

SILYNX

TACTICAL

# CLARUS™

SMART TACTICAL HEADSET SYSTEM

MARCH 2014



## OVERVIEW

CLARUS is the world's smallest and lightest tactical headset system. The CLARUS simplifies the user's operation and accessibility to the PTT switches on the miniaturized control unit.

CLARUS provides passive and steady state noise control, with electronic hear-thru, in both noisy and normal environments. It provides intercom interoperability, clear communications, and sound localization for full situational awareness.

**SMART** - High impact noise protection

**VERSATILE** - Supports full duplex radio and dual radio capabilities

**EASY** - Voice prompt feedback

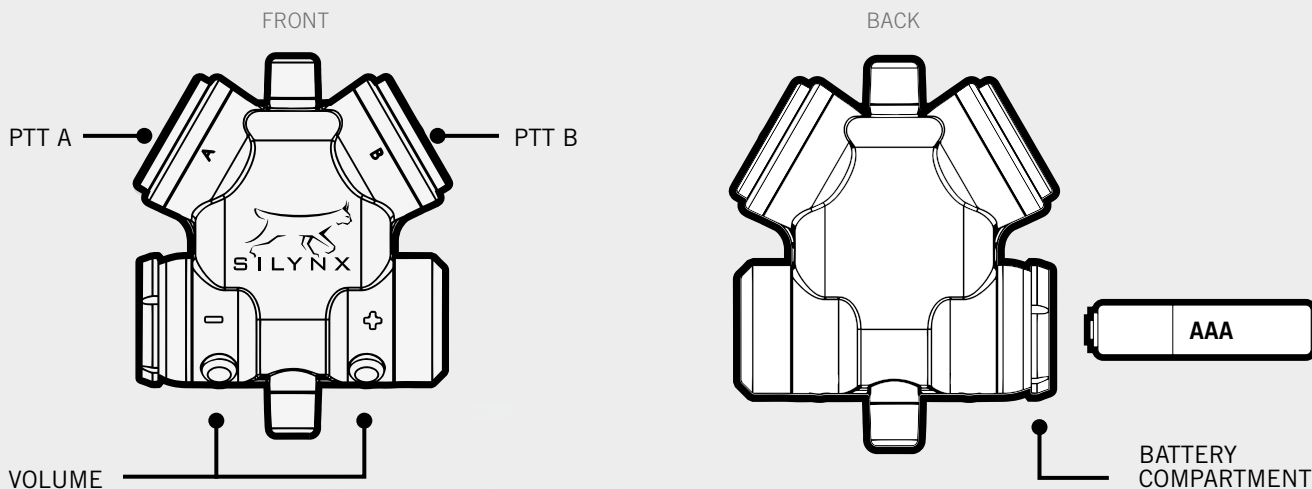
**TOUGH** - Light weight, 20m immersible, and highly durable



1.866.572.6950 | [info@silynxcom.com](mailto:info@silynxcom.com)  
9901 Belward Campus Drive Suite 150 Rockville, MD 20850 USA  
[www.silynxcom.com](http://www.silynxcom.com)

# SYSTEM

CLARUS Smart Tactical Headset System



## TECH SPECS

### Acoustical Response

Speaker Frequency Spectrum..... 60 Hz to 10,000 Hz  
 Sound Pressure Level..... > 115 dB  
 Max Audio Input Level..... 3Vp-p  
 Microphone Frequency Range..... 60 Hz to 9,000 Hz  
 Audio Input Type..... Single-ended or Differential  
 Audio Output Level..... > 3mVrms, 600Ω

### Hear-Thru System

Impulse Noise Protection  
 Extended Sound Localization

### PC Programmer

OS Support..... MS Windows XP, Vista and 7  
 Interface..... USB, Serial

### Battery Life Expectancy

Internal..... 40 Hours AAA  
 Powered from radio at 5V, 8mA

### Environmental

Operating Temperature..... -40°C to +72°C  
 Storage Temperature..... -40°C to +72°C  
 Humidity..... 95%  
 Immersion (Control Box)..... 20m for 2hr  
 Immersion (In-Ear Headset)..... 1m for 30min

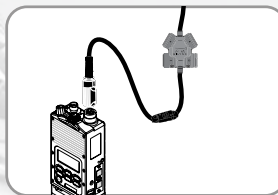
*Tested to MIL-STD-810F*

### Dimensions

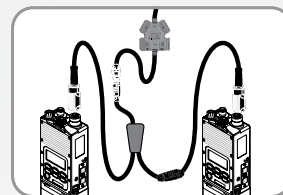
Control Box ..... 2.2in (W) x 2.1in (L) x 1.1in (H)

### Weight

Control Box..... 115g (excluding battery)  
 Headset..... 41g



Single lead interchangeable radio connection



Dual radio config interchangeable radio connection

*\*Specifications are subject to change without notice.*

