



CLPe Series User Guide

JUNE 2023

© 2023 Motorola Solutions, Inc. All rights reserved



MN006179A01-AE

Contents

Intellectual Property and Regulatory Notices.....	5
Batteries, Chargers, and Audio Accessories Safety Information.....	6
Operational Safety Guidelines.....	6
Acoustic Safety.....	6
FCC Licensing Information.....	8
Supplier's Declaration of Conformity.....	9
Radio Frequency Exposure Safety Standards.....	10
Notice to Users.....	11
Canada Licensing Information.....	12
Introduction.....	13
Package Content.....	13
Chapter 1: Radio Overview.....	14
Chapter 2: Getting Started.....	15
2.1 Installing the Battery.....	15
2.2 Connecting Wired Audio Accessory.....	15
2.3 Turning the Radio On or Off.....	17
2.4 Adjusting the Volume.....	17
2.5 Inserting and Removing the Swivel Belt Clip Holster.....	17
2.6 Transmitting and Receiving.....	18
2.6.1 Talk Range.....	19
2.7 Menu Setting.....	19
2.7.1 Operations Using Menu Settings.....	19
2.8 Selecting Channels.....	20
2.8.1 Default Channel Settings for CPS.....	20
2.8.2 LED Indicators.....	21
2.8.2.1 Volume LED.....	21
2.9 Monitoring Channels.....	21
2.10 Scan.....	22
2.10.1 Scanning Radio Channels.....	22
2.11 Dynamic Talkaround Scan.....	22
2.12 Sending Call Tones.....	22
2.13 Muting the Radio.....	23
2.14 Escalate Call.....	23
Chapter 3: Battery and Charger.....	24
3.1 Battery Specifications.....	24

3.2 Battery Life.....	24
3.3 Battery Recycling and Disposal.....	24
3.4 Removing the Lithium-Ion Battery.....	24
3.5 Power Supply, Adapter, and Drop-in Tray Charger.....	25
3.6 Stand-Alone Battery.....	26
3.6.1 Charging a Stand-Alone Battery with the Drop-in Tray SUC.....	27
3.6.2 Charging a Stand-Alone Battery with the Drop-in Tray MUC- Optional Accessory.....	27
3.6.3 Estimated Charging Time.....	27
3.7 Charging Radio with the Drop-in Tray SUC.....	27
3.8 Charging with the Drop-In Tray MUC-Optional Accessory.....	28
3.9 Charger LED Indications.....	29
3.10 Checking Battery Status.....	29
Chapter 4: Radio Programming through CPS.....	31
4.1 Programming the Radio.....	31
4.2 Factory Default Settings.....	32
Chapter 5: Radio Cloning.....	34
5.1 Cloning Radio Settings.....	34
5.2 Cloning Radios using the Cloning Cable.....	34
5.3 Cloning Radios using the Multi-Unit Charger.....	35
5.4 Troubleshooting Cloning Mode.....	36
Chapter 6: Advanced Radio Configuration.....	37
6.1 Entering Advanced Radio Configuration Mode.....	37
Chapter 7: Troubleshooting.....	38
7.1 Symptom and Solutions.....	38
Chapter 8: Use and Care.....	41
Chapter 9: Radio Frequency and Code Chart.....	42
9.1 Canada Frequency List and Bandwidth.....	42
9.2 CLP Frequencies	42
9.3 CTCSS/DPL Interference Eliminator Codes.....	43
Chapter 10: Motorola Solutions Limited Warranty for the United States and Canada.....	47
10.1 Warranty.....	47
10.2 Products and Accessories.....	47
10.3 Exclusions.....	47
10.4 Software.....	48
10.5 Warranty Coverage.....	49
10.6 Warranty and Service Support.....	49
10.7 Retain Your Original Proof of Purchase.....	49

10.8 How to Obtain Warranty Service or Other Information.....	49
10.9 Software Copyrights Notice.....	49
10.10 Patent Notice.....	50
10.11 Export Law Assurances.....	50
Chapter 11: Accessories.....	51

Intellectual Property and Regulatory Notices

Copyrights

The Motorola Solutions products described in this document may include copyrighted Motorola Solutions computer programs. Laws in the United States and other countries preserve for Motorola Solutions certain exclusive rights for copyrighted computer programs. Accordingly, any copyrighted Motorola Solutions computer programs contained in the Motorola Solutions products described in this document may not be copied or reproduced in any manner without the express written permission of Motorola Solutions.

No part of this document may be reproduced, transmitted, stored in a retrieval system, or translated into any language or computer language, in any form or by any means, without the prior written permission of Motorola Solutions, Inc.

Trademarks

MOTOROLA, MOTO, MOTOROLA SOLUTIONS, and the Stylized M Logo are trademarks or registered trademarks of Motorola Trademark Holdings, LLC and are used under license. All other trademarks are the property of their respective owners.

License Rights

The purchase of Motorola Solutions products shall not be deemed to grant either directly or by implication, estoppel or otherwise, any license under the copyrights, patents or patent applications of Motorola Solutions, except for the normal non-exclusive, royalty-free license to use that arises by operation of law in the sale of a product.

Open Source Content

This product may contain Open Source software used under license. Refer to the product installation media for full Open Source Legal Notices and Attribution content.

European Union (EU) and United Kingdom (UK) Waste of Electrical and Electronic Equipment (WEEE) Directive



The European Union's WEEE directive and the UK's WEEE regulation require that products sold into EU countries and the UK must have the crossed-out wheeled bin label on the product (or the package in some cases). As defined by the WEEE directive, this crossed-out wheeled bin label means that customers and end-users in EU and UK countries should not dispose of electronic and electrical equipment or accessories in household waste.

Customers or end-users in EU and UK countries should contact their local equipment supplier representative or service centre for information about the waste collection system in their country.

Disclaimer

Please note that certain features, facilities, and capabilities described in this document may not be applicable to or licensed for use on a specific system, or may be dependent upon the characteristics of a specific mobile subscriber unit or configuration of certain parameters. Please refer to your Motorola Solutions contact for further information.

© 2023 Motorola Solutions, Inc. All Rights Reserved

Batteries, Chargers, and Audio Accessories Safety Information

This document contains important safety and operating instructions. Read these instructions carefully and save them for future reference. Before using the battery charger, read all the instructions and cautionary markings on:

- the charger
 - the battery
 - the radio attached with battery
- 1 To reduce risk of injury, charge only the rechargeable Motorola Solutions-authorized batteries. Charging the other batteries may cause explosion, personal injury, and damage.
 - 2 Use of accessories not recommended by Motorola Solutions may result in fire, electric shock, or injury.
 - 3 To reduce damage to the electric plug and cord, pull by plug rather than the cord when disconnecting the charger.
 - 4 An extension cord should not be used unless necessary. Use of an improper extension cord may result in fire and electric shock. If an extension cord must be used, make sure that the cord size is 18 AWG for lengths up to 2.0 m (6.5 feet), and 16 AWG for lengths up to 3.0 m (9.8 feet).
 - 5 Do not operate the charger if it has been broken or damaged in any way. Take it to any qualified Motorola Solutions service representatives.
 - 6 Do not disassemble the charger; it is not repairable and replacement parts are not available. Disassembly of the charger may result in risk of electrical shock or fire.
 - 7 To reduce risk of electric shock, unplug the charger from the AC outlet before attempting any maintenance or cleaning.

Operational Safety Guidelines

- Turn off the radio while charging.
- The charger is not suitable for outdoor. Use only in dry locations or conditions.
- Disconnect charger from line voltage by removing main plug.
- Connect the equipment to an outlet which is easy to access and near.
- For equipment using fuses, replacements must comply with the type and rating specified in the equipment instructions.
- Maximum ambient temperature around the power supply equipment must not exceed 40 °C (104 °F).
- Power output from the power supply unit must not exceed the ratings stated on the product label located at the bottom of the charger.
- Make sure the cord is not stepped on, tripped over, subjected to water, damage, or stress.

Acoustic Safety



CAUTION: Exposure to loud noises from any source for extended periods of time may temporarily or permanently affect your hearing. The louder the radio volume, the less time is required before your hearing can be affected. Hearing damage from loud noises is sometimes undetectable at first and can have a cumulative effect.

To protect your hearing:

- Use the lowest volume necessary to do your job.
- Increase the volume only if you are in noisy surroundings.
- Reduce the volume before connecting headset or earpiece.
- Limit the amount of time you use headsets or earpieces at high volume.
- If you experience hearing discomfort, ringing in your ears, or speeches that are muffled, you should stop listening to your radio through your headset or earpiece, and have your hearing checked by your doctor.

FCC Licensing Information

This device complies with Parts 90 and 15 of the Federal Communications Commission (FCC) Rules.

Operation is subject to the condition that this device does not cause harmful interference. The radio operates on radio frequencies that are regulated by the Federal Communications Commission (FCC). To transmit on these frequencies, you are required to have a license issued by the FCC. Application is made available on FCC Form 601 and Schedules D, H, and Remittance Form 159.

To obtain these FCC forms, request document 000601 which includes all forms and instructions. If you wish to have the document faxed, mailed, or have questions, use the following contact information.

Fax

Contact the Fax-On-Demand system at 1-202-418-0177

Mail

Call the FCC forms hotline at 1-800-418-FORM or 1-800-418-3676

Contact

For questions regarding FCC license, contact 1-888-CALL-FCC, 1-888-225-5322, or <http://www.fcc.gov>.

Before filling out your application, you must decide which frequency you can operate on. For questions on determining the radio frequency, call Motorola Solutions Product Services at: 1-800-448- 6686. Changes or modifications not expressly approved by Motorola Solutions may void the user authority granted by the FCC to operate this radio and should not be made. To comply with FCC requirements, transmitter adjustments should be made only by or under the supervision of a person certified as technically qualified to perform transmitter maintenance and repairs in the private land mobile and fixed services as certified by an organization representative of the user of those services.

Replacement of any transmitter component such as crystal, semiconductor, and others not authorized by the FCC equipment authorization for this radio could violate FCC rules.



NOTE: Use of this radio outside the country where it was intended to be distributed is subject to government regulations and may be prohibited.

Supplier's Declaration of Conformity

Supplier's Declaration of Conformity
Per FCC CFR 47 Part 2 Section 2.1077(a)



Responsible Party

Name: Motorola Solutions, Inc.

Address: 2000 Progress Pkwy, Schaumburg, IL. 60196

Phone Number: 1-800-927-2744

Hereby declares that the product:

Model Name: **CLP1010e/CLP1080e/CLP1013e/CLP1083e**

conforms to the following regulations:

FCC Part 15, subpart B, section 15.107(a), 15.107(d), and section 15.109(a)

Class B Digital Device

As a personal computer peripheral, this device complies with Part 15 of the FCC Rules. Operation is subject to the following two conditions:

- 1 This device may not cause harmful interference, and
- 2 This device must accept any interference received, including interference that may cause undesired operation.



NOTE:

This equipment has been tested and found to comply with the limits for a Class B digital device, pursuant to part 15 of the FCC Rules. These limits are designed to provide reasonable protection against harmful interference in a residential installation. This equipment generates, uses and can radiate radio frequency energy and, if not installed and used in accordance with the instructions, may cause harmful interference to radio communications. However, there is no guarantee that interference will not occur in a particular installation.

If this equipment does cause harmful interference to radio or television reception, which can be determined by turning the equipment off and on, the user is encouraged to try to correct the interference by one or more of the following measures:

- Reorient or relocate the receiving antenna.
- Increase the separation between the equipment and receiver.
- Connect the equipment into an outlet on a circuit different from that to which the receiver is connected.
- Consult the dealer or an experienced radio or TV technician for help.

Radio Frequency Exposure Safety Standards

Product Safety and RF Exposure Compliance.



CAUTION:

Before using the radio, read the operating instructions for safe usage contained in the Product Safety and RF Exposure booklet contained with your radio.

ATTENTION!

This radio is restricted to Occupational use only to satisfy FCC RF energy exposure requirements. Before using the radio, read the RF Energy Exposure and Product Safety Guide for Portable Two-Way Radios which contains important operating instructions for safe usage and RF energy awareness and control for Compliance with applicable standards and Regulations.

For a list of Motorola Solutions-approved antennas, batteries, and other accessories, visit the following website:


<http://www.motorolasolutions.com/CLP>

Under Industry Canada regulations, this radio transmitter may only operate using an antenna of a type and maximum (or lesser) gain approved for the transmitter by Industry Canada. To reduce potential radio interference to other users, the antenna type and its gain should be so chosen that the equivalent isotropically radiated power (e.i.r.p.) is not more than that necessary for successful communication.

This radio transmitter has been approved by Industry Canada to operate with Motorola Solutions-approved antenna with the maximum permissible gain and required antenna impedance for each antenna type indicated. Antenna types not included in this list, having a gain greater than the maximum gain indicated for that type, are strictly prohibited for use with this device.

Notice to Users

This device complies with Part 15 of the FCC rules per the following conditions:

- This device may not cause harmful interference.
- This device must accept any interference received, including interference that may cause undesired operation.
-  **CAUTION:** Changes or modifications made to this device, not expressly approved by Motorola Solutions, could void the authority of the user to operate this equipment.

Canada Licensing Information

Notice to Users (Industry Canada)

The operation of your Motorola Solutions radio is subject to the Radiocommunications Act and must comply with rules and regulations of the Federal Government's department of Industry Canada. Industry Canada requires that all operators using Private Land Mobile frequencies obtain a radio license before operating their equipment.

The License Application

- 1 Fill in the items as per the instructions. If you need additional space for any item use the reverse side of the application.
- 2 Be sure to print legibly
- 3 Make a copy for your files.
- 4 Prepare a cheque or money made out to the "Receiver General for Canada", for an amount, which is on the following schedule, for each radio purchased. (License is renewed on April 1st each year, and issued for a period of 12 months).
- 5 Mail your completed application, along with your cheque or money order to the closest Industry Canada District office, according to the list on pages.

To obtain the latest Canadian License Application form, please go to http://www.ic.gc.ca/ic_wp-pa.htm.

Introduction

This user guide covers the operation of your radios.

Your dealer or system administrator may have customized your radio for your specific needs. Check with your dealer or system administrator for more information.

You can consult your dealer or system administrator about the following:

- Is your radio programmed with any preset conventional channels?
- Which buttons have been programmed to access other features?
- What optional accessories may suit your needs?
- What are the best radio usage practices for effective communication?
- What maintenance procedures that helps promote longer radio life?

Package Content

This section provides information regarding package content for the radio.

Your product package contains the following products and manuals:

- CLP Series Two-way Radio
- Swivel Belt Clip Holster
- Lithium-Ion Battery and Battery Door
- Drop-In Tray Charger with Transformer¹
- Audio Accessory²
- Audio Jack Cover
- Quick Start Guide, Chargers Instructions Leaflet, RF Safety Booklet

For product information, refer to <https://learning.motorolasolutions.com>.

For product related questions, contact the followings:

- 1-800-448- 6686 in the USA
- 1-800-461-4575 in Canada
- 1-866-522-5210 on your TTY (Text Telephone)

This user guide covers the following models:

Model	Frequency Band	Transmit Power	Repeater Compatibility	No. of Channels
CLP1010e	UHF	1 W	Yes	1
CLP1080e				8
CLP1013e				1
CLP1083e				8

¹ Applicable to non-bulk models only.

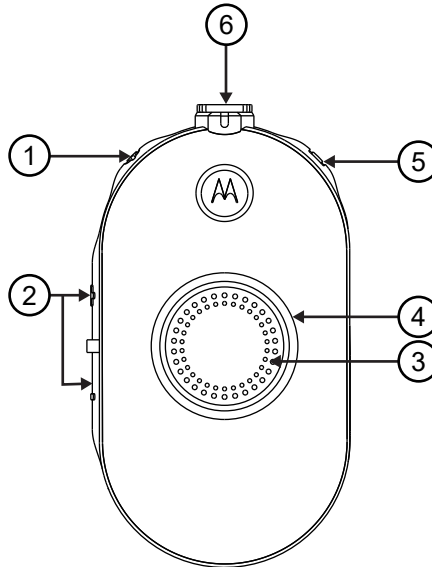
² Applicable to non-bulk models only.

Chapter 1

Radio Overview

This chapter explains the buttons and functions of the radio.

Figure 1: Radio Controls



Item Number	Description
1	Power and Battery button
2	Volume Control (+/-) and Mute button
3	Push-to-Talk (PTT) button
4	Smart Status Glow Ring
5	Menu button
6	Accessory Connector

Chapter 2

Getting Started

This section helps you to get familiar with the basic operations of the radio.

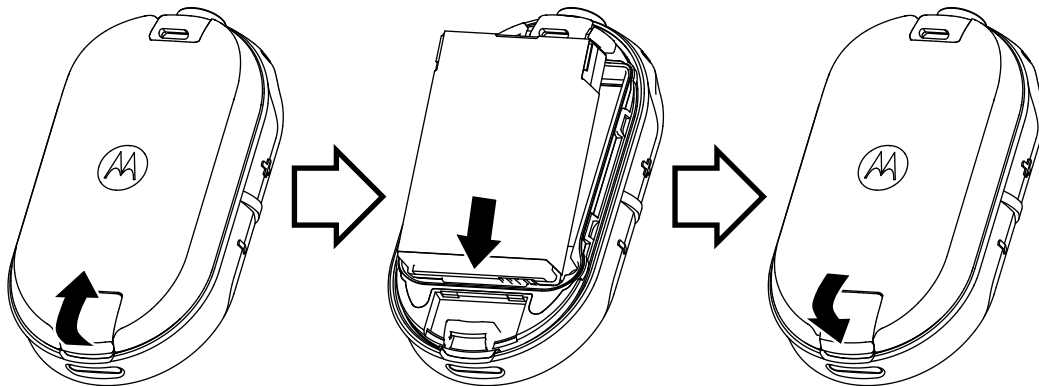
2.1

Installing the Battery

Procedure:

- 1 At the bottom of the battery door, lift the latch up and remove the battery door of the radio.
- 2 Align the battery contacts to the tabs of the battery compartment.
- 3 Insert the end with the battery contacts before pressing the battery down to secure in place.
- 4 Place the battery door on the radio and push the latch down to lock the battery door.

Figure 2: Battery Installation



2.2

Connecting Wired Audio Accessory

Prerequisites: Turn the radio off.

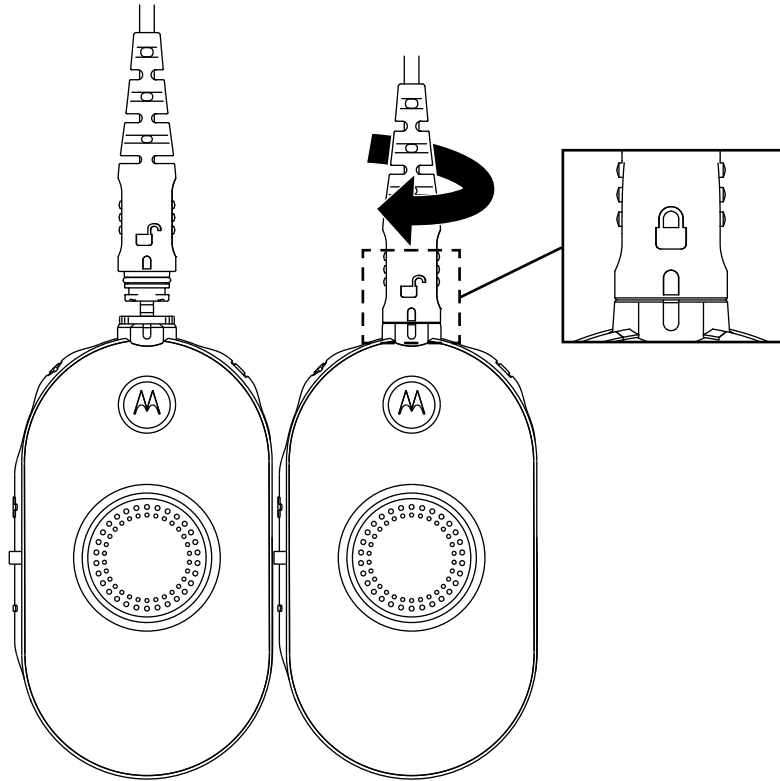
Procedure:

- 1 Plug the audio accessory into the radio with the unlock icon on the audio accessory facing the front of the radio.

Ensure the indicator on the audio accessory and the radio is aligned.


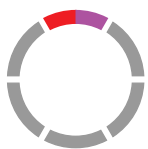
- 2 Turn the audio accessory plug until the lock icon on the plug is facing the front of the radio and the indicators are aligned.

Figure 3: Connecting Wired Audio Accessory



- 3 Turn the radio on.
- 4 To check for audio through the audio accessory, press either the **Battery Status**, **Menu**, or **Volume Control** button.

Table 1: Top LED Configuration if Wired Audio Accessory is not Connected or Removed

User Mode	LED Status	Color
Turn on radio without an audio accessory plugged in.	Solid Blue	
Audio accessory removed while radio is on.	Red/purple blinks until an audio accessory is plugged in	



NOTE:

Lower the radio volume before placing the audio accessory in or near your ear.

The CLP Series radios offer various audio accessories. For detailed audio accessories list, refer to <http://www.motorolasolutions.com/CLP> for information on approved accessories.

2.3

Turning the Radio On or Off

Procedure:

- 1 To turn on the radio, press and hold the **Power** and **Battery** button until you hear a short tone and the Smart Status Glow Ring illuminates.
- 2 To turn off the radio, press and hold the **Power** and **Battery** button until you hear a short tone and the Smart Status Glow Ring indicator blinks once.

2.4

Adjusting the Volume

Procedure:

- 1 To increase the volume, press the **+** button.



NOTE: Radio has 15 increments of volume.

- 2 To decrease the volume, press the **-** button.

2.5

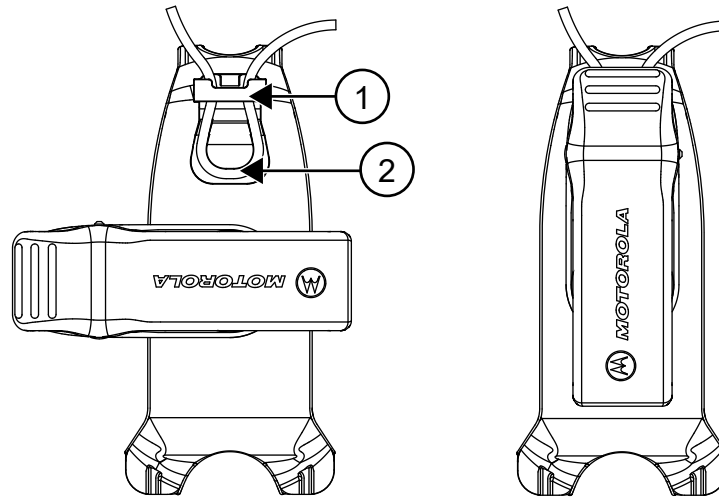
Inserting and Removing the Swivel Belt Clip Holster

The radios offer various flexible carrying accessories. For Motorola Solutions approved accessories list, refer to <http://www.motorolasolutions.com/CLP>.

Procedure:

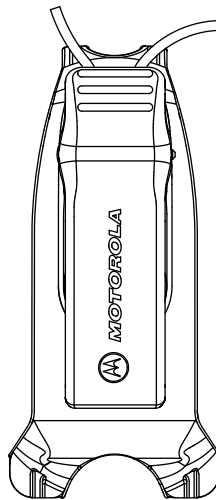
- 1 To insert the radio into the holster, perform the following steps:
 - a Slide the bottom of the radio into the holster.
 - b Snap the top of the holster into the radio around the accessory connector.
- 2 To remove radio from the holster, pull either the top or bottom tab and pull the radio from the holster.
- 3 Make a small loop in the cord and pass the cord through the cord guide. Nest the cord in the U-shaped groove and pull tight to lock the cord in place.

Figure 4: Swivel Belt Clip Holster



Item Number	Description
1	Cord Guide
2	U-Shaped Groove

- 4 Turn the belt clip to the position as needed.



2.6

Transmitting and Receiving

Procedure:

- 1 To transmit calls, perform one of the following actions:
 - Press and hold the **PTT** button on the front of the radio.
 - Press and hold the **PTT** button on the wired audio accessory with the inline **PTT** button.
- 2 Speak clearly into the microphone on the audio accessory.
- 3 Release the **PTT** button to listen.

- 4 To receive calls, listen through the earpiece and press the **PTT** button to respond.

2.6.1

Talk Range

Table 2: Talk Range

Application	Industrial (Inside steel/concrete industrial buildings)	Multi-Level (Inside multi-level buildings)
Unit to Unit	Up to 100,000 ft ² (9,200 m ²)	Up to 10 floors
With Repeater	Up to 250,000 ft ² (23,200 m ²)	Up to 20 floors

2.7

Menu Setting

Procedure:

- 1 To navigate through the menu settings, press the **Menu** button.
- 2 To exit the menu, short press the **PTT** button or wait for three seconds.

2.7.1

Operations Using Menu Settings

This section explains operations using the menu settings.



NOTE:

It is not necessary to wait for the voice prompt to be completed before continuing with pressing the next button.

If you are in the menu mode, short press **PTT** or wait 3 seconds to exit the menu.

Procedure:

- 1 Changing channel:
 - a Press **Menu** button to navigate to **Channel**.
 - b Press the **+** or the **-** button to change channel.
- 2 Entering Monitor Mode:
 - a Press **Menu** button to navigate to **Monitor**.
 - b Press the **+** to activate or the **-** button to deactivate monitor.
- 3 Entering Scan Mode:
 - a Press **Menu** button to navigate to **Scan**.
 - b Press the **+** to activate or the **-** button to deactivate scan.
- 4 Sending Call Tone:

Enabled through Customer Programming Software (CPS).

 - a Press **Menu** button to navigate to **Call Tone**.
 - b Press the **+** or the **-** button to send call tone.

2.8 Selecting Channels







Procedure:




- 1 Press the **Menu** button.
 You hear a voice prompt to change channel by pressing the **+** or **-** button.
- 2 Select the required channel.
 The LED indicates the color of the new channel.
- 3 Press the **PTT** button to confirm or the channel is activated after three seconds hang time.

2.8.1 Default Channel Settings for CPS

The table describes the default channel settings for Customer Programming Software (CPS).

Table 3: Channel Settings for CPS

CLP1010e & CLP1013e Single-Channel Models			CLP1080e & CLP1083e Multi-Channel Models		
Channel	LED Status	Color	Channel	LED Status	Color
1		Red	1		Red
			2		Green
			3		Yellow
			4		Blue
			5		Purple

CLP1010e & CLP1013e Single-Channel Models			CLP1080e & CLP1083e Multi-Channel Models		
Channel	LED Status	Color	Channel	LED Status	Color
			6		White
			7		Aqua
			8		Orange

2.8.2

LED Indicators

Feature	LED Indicator
Monitor mode	Solid per channel color.
Call tone	Momentary solid per channel color.
Scan	Cycles through in clockwise direction with one LED lighting up at one time. LED color changes on the top slot when each cycle is completed.
Turn on or off	Top red and the remaining white LED illuminates briefly.
Advanced radio configuration	Blinking green.

2.8.2.1

Volume LED

When volume is increased, Smart Status Glow Ring LED lights up in a clockwise direction from the bottom left to the bottom right of the LED ring.

The followings are the three levels of LED brightness for each LED when volume is increased:

- Dim
- Medium
- Maximum brightness

2.9

Monitoring Channels

This feature allows you to ensure that a channel is free before transmitting. When enabled, the radio overrides all programmed code settings and allows the receiver to listen in on any frequency. On a clear frequency, you can hear a hiss. If a frequency is in use, you can hear the broadcast.

Procedure:

- 1 To activate the monitor selection mode, press the **Menu** button and navigate to **Monitor Selection**.
If the monitor is off, you hear a voice prompt to activate the monitor mode by pressing either **+** or **-** button.
- 2 Press either **+** or **-** button to activate or deactivate the monitor mode.
When the monitor mode is on, you hear static if no activity is present or audio if channel activity is present.
- 3 To engage the monitor mode, enable monitor through the menu and let the menu time out.
- 4 To exit the **Monitor** mode, press the **PTT** button.

2.10

Scan

You can scan up to eight channels on CLP1080e and CLP1083e models.

When the radio detects activity, it stops scanning and locks in on the active channel. This allows you to listen and talk to the person transmitting without changing channels.

2.10.1

Scanning Radio Channels

Procedure:

- 1 To navigate to Scan mode, press the **Menu** button.
If the scan is off, you hear a voice prompt to activate Scan by pressing either **+** or **-** button.
- 2 To activate scan, press either **+** or **-** button.
When scan is on, you hear a voice prompt to deactivate Scan by pressing the **+** or **-** button.
- 3 To deactivate scan, press either **+** or **-** button.

2.11

Dynamic Talkaround Scan

This feature maximizes communication coverage for an on-site repeater enabled on two way radio systems.

Dynamic talkaround scan is enabled on a repeater channel through the Customer Programming Software (CPS). The feature gives the radio the ability to scan the transmit and receive frequencies of a repeater channel.



NOTE: The feature is given higher priority than the scan mode. If the dynamic talkaround scan and scan are enabled on the home channel, then the radio can only support the dynamic talkaround scan.

2.12

Sending Call Tones

Procedure:

- 1 To navigate to **Call Tone**, press the **Menu** button.

- 2 To transmit a selected call tone, press either **+** or **-**.



NOTE:

Six call tones are available.

This feature is enabled through Customer Programming Software (CPS).

2.13

Muting the Radio

The mute function cuts off the speaker on your radio.

Procedure:

- 1 To lower or mute the volume, press and hold either **+** or **-** button.
You hear a "Mute" voice prompt from the radio.
- 2 To unmute the volume, press any button.
You hear an "Unmute" voice prompt from the radio.

2.14

Escalate Call

Escalate Call feature allows you to switch to Escalate Call Channel and send a call tone on the Escalate Call Channel.

To enable the Escalate Call feature, Escalate Call Channel must be configured in Customer Programming Software (CPS). Long press menu button activates the Escalate Call feature and automatically send as Escalate Call Tone on the Escalate Call Channel. The Escalate Call Hangtime starts after every call ends. The radio stays in Escalate Call Hangtime for a predefined period. Escalate Call ends when the hangtime expires and the radio returns to the previous channel. The hangtime is configured through CPS.

Pressing the **PTT** button during Escalate Call Hangtime allows you to talk on the channel. Escalate Call Hangtime restarts after the voice call is ended and you can receive calls from other radios on the Escalate Call Channel.

Your radio follows the selected channel behavior except the call tone and no channel announcement upon switching to Escalate Call Channel. The call tone is configured through CPS by selecting one of the six call tones.

To exit Escalate Call Channel before hangtime expires, short press either **On**, **Off**, **Menu** button, or long press **Menu** button.

Chapter 3

Battery and Charger

This chapter describes the battery and charger feature for the radio.

3.1

Battery Specifications

The radio comes equipped with a rechargeable Lithium-Ion battery. To ensure optimum capacity and performance, the battery should be charged before initial use.

Battery life is determined by several factors. The critical ones are overcharging of batteries and the average depth of discharge each cycle. The greater the overcharge and the deeper the average discharge, the fewer cycles a battery lasts. A battery which is overcharged and discharged 100 % for several times a day, lasts fewer cycles than a battery that overcharges less and is discharged to 50 % per day. Battery with minimal overcharge and has an average of 25 % discharge, lasts even longer.

Motorola Solutions batteries are designed specifically to be used with a Motorola Solutions charger and vice versa. Charging batteries with non-Motorola Solutions equipment may lead to battery damage and void the battery warranty. Whenever possible, maintain the battery temperature to 77 °F (25 °C) (room temperature). Charging a cold battery (below 50 °F [10 °C]) may result in leakage of electrolyte and ultimate failure of the battery. Charging a hot battery (above 95 °F [35 °C]) results in reducing discharge capacity and affecting the performance of the radio. Motorola Solutions rapid-rate battery chargers contain a temperature-sensing circuit to ensure that batteries are charged within the temperature limits.

3.2

Battery Life

The estimated battery life is 18 hours based on 5 % transmit, 5 % receive, and 90 % standby (standard duty cycle).

3.3

Battery Recycling and Disposal

Lithium-ion rechargeable batteries can be recycled. However, recycling facilities may not be available in all areas. Under various U.S. state laws and the laws of several other countries, batteries must be recycled and cannot be disposed of in landfills or incinerators. Contact your local waste management agency for specific requirements and information in your area. Motorola Solutions fully endorses and encourages the recycling of Lithium-Ion batteries.

In the U.S. and Canada, Motorola Solutions participates in the nationwide Call2Recycle program for battery collection and recycling. Many retailers and dealers participate in this program. For the location of the drop-off facility closest to you, access Call2Recycle's Internet web site at <https://www.call2recycle.org/> or call 1-800-8-BATTERY. The internet site and telephone number also provide other useful information concerning recycling options for consumers, businesses, and governmental agencies.

3.4

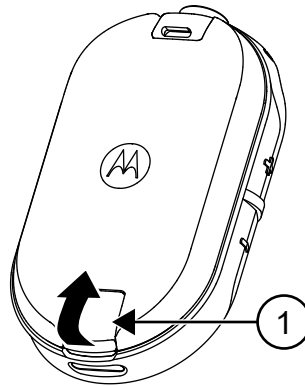
Removing the Lithium-Ion Battery

Prerequisites: Ensure the radio is turned off.

Procedure:

- 1 At the bottom of the battery door, lift the latch up and remove the battery door of the radio.
- 2 Pull the battery away from the radio.

Figure 5: Battery Removal



Item Number	Description
1	Battery Latch

3.5

Power Supply, Adapter, and Drop-in Tray Charger

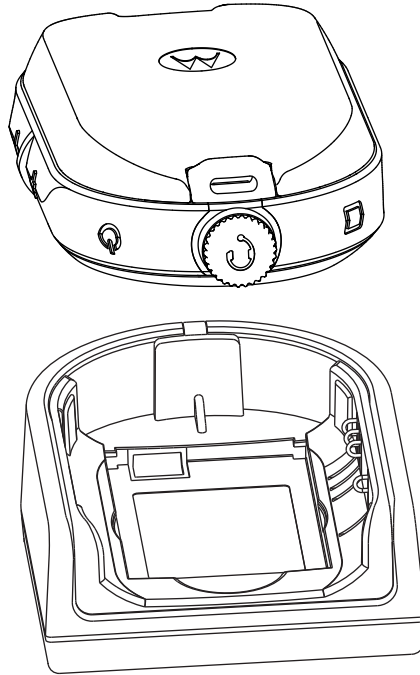
The radio is packaged with one Drop-in Tray Charger with a transformer.



NOTE: Applicable to non-bulk models only.

For information on accessories, see [Accessories on page 51](#).

Figure 6: Power Supply, Adapter, and Drop-in Tray Charger



3.6

Stand-Alone Battery

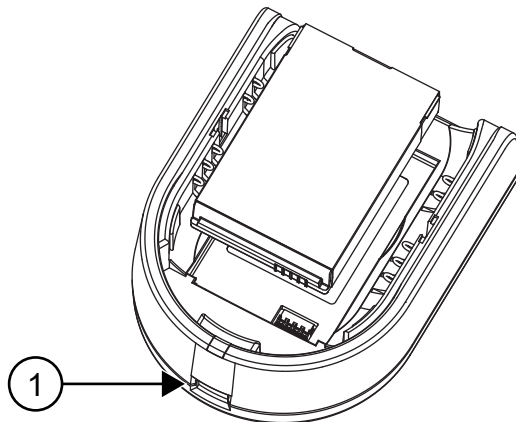
The battery can be charged as a stand-alone battery.

The battery is charged by using either a Single Unit Charger (SUC) or a Multi-Unit Charger (MUC).



NOTE: When acquiring additional chargers or power supplies, ensure that you have a similar drop-in tray chargers and power supplies sets. For more information on accessories, see [Accessories on page 51](#).

Figure 7: Stand-Alone Battery



Item Number	Description
1	Micro-USB port

3.6.1

Charging a Stand-Alone Battery with the Drop-in Tray SUC

Procedure:

- 1 To charge the battery, insert the connector of the power supply into the micro Universal Serial Bus (USB) port on the front of the drop-in tray charger.
- 2 Connect the power supply to a proper AC outlet.
- 3 Insert the battery into the tray, with the inside surface of the battery facing the front of the charger. See [Stand-Alone Battery on page 26](#).
- 4 Ensure that the slots in the battery are correctly engaged in the charger.

3.6.2

Charging a Stand-Alone Battery with the Drop-in Tray MUC-Optional Accessory

Procedure:

- 1 Place the charger on a flat surface or mount it on the wall.
- 2 Insert the power cord plug into the jack on the MUC.
- 3 Plug the cord into an AC outlet and then into the charger.
- 4 Insert the battery into the charging pocket with the inside surface of the battery facing the front of the charger.
- 5 Ensure that the slots in the battery are correctly engaged in the charger.

3.6.3

Estimated Charging Time

The following tables provide the estimated charging time of the battery.

Table 4: Estimated Charging Time

Charging Solution	High Capacity Lithium-Ion Battery
Single Unit Charger	5.5 hours
Multi-Unit Charger	4 hours

3.7

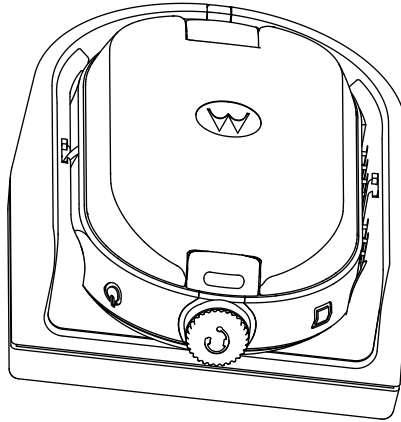
Charging Radio with the Drop-in Tray SUC


Procedure:

- 1 Place the drop-in Tray Single Unit Charger (SUC) on a flat surface.
- 2 Insert the connector of the power supply into the Micro USB port on the front of the drop-in tray charger.
- 3 Connect the correct power supply to a proper AC outlet.

- 4 Insert the radio with battery installed into the tray, facing down and making sure that the charging contacts on the charger are aligned with the contacts on the radio.

Figure 8: Charging Radio



 **NOTE:** When charging a battery attached to radio, ensure that the radio is turned off. You can enable or disable the radio to automatically turn off when radio is inserted into the charger feature through Customer Programming Software (CPS).


3.8

Charging with the Drop-In Tray MUC-Optional Accessory

The Multi-Unit Charger (MUC) allows drop-in charging of up to six radios. Each of the six charging pockets can hold a radio with a battery installed. The MUC provides pockets for headset storage.

Procedure:

- 1 Place the charger on a flat surface or mount it on the wall.
- 2 Insert the power cord plug into the jack on the MUC.
- 3 Plug the cord into an AC outlet and then into the charger.
- 4 Turn off the radio.

 **NOTE:** When charging a battery attached to radio, ensure that the radio is turned off. You can enable or disable the radio to automatically turn off when radio is inserted into the charger feature through Customer Programming Software (CPS).

- 5 Insert the radio facing down with battery installed into the charging pocket, ensuring that the radio contacts are aligned with the MUC contacts.


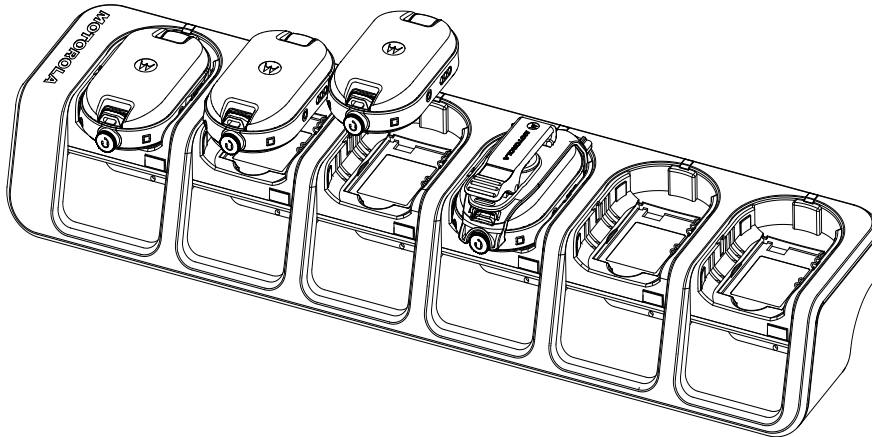
 **NOTE:** The battery charges on its own by using the slot on the flat surface of the charging pocket.

Figure 9: Charging Radios



3.9

Charger LED Indications

On the drop-in charger, the radio charging pocket has an LED Charger.





On the Multi-Unit Charger (MUC), each of the six charging pockets has an LED. The LEDs are grouped into pairs to indicate which charging pockets are paired.



NOTE: You can clone up to two source radios and two target radios using MUC. For more information on cloning, see [Radio Cloning on page 34](#).

For part number details, see [Accessories on page 51](#).

Table 5: Charger LED Indicator

Status	LED Indication	
Battery is charging	Steady Red	
Battery is fully charged	Steady Green	
Battery Fault ³	Blinking Red	
 NOTE: The LED is red when the battery is charging. It turns green once the battery is fully charged.		

3.10

Checking Battery Status





Procedure:

Short press and release the **Power** and **Battery** button.

³ Re-seat the battery pack to correct the faulty battery issue.

The Smart Status Glow Ring and Voice Assisted Operation features show the radio battery status.

Table 6: Battery Status

Battery Level	LED Indication	Color
High (50 – 100 %)		Green
Medium (20 – 50 %)		Yellow
Low (3 – 20 %)		Red
Critical (0 – 3 %)		Blinking Red

The radio returns to the current channel color after indicating the battery status.

Chapter 4

Radio Programming through CPS

You can program or change features on your radios by using the Customer Programming Software (CPS) and the CPS Programming Cable.

CPS is available for free as web based downloadable software at <http://www.motorolasolutions.com/CLP>.

4.1

Programming the Radio

Prerequisites:

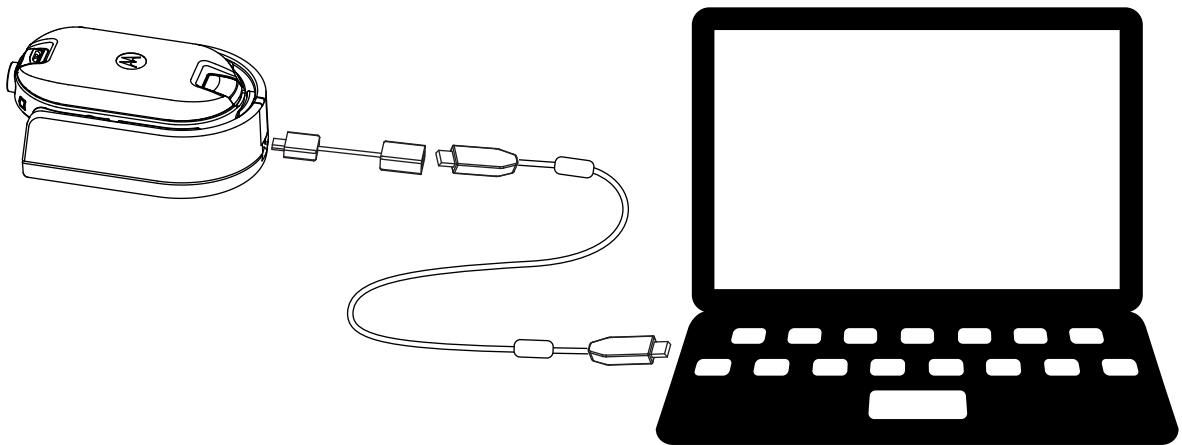
Install the Computer Programming Software (CPS) on your computer.

Ensure that the radio is turned on.

Procedure:

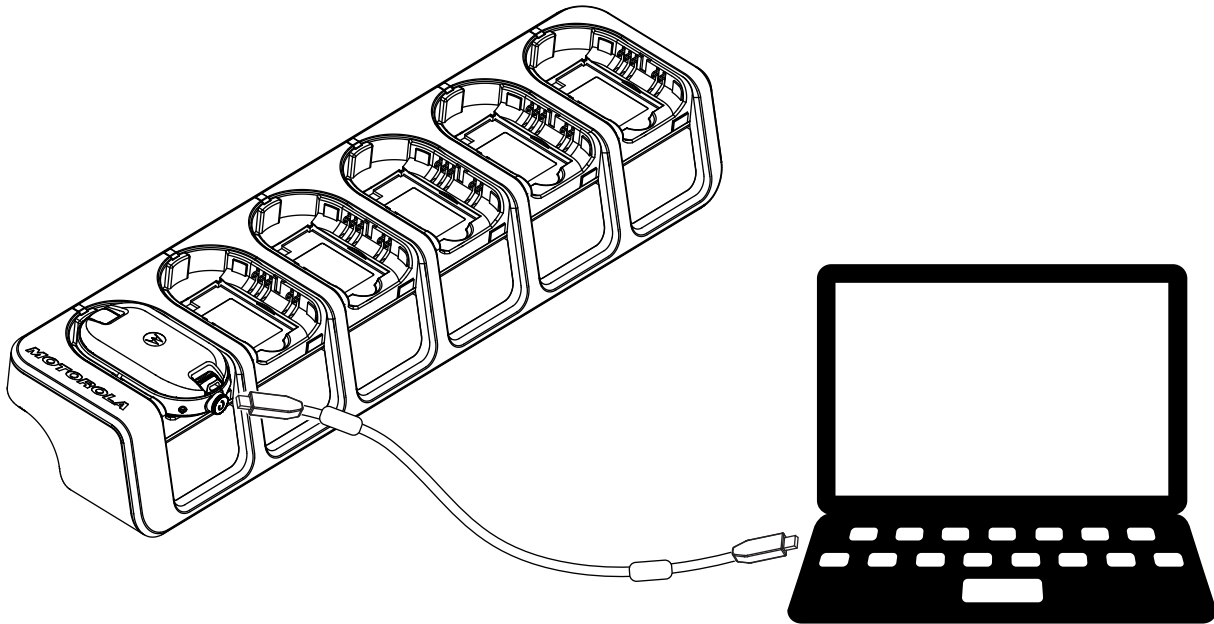
- 1 Connect the radio by using the Drop-in Charger Tray or the Charging Pocket with **PROG** label on the Multi-Unit Charger and CPS Programming Cable⁴.

Figure 10: Programming the Radio through a Single Unit Charger




⁴ CPS Programming Cable (P/N HKKN4027_) is an accessory sold separately. Contact your Motorola Solutions Point of Purchase for more information.

Figure 11: Programming the Radio through a Multi-Unit Charger



- 2 Set the cable switch to analog.
- 3 After the radio is connected, open the CPS and select **Read** on the toolbar to get the radio profile.
 You can change the general, audio, menu, channels, scan list, customize PL/DPL settings, and select frequencies and PL/DPL codes on each channel.
- 4 To save the settings, select **Write to radio** on the toolbar.

 **NOTE:** For more information on the CPS, see **Help** menu in the CPS.

4.2

Factory Default Settings

Your radio is programmed at the factory to the following settings.

Table 7: CLP1010e 1W UHF 1 CH Radios Default Settings-BRUS

Channel Number	Frequency #	Frequency Settings (MHz)	Code Value (Hz)	Bandwidth (kHz)
1	2	464.5500	67.0	12.5

Table 8: CLP1080e 1W UHF 8 CH Radios Default Settings-BRUS

Channel Number	Frequency Settings (MHz)	Code Value (Hz)	Bandwidth (kHz)
1	464.5500	67.0	12.5

Channel Number	Frequency Settings (MHz)	Code Value (Hz)	Bandwidth (kHz)
2	467.9250	67.0	12.5
3	467.8500	67.0	12.5
4	467.8750	67.0	12.5
5	461.0625	67.0	12.5
6	461.1125	67.0	12.5
7	461.1625	67.0	12.5
8	461.2125	67.0	12.5

Table 9: CLP1013e 1W UHF 1 CH Radios Default Settings-BRCAN

Channel Number	Frequency #	Frequency Settings (MHz)	Code Value (Hz)	Bandwidth (kHz)
1	2	458.6625	67.0	12.5

Table 10: CLP1083e 1W UHF 8 CH Radios Default Settings-BRCAN

Channel Number	Frequency Settings (MHz)	PL/DPL Code (Hz)	Bandwidth (kHz)
1	458.6625	67.0	12.5
2	469.2625	67.9	12.5
3	458.6625	71.9	12.5
4	469.2625	71.9	12.5
5	458.6625	74.4	12.5
6	469.2625	74.4	12.5
7	458.6625	77.0	12.5
8	469.2625	77.0	12.5

Chapter 5

Radio Cloning

This feature allows you to clone radio settings from one radio to another.

5.1

Cloning Radio Settings

You can copy the radio settings from the source to another radio.

You can use one of the following unit chargers and cables for cloning:

- CLP Series Single Unit Charger (SUC) kit part number HKPN4008_⁵ and CLP Series Cloning Cable kit part number HKKN4028_ (optional accessory).
- Multi-Unit Charger (MUC) Kit Part Number HKPN4007_ (optional accessory)

The MUC does not have to be plugged in for cloning, but both radios require charged batteries.

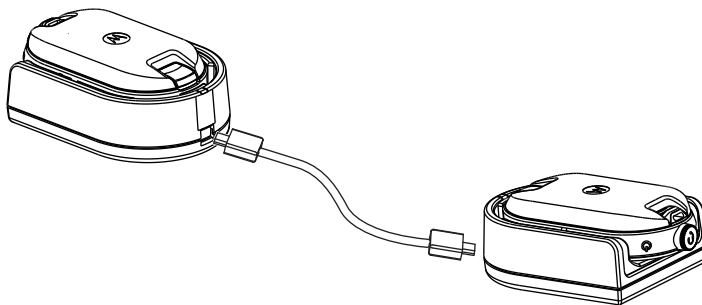
5.2

Cloning Radios using the Cloning Cable

Prerequisites:

- A fully charged battery on each radio.
- Two Single-Unit Charger (SUC) Kits.
- Both radios are turned off.
- Source radio: Radio to be cloned.
- Target radio: Radio to which the configuration of the source radio is to be copied.

Figure 12: Cloning the Radio through a Single Unit Charger



Procedure:

- 1 Unplug any cables such as power supply or micro USB cables from the SUC.

⁵ Revision C onward

- 2 Plug one side of the cloning cable micro USB to one SUC and plug the other end to the second SUC.



NOTE:

Ensure the switch on the cloning cable is set to **Legacy**.

During the cloning process, no power is applied to the SUC. The batteries cannot be charged. A data communication is established between the two radios.

- 3 Turn on the target radio and place it into one of the SUC.
- 4 To power the source radio, press and hold the **PTT** button and the - button simultaneously while turning on the radio until you hear the cloning tone.
- 5 To start the cloning process, place the source radio in its SUC with an audio accessory, then press and release the **Menu** button.

If successful, the source radio sounds a good key chirp tone.

If unsuccessful, the source radio sounds bonk tone.

The tone sounds for no more than five seconds.

- 6 Turn the radios off and on to bring the radios to the user mode by exiting the clone mode when the cloning process is completed.



NOTE: When the radio is in clone mode, the **Auto Power Off** feature is not applicable.

5.3

Cloning Radios using the Multi-Unit Charger

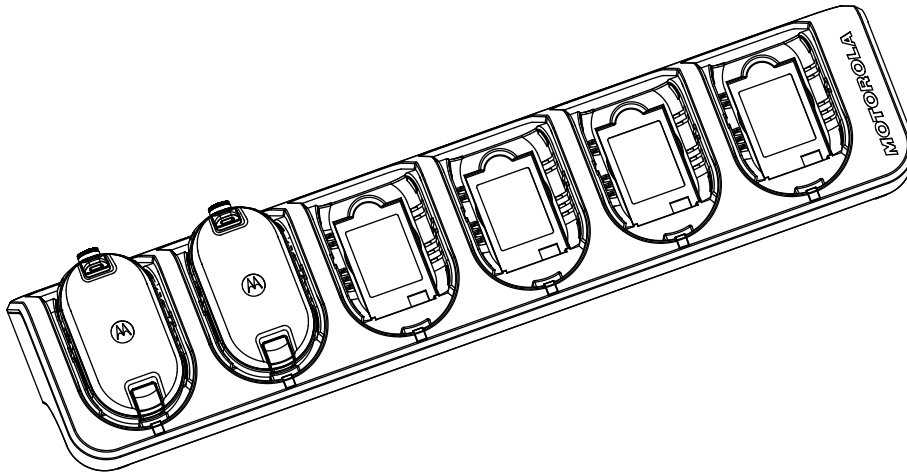
Prerequisites:

- A fully charged battery on each radio.
- CLP Series Multi-Unit Charger (MUC).
- Both radios are turned off.
- Source radio: Radio to be cloned.
- Target radio: Radio to which the configuration of the source radio is to be copied.

Procedure:

- 1 To put the source radio into clone mode, press and hold the source radio **PTT** button and the - button simultaneously while turning on the radio until you hear the cloning tone.
- 2 Place the source radio into one of the charging pockets that has the **CLONE** label.
- 3 Turn on the target radio and place it in the pairing charging pocket that has the **CLONE** label and start the cloning process.
- 4 To start the cloning process, press the **Menu** button on the source radio.
The source radio generates the start clone tone.
- 5 To activate the radio, turn off and on the radios when cloning process is completed.
- 6 To clone another radio, repeat [step 3](#) to [step 5](#).
- 7 To exit clone mode on the source radio, turn off the radio.

Figure 13: Cloning the Radio through a Multi-Unit Charger



5.4

Troubleshooting Cloning Mode

When and where to use:

The radio audible voice announces “Bonk” indicating that the cloning process has failed. In the event that cloning fails, perform each of the following steps before attempting to start cloning process again.

Procedure:

- 1 Ensure that the batteries on both radios are fully charged and engaged properly on the radio.
- 2 Check the cloning cable connection on both Single-Unit Chargers (SUC).
- 3 Ensure that there is no debris in the charging tray or on the radio contacts and the radio contact is touching the SUC or Multi-Unit Charger (MUC) contact firmly.
- 4 Ensure that the target radio is turned on.
- 5 Ensure that the source radio is in cloning mode.
- 6 Ensure that the two radios are both from the same frequency band, same region and have the same transmission power.



NOTE: The cloning cable is designed to operate only with compatible Motorola Solutions SUC.

When ordering cloning cable kit, ensure to order the cloning cable kit with part number HKKN4028_. For more information about the accessories, see [Accessories on page 51](#).

Chapter 6

Advanced Radio Configuration

Advanced radio configuration feature allows you to configure settings from a pre-programmed list without using a computer.

Advanced configuration mode allows you to customize the following settings:

- Channels
- Frequencies
- Codes (CTCC/DPL)

Frequencies allow you to select frequencies for each channel. **Codes** help minimize interference by providing you with a choice of code combinations that filter out static, noise, and unwanted messages.

6.1

Entering Advanced Radio Configuration Mode

Prerequisites:

Turn the radio off.

Procedure:

- 1 Press the **PTT**, **+** button and **Power** button simultaneously and hold for 3 to 5 seconds until you hear a sound and the voice prompt *Programming Mode*.

The LED blinks green.

- 2 To select the settings you want to change, press the **Menu** button.

The followings are the settings that you can change:

- Channel (for multi-channel models)
- Frequency
- Code

The voice announcements indicate the menu items and their current settings.

- 3 To change the settings, press either the **+** or **-** button.
- 4 To go to the next menu item, press the **Menu** button.
- 5 To exit the **Advanced Radio Configuration** mode, press and hold the **PTT** button until you hear a sound.

Chapter 7


Troubleshooting


The following table explains the ways to troubleshoot if the symptom occurs.

7.1 Symptom and Solutions

Procedure:

1

If...	Then...
No power	Recharge or replace the Li-Ion battery.  NOTE: Extreme operating temperatures may affect battery life. See Battery Specifications on page 24 .
Hearing other noises or conversation on a channel	Frequency or Interference Eliminator Code may be in use. Perform one of the following actions: <ul style="list-style-type: none"> • Confirm Interference Eliminator Code is set. • Change frequencies or codes settings on all radios. • Ensure the radio is at the right frequency and code when transmitting.
Message Scrambled	Scramble Code might be on or the setting does not match other radio settings. Change the settings through Customer Programming Software (CPS).
Audio quality not good enough	Radio settings might not be match correctly. Check the frequencies, codes, and bandwidths to ensure the settings are the same in all radios.
Limited talk range	Perform one of the following actions: <ul style="list-style-type: none"> • Check for clear line of sight to improve transmission. Avoid being near steel, concrete structures, heavy foliage, buildings, or vehicles. • Change the placement of the radio. • To increase range and coverage, you can reduce obstructions or increase power. UHF radios provides greater cover-

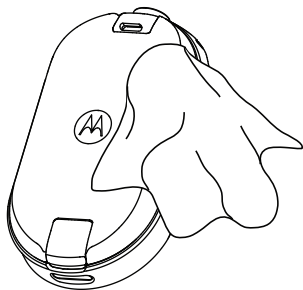
If...	Then...
	<p>age in industrial and commercial buildings. Increasing power provides greater signal range and increased penetration through obstructions.</p>
<p>Message not transmitted or received</p>	<p>Perform one of the following actions:</p> <ul style="list-style-type: none"> • Ensure the PTT button is completely pressed when transmitting. • Confirm that the radios have the same Channel, Frequency, Interference Eliminator Code, and Scramble Code settings. See Transmitting and Receiving on page 18. • Recharge, replace, or reposition batteries. See Battery Specifications on page 24. • Change the radio placement. Obstructions and operating indoors, or in vehicles, may interfere. . • Verify that the radio is not in Scan mode. See Scanning Radio Channels on page 22.
<p>Heavy static or interference</p>	<p>Radios are too close. Ensure the transmitting and receiving radios are at least 5 feet (1.5 m) apart.</p> <p>Radios are too far apart or obstacles are interfering with transmission.</p>
<p>Low batteries</p>	<p>Recharge or replace Li-Ion battery.</p> <p> NOTE: Extreme operating temperatures affect battery life.</p> <p>See Battery Specifications on page 24.</p>
<p>Drop-in Charger LED light does not blink</p>	<p>Perform one of the following actions:</p> <ul style="list-style-type: none"> • Verify that the radio and battery is properly inserted. • Check the battery and charger contacts to ensure that they are clean and charging pin is inserted correctly. <p>See Charging a Stand-Alone Battery with the Drop-in Tray SUC on page 27 and Charger LED Indications on page 29.</p>
<p>Battery does not charge although it has been placed in the drop-in charger for a while</p>	<p>Perform one of the following actions:</p> <ul style="list-style-type: none"> • Verify the drop-in tray charger is properly connected and corresponds to a compatible power supply. See Charging

If...	Then...
	<p data-bbox="873 243 1333 306">a Stand-Alone Battery with the Drop-in Tray SUC on page 27.</p> <ul data-bbox="841 321 1321 415" style="list-style-type: none"><li data-bbox="841 321 1321 415">• Check the charger LEDs indicators to see if the battery has a problem. See Charger LED Indications on page 29.

Chapter 8

Use and Care

This chapter explains the maintenance of the radio.



Use a soft damp cloth to clean the exterior

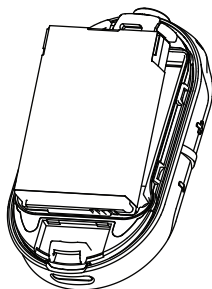


Do not immerse in water

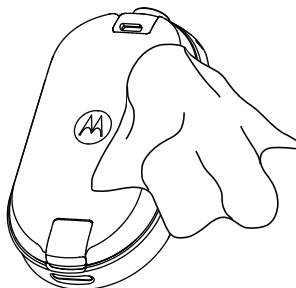


Do not use alcohol or cleaning solutions

If the radio is submerged in water:



Turn the radio off and remove batteries



Dry with soft cloth



Do not use the radio until it is completely dry



NOTE: Radio is IP54 only when the dust cover or audio accessory is plugged into the connector.

Chapter 9

Radio Frequency and Code Chart

The following tables shows the frequency information and are useful when using Motorola Solutions CLP Series Two-Way Radios with other business radios.

Most of the frequency positions are the same as Spirit M, GT, S, XTN, RDX, and CLS Series frequency positions, the bandwidths are different.

9.1

Canada Frequency List and Bandwidth

Table 11: Frequency List and Bandwidth

Freq #	Frequency Settings (MHz)	Bandwidth (kHz)
1	458.6625	12.5
2	469.2625	12.5

9.2

CLP Frequencies

Table 12: CLP UHF Frequencies

Freq#	Freq (MHz)	Bandwidth (kHz)	Freq#	Freq (MHz)	Bandwidth (kHz)
1	464.5000	12.5	46	466.3375	12.5
2	464.5500	12.5	47	466.3625	12.5
3	467.7625	12.5	48	467.7875	12.5
4	467.8125	12.5	49	467.8375	12.5
5	467.8500	12.5	50	467.8625	12.5
6	467.8750	12.5	51	467.8875	12.5
7	467.9000	12.5	52	467.9125	12.5
8	467.9250	12.5	53	469.4875	12.5
9	461.0375	12.5	54	469.5125	12.5
10	461.0625	12.5	55	469.5375	12.5
11	461.0875	12.5	56	469.5625	12.5
12	461.1125	12.5	57	462.1875	12.5
13	461.1375	12.5	58	462.4625	12.5
14	461.1625	12.5	59	462.4875	12.5
15	461.1875	12.5	60	462.5125	12.5
16	461.2125	12.5	61	467.1875	12.5

Freq#	Freq (MHz)	Bandwidth (kHz)	Freq#	Freq (MHz)	Bandwidth (kHz)
17	461.2375	12.5	62	467.4625	12.5
18	461.2625	12.5	63	467.4875	12.5
19	461.2875	12.5	64	467.5125	12.5
20	461.3125	12.5	65	451.1875	12.5
21	461.3375	12.5	66	451.2375	12.5
22	461.3625	12.5	67	451.2875	12.5
23	462.7625	12.5	68	451.3375	12.5
24	462.7875	12.5	69	451.4375	12.5
25	462.8125	12.5	70	451.5375	12.5
26	462.8375	12.5	71	451.6375	12.5
27	462.8625	12.5	72	452.3125	12.5
28	462.8875	12.5	73	452.5375	12.5
29	462.9125	12.5	74	452.4125	12.5
30	464.4875	12.5	75	452.5125	12.5
31	464.5125	12.5	76	452.7625	12.5
32	464.5375	12.5	77	452.8625	12.5
33	464.5625	12.5	78	456.1875	12.5
34	466.0375	12.5	79	456.2375	12.5
35	466.0625	12.5	80	456.2875	12.5
36	466.0875	12.5	81	468.2125	12.5
37	466.1125	12.5	82	468.2625	12.5
38	466.1375	12.5	83	468.3125	12.5
39	466.1625	12.5	84	468.3625	12.5
40	466.1875	12.5	85	468.4125	12.5
41	466.2125	12.5	86	468.4625	12.5
42	466.2375	12.5	87	468.5125	12.5
43	466.2625	12.5	88	468.5625	12.5
44	466.2875	12.5	89	468.6125	12.5
45	466.3125	12.5	90	468.6625	12.5

9.3

CTCSS/DPL Interference Eliminator Codes

Table 13: CTCSS/DPL Interference Eliminator Codes

CTCSS	Code	CTCSS/ DPL	Code	DPL	Code	DPL	Code	DPL	Code
0	Disabled	24	151.4	47	54	71	243	95	445

CTCSS	Code	CTCSS/ DPL	Code	DPL	Code	DPL	Code	DPL	Code
1	67.0	25	156.7	48	65	72	244	96	464
2	71.9	26	162.2	49	71	73	245	97	465
3	74.4	27	167.9	50	72	74	251	98	466
4	77.0	28	173.8	51	73	75	261	99	503
5	79.7	29	179.9	52	74	76	263	100	506
6	82.5	30	186.2	53	114	77	265	101	516
7	85.4	31	192.8	54	115	78	271	102	532
8	88.5	32	203.5	55	116	79	306	103	546
9	91.5	33	210.7	56	125	80	311	104	565
10	94.8	34	218.1	57	131	81	315	105	606
11	97.4	35	225.7	58	132	82	331	106	612
12	100.0	36	233.6	59	134	83	343	107	624
13	103.5	37	241.8	60	143	84	346	108	627
14	107.2	38	250.3	61	152	85	351	109	631
15	110.9	122	69.3	62	155	86	364	110	632
16	114.8	39	23.0	63	156	87	365	111	654
17	118.8	40	25.0	64	162	88	371	112	662
18	123.0	41	26.0	65	165	89	411	113	664
19	127.3	42	31.0	66	172	90	412	114	703
20	131.8	43	32.0	67	174	91	413	115	712
21	136.5	44	43.0	68	205	92	423	116	723
22	141.3	45	47.0	69	223	93	431	117	731
23	146.2	46	51.0	70	226	94	432	118	732
								119	734

Table 14: CTCSS/DPL Interference Eliminator Codes (Continued)

DPL	Code	DPL	Code	DPL	Code	DPL	Code
120	743	146	Inverted DPL 55	171	Inverted DPL 80	195	Inverted DPL 104
121	754	147	Inverted DPL 56	172	Inverted DPL 81	196	Inverted DPL 105
123	645	148	Inverted DPL 57	173	Inverted DPL 82	197	Inverted DPL 106
124	Cus- tomized PL	149	Inverted DPL 58	174	Inverted DPL 83	198	Inverted DPL 107

DPL	Code	DPL	Code	DPL	Code	DPL	Code
125	Cus- tomized PL	150	Inverted DPL 59	175	Inverted DPL 84	199	Inverted DPL 108
126	Cus- tomized PL	151	Inverted DPL 60	176	Inverted DPL 85	200	Inverted DPL 109
127	Cus- tomized PL	152	Inverted DPL 61	177	Inverted DPL 86	201	Inverted DPL 110
128	Cus- tomized PL	153	Inverted DPL 62	178	Inverted DPL 87	202	Inverted DPL 111
129	Cus- tomized PL	154	Inverted DPL 63	179	Inverted DPL 88	203	Inverted DPL 112
130	Inverted DPL 39	155	Inverted DPL 64	180	Inverted DPL 89	204	Inverted DPL 113
131	Inverted DPL 40	156	Inverted DPL 65	181	Inverted DPL 90	205	Inverted DPL 114
132	Inverted DPL 41	157	Inverted DPL 66	181	Inverted DPL 90	206	Inverted DPL 115
133	Inverted DPL 42	158	Inverted DPL 67	182	Inverted DPL 91	207	Inverted DPL 116
134	Inverted DPL 43	159	Inverted DPL 68	183	Inverted DPL 92	208	Inverted DPL 117
135	Inverted DPL 44	160	Inverted DPL 69	184	Inverted DPL 93	209	Inverted DPL 118
136	Inverted DPL 45	161	Inverted DPL 70	185	Inverted DPL 94	210	Inverted DPL 119
137	Inverted DPL 46	162	Inverted DPL 71	186	Inverted DPL 95	211	Inverted DPL 120
138	Inverted DPL 47	163	Inverted DPL 72	187	Inverted DPL 96	212	Inverted DPL 121
139	Inverted DPL 48	164	Inverted DPL 73	188	Inverted DPL 97	213	Inverted DPL 123
140	Inverted DPL 49	165	Inverted DPL 74	189	Inverted DPL 98	214	Customized DPL
141	Inverted DPL 50	166	Inverted DPL 75	190	Inverted DPL 99	215	Customized DPL
142	Inverted DPL 51	167	Inverted DPL 76	191	Inverted DPL 100	216	Customized DPL
143	Inverted DPL 52	168	Inverted DPL 77	192	Inverted DPL 101	217	Customized DPL
144	Inverted DPL 53	169	Inverted DPL 78	193	Inverted DPL 102	218	Customized DPL

DPL	Code	DPL	Code	DPL	Code	DPL	Code
145	Inverted DPL 54	170	Inverted DPL 79	194	Inverted DPL 103	219	Customized DPL

Chapter 10

Motorola Solutions Limited Warranty for the United States and Canada

10.1

Warranty

Subject to the exclusions contained below, Motorola Solutions, Inc. warrants its two way radios to be free from defects in materials and quality of work under normal consumer usage for the period(s) outlined.

This limited warranty is a consumer's exclusive remedy, and applies as follows to new Motorola Solutions Products, Accessories and Software purchased by consumers in Latin American countries, which are accompanied by this written warranty.

10.2

Products and Accessories

The table shows the length of coverage of products and accessories.

Table 15: Products and Accessories

Products Covered	Length of Coverage
Products and accessories as defined above, unless otherwise provided for below	One (1) year from the date of purchase by the first purchaser of the product unless otherwise provided for below.
Decorative accessories and cases. Decorative covers, bezels, PhoneWrap™ covers and cases	Limited lifetime warranty for the lifetime of ownership by the first purchaser of the product.
Business two-way radio accessories	One (1) year from the date of purchase by the first purchaser of the product.
Products and accessories that are repaired or replaced	The balance of the original warranty or for 90 days from the date returned to the consumer, whichever is longer.
Two-way radio	Two (2) years from the date of purchase by the first purchaser of the product.

10.3

Exclusions

Normal Wear and Tear

Periodic maintenance, repair and replacement of parts due to normal wear and tear are excluded from coverage.

Batteries

Only batteries whose fully charged capacity falls below 80% of their rated capacity and batteries that leak are covered by this limited warranty.

Abuse and Misuse

Defects or damage that result from:

- improper operation, storage, misuse or abuse, accident or neglect, such as physical damage (cracks, scratches, etc.) to the surface of the product resulting from misuse
- contact with liquid, water, rain, extreme humidity or heavy perspiration, sand, dirt or the like, extreme heat, or food
- use of the Products or Accessories for commercial purposes or subjecting the Product or Accessory to abnormal usage or conditions
- other acts which are not the fault of Motorola Solutions, are excluded from coverage.

Use of Non-Motorola Solutions Products and Accessories

Defects or damage that result from the use of Non-Motorola Solutions branded or certified Products, Accessories, Software or other peripheral equipment are excluded from coverage.

Unauthorized Service or Modification

Defects or damages resulting from service, testing, adjustment, installation, maintenance, alteration, or modification in any way by someone other than Motorola Solutions, or its authorized service centers, are excluded from coverage.

Altered Products

Products or Accessories with:

- serial numbers or date tags that have been removed, altered or obliterated
- broken seals or that show evidence of tampering
- mismatched board serial numbers
- nonconforming or non-Motorola Solutions housings, or parts, are excluded from coverage

Communication Services

Defects, damages, or the failure of Products, Accessories or Software due to any communication service or signal you may subscribe to or use with the Products Accessories or Software is excluded from coverage.

10.4

Software

Table 16: Software Warranty Table

Products Covered	Length of Coverage
Software Applies only to physical defects of the media that embodies the copy of the software.	90 days from the date of purchase.

Exclusions

Software Embodied in Physical Media

The warranty does not cover that the software will meet your requirements or will work in combination with any hardware or software applications provided by third parties, that the operation of the software products will be uninterrupted or error free, or that all defects in the software products will be corrected.

Software not Embodied in Physical Media

Software that is not embodied in physical media (for example, software downloaded from the internet), is provided “as is” and without warranty.

10.5**Warranty Coverage**

This warranty extends only to the first consumer purchaser, and is not transferable.

10.6**Warranty and Service Support**

Motorola Solutions have the option to repair or replace the Products or software that do not conform to the warranty, or to refund the Products' purchase price at no charge.

We may use functionally equivalent re-conditioned/refurbished/pre-owned or new Products or parts. No software updates are provided.

10.7**Retain Your Original Proof of Purchase**

Motorola Solutions will ship repaired or replacement Products at our expense for the freight and insurance, but at your expense for any duties.

If additional information is needed, contact your Motorola Solutions point of purchase.

10.8**How to Obtain Warranty Service or Other Information**

Contact your Motorola Solutions point of purchase.

- 1-800-448- 6686 in the USA
- 1-800-461-4575 in Canada
- 1-866-522-5210 on your TTY (Text Telephone)

You must ship the Products to us with freight, duties and insurance prepaid. Along with the Products you must include:

- a copy of your receipt, bill of sale or other comparable proof of purchase
- a written description of the problem
- the name of your service provider (if this Product requires subscription service)
- the name and location of the installation facility (if applicable) and, most importantly
- your address and telephone number. If requested, you must also return all detachable parts such as antennas, batteries and chargers.

10.9**Software Copyrights Notice**

The Motorola Solutions products described in this manual may include copyrighted Motorola Solutions computer programs stored in semiconductor memories or other media. Laws in the United States and other countries preserve for Motorola Solutions certain exclusive rights for copyrighted computer programs including, but not limited to, the exclusive right to copy or reproduce in any form the copyrighted computer program. Accordingly, any copyrighted Motorola Solutions computer programs contained in the Motorola Solutions products described in this manual may not be copied, reproduced, modified, reverse-engineered, or distributed in any manner without the express written permission of Motorola Solutions.

Furthermore, the purchase of Motorola Solutions products shall not be deemed to grant either directly or by implication, estoppel, or otherwise, any license under the copyrights, patents or patent

applications of Motorola Solutions, except for the normal non-exclusive license to use that arises by operation of law in the sale of a product.

10.10

Patent Notice

This product is covered by one or more of the following United States patents.

5896277 5894292 5864752 5699006 5742484 D408396 D399821 D387758 D389158 5894592
5893027 5789098 5734975 5861850 D395882 D383745 D389827 D389139 5929825 5926514
5953640 6071640 D413022 D416252 D416893 D433001

10.11

Export Law Assurances

This product is controlled under the export regulations of the United States of America. The Government of the United States of America may restrict the exportation or re-exportation of this product to certain destinations.

For further information, contact the U.S. Department of Commerce.

Chapter 11

Accessories

Table 17: Audio Accessories

Part No.	Description
PMLN8077_	Over-the-ear earpiece, Single Pin
PMLN8125_	Over-the-ear earpiece, Single Pin, Short Cord
PMLN8190_	Surveillance earpiece, Single Pin

Table 18: Batteries

Part No.	Description
HKNN4013_	CLP Series High Capacity Li-Ion Battery
PMLN8066_	CLPe High Capacity Li-Ion Battery Door

Table 19: Carry Accessories

Part No.	Description
PMLN8064_	CLPe Series Magnetic Case
PMLN8065_	CLP Series Swivel Belt Clip Holster

Table 20: Chargers

Part No.	Description
HKPN4007_	CLP Series Multi-Unit Charger (MUC) Kit
HKPN4008_ ⁶	CLP Series Single-Unit Charger (SUC) Kit
PMPN4020_	CLP Series Multi-Unit Charger (MUC) Kit

Table 21: Programming Cables

Part No.	Description
HKKN4027_	CLP Series CPS Cable
HKKN4028_	CLP Series Cloning Cable

Contacts

For product-related questions, contact:

- 1-800-448-6686 in the USA
- 1-800-461-4575 in Canada
- 1-866-522-5210 on your TTY (Text Telephone)

⁶ Revision C onward

Table des matières

Propriété intellectuelle et avis réglementaires.....	5
Renseignements sur la sécurité des batteries, des chargeurs et des accessoires audio.....	7
Directives d'utilisation sécuritaire.....	7
Protection de l'ouïe.....	8
Renseignements de licence FCC.....	9
Déclaration de conformité du fournisseur.....	10
Normes de sécurité concernant l'exposition aux radiofréquences.....	11
Avis aux utilisateurs.....	12
Renseignements relatifs aux licences canadiennes.....	13
Introduction.....	14
Contenu de l'emballage.....	14
Chapitre 1 : Présentation de la radio.....	16
Chapitre 2 : Pour commencer.....	17
2.1 Installation de la batterie.....	17
2.2 Connexion de l'accessoire audio filaire.....	17
2.3 Mise en marche et arrêt de la radio.....	19
2.4 Réglage du volume.....	19
2.5 Insertion et retrait de la pince de ceinture pivotante.....	19
2.6 Émission et réception.....	20
2.6.1 Portée de communication.....	21
2.7 Paramètres du menu.....	21
2.7.1 Fonctions qui utilisent les paramètres du menu.....	21
2.8 Sélection des canaux.....	22
2.8.1 Paramètres de canal par défaut pour le CPS.....	22
2.8.2 Voyants à DEL.....	23
2.8.2.1 Voyant de volume.....	23
2.9 Écoute de canaux.....	24
2.10 Balayage.....	24
2.10.1 Balayage des canaux de la radio.....	24
2.11 Balayage Talkaround (En direct) dynamique.....	24
2.12 Envoi de tonalités d'appel.....	25
2.13 Activer la sourdine de la radio.....	25
2.14 Transmission d'appel à l'échelon supérieur.....	25
Chapitre 3 : Batterie et chargeur.....	27

3.1	Spécifications de la batterie.....	27
3.2	Durée de vie de la batterie.....	27
3.3	Recyclage et mise au rebut des batteries.....	27
3.4	Retrait de la batterie au lithium-ion.....	28
3.5	Bloc d'alimentation, adaptateur et chargeur instantané.....	28
3.6	Batterie autonome.....	29
3.6.1	Chargement d'une batterie autonome à l'aide du chargeur SUC à support.....	30
3.6.2	Charger une batterie autonome avec le chargeur instantané MUC (accessoire en option).....	30
3.6.3	Durée de charge estimée.....	30
3.7	Chargement de la radio avec le chargeur SUC à support de charge.....	30
3.8	Charge avec le chargeur instantané MUC (accessoire en option).....	31
3.9	Indications du voyant du chargeur.....	32
3.10	Vérification de l'état de la batterie.....	33
Chapitre 4	: Programmation de la radio au moyen du CPS.....	34
4.1	Programmation de la radio.....	34
4.2	Paramètres par défaut.....	35
Chapitre 5	: Clonage radio.....	37
5.1	Clonage des paramètres radio.....	37
5.2	Clonage de radios avec le câble de clonage.....	37
5.3	Clonage de radios avec le chargeur multi-unités.....	38
5.4	Dépannage du mode de clonage.....	39
Chapitre 6	: Configuration avancée de la radio.....	40
6.1	Accès au mode de configuration avancée de la radio.....	40
Chapitre 7	: Dépannage.....	41
7.1	Symptômes et solutions.....	41
Chapitre 8	: Utilisation et entretien.....	44
Chapitre 9	: Graphiques des fréquences et des codes de la radio.....	45
9.1	Liste de fréquences et de bandes passantes pour le Canada.....	45
9.2	Fréquences CLP.....	45
9.3	Codes de réduction de l'interférence CTCSS/DPL.....	47
Chapitre 10	: Garantie limitée de Motorola Solutions pour les États-Unis et le Canada.....	50
10.1	Garantie.....	50
10.2	Produits et accessoires.....	50
10.3	Exclusions.....	50
10.4	Logiciel.....	51
10.5	Couverture de la garantie.....	52
10.6	Garantie et soutien de service.....	52

10.7 Conservez la preuve d'achat d'origine.....	52
10.8 Comment obtenir le service sous garantie.....	52
10.9 Avis de droits d'auteur du logiciel.....	52
10.10 Avis relatif aux brevets.....	53
10.11 Assurances découlant des lois sur l'exportation.....	53
Chapitre 11 : Accessoires.....	54

Propriété intellectuelle et avis réglementaires

Droits d'auteur

Les produits Motorola Solutions décrits dans ce document peuvent inclure des programmes informatiques protégés par des droits d'auteur de Motorola Solutions. Les lois des États-Unis et d'autres pays réservent à Motorola Solutions certains droits exclusifs pour les programmes informatiques protégés par droits d'auteur. Par conséquent, tout programme informatique protégé par droits d'auteur de Motorola Solutions compris dans les produits Motorola Solutions décrits dans le présent document ne peut être copié ni reproduit de quelque manière que ce soit sans l'autorisation écrite expresse de Motorola Solutions.

Aucune partie du présent document ne peut être reproduite, transmise, stockée dans un système de recherche documentaire ou traduite dans une autre langue ou dans un langage informatique, sous quelque forme ou par quelque moyen que ce soit, sans l'autorisation écrite préalable de Motorola Solutions, Inc.

Marques de commerce

MOTOROLA, MOTO, MOTOROLA SOLUTIONS et le logo au M stylisé sont des marques de commerce ou des marques déposées de Motorola Trademark Holdings, LLC et sont utilisées sous licence. Toutes les autres marques de commerce sont la propriété de leurs détenteurs respectifs.

Droits de licence

L'achat de produits Motorola Solutions ne peut être considéré comme une transaction octroyant directement, par inférence, estoppel ou autrement une licence en vertu des droits d'auteur, des droits de brevets ou d'une demande de brevet de Motorola Solutions, à l'exception d'une licence d'utilisation normale et non exclusive, libre de toute redevance, prévue par la loi lors de la vente d'un produit.

Contenu à code source libre

Ce produit peut contenir des logiciels libres utilisés sous licence. Reportez-vous au support d'installation du produit pour obtenir tous les avis juridiques relatifs aux logiciels libres et aux contenus d'attribution.

Directive sur la mise au rebut des équipements électriques et électroniques (DEEE) de l'Union européenne (UE) et du Royaume-Uni (RU)



La directive DEEE de l'Union européenne et les réglementations DEEE du Royaume-Uni exigent que les produits (ou leur emballage, dans certains cas) vendus dans les pays de l'UE ou au Royaume-Uni portent l'étiquette de la poubelle barrée. Comme le définit la directive DEEE, cette étiquette de poubelle barrée signifie que les clients et les utilisateurs finaux dans les pays de l'UE et du RU ne doivent pas jeter les équipements électriques et électroniques ou leurs accessoires dans les ordures domestiques.

Les clients ou les utilisateurs finaux dans les pays de l'UE et du RU doivent communiquer avec le représentant ou le centre de service local de leur fournisseur d'équipements pour obtenir des renseignements sur le système de collecte des déchets de leur pays.

Avis de non-responsabilité

Veillez noter que certaines fonctionnalités, installations et capacités décrites dans ce document pourraient ne pas s'appliquer ou être accordées sous licence pour l'utilisation sur un système particulier ou pourraient dépendre des caractéristiques d'une unité mobile d'abonné ou d'une configuration de certains paramètres. Veuillez consulter votre personne-ressource chez Motorola Solutions pour en savoir plus.

© 2023 Motorola Solutions, Inc. Tous droits réservés

Renseignements sur la sécurité des batteries, des chargeurs et des accessoires audio

Ce document contient d'importantes directives relatives à la sécurité et au fonctionnement de l'appareil. Veuillez lire attentivement cette notice et la conserver pour vous y référer ultérieurement. Avant d'utiliser le chargeur de batterie, lisez toutes les directives et marquages d'avertissement sur :

- le chargeur
 - la batterie
 - la radio avec batterie
- 1 Pour réduire les risques de blessure, ne chargez que les batteries rechargeables agréées Motorola Solutions. Le chargement d'autres batteries peut provoquer une explosion, des blessures corporelles et des dommages.
 - 2 L'utilisation d'accessoires non recommandés par Motorola Solutions pourrait occasionner des risques d'incendie, de décharge électrique ou de blessure.
 - 3 Afin de réduire la possibilité d'endommager la fiche et le cordon d'alimentation, débranchez le chargeur en tirant sur la fiche au lieu du cordon.
 - 4 Il n'est pas recommandé d'utiliser une rallonge, sauf en cas de nécessité. L'utilisation d'une rallonge inappropriée pourrait causer un risque d'incendie et de décharge électrique. Si une rallonge doit être utilisée, assurez-vous que le cordon est de calibre 18 lorsque sa longueur est de 2 m (6,5 pi) ou moins et de calibre 16 lorsque sa longueur atteint jusqu'à 3 m (9,8 pi).
 - 5 N'utilisez pas un chargeur défectueux ou endommagé de quelque façon que ce soit. Confiez-le à un représentant de service Motorola Solutions.
 - 6 Ne désassemblez pas le chargeur. Il ne peut être réparé et aucune pièce de rechange n'est disponible. Le désassemblage du chargeur pourrait occasionner des risques de décharge électrique ou d'incendie.
 - 7 Pour réduire les risques de décharge électrique, débranchez le chargeur de la prise c.a. avant de procéder à une maintenance ou à un nettoyage.

Directives d'utilisation sécuritaire

- Mettez la radio hors tension pendant la charge.
- Le chargeur n'est pas conçu pour une utilisation à l'extérieur. Ne l'utilisez que dans des emplacements secs et sous des conditions de nature semblable.
- Débranchez le chargeur de la tension de secteur en retirant la fiche principale.
- Branchez l'appareil dans une prise murale facile d'accès et suffisamment proche.
- Pour les appareils utilisant des fusibles, les pièces de rechange devront être conformes aux instructions fournies dans la documentation.
- La température ambiante maximale autour du bloc d'alimentation ne doit pas dépasser 40 °C (104 °F).
- La puissance de sortie du bloc d'alimentation ne devra pas dépasser la puissance indiquée sur l'étiquette du produit apposée sous le chargeur.

- Assurez-vous que le cordon est placé à un endroit où il ne sera pas écrasé ou endommagé, ne gênera pas le passage, ne sera pas tendu de façon anormale et ne sera pas exposé à une source d'humidité.

Protection de l'ouïe



MISE EN GARDE :

Une exposition à des bruits forts en provenance de n'importe quelle source pendant de longues périodes pourrait affecter votre audition de manière temporaire ou permanente. Plus le volume sonore de la radio est élevé, plus votre audition peut se détériorer rapidement. Les dommages auditifs dus à l'exposition à des bruits forts peuvent d'abord être indétectables, mais ceux-ci ont parfois des effets cumulatifs.

Pour protéger votre audition :

- Réglez le volume le plus bas possible pour effectuer votre travail.
- Augmentez le volume seulement si vous vous trouvez dans un environnement bruyant.
- Réduisez le volume avant de brancher le casque ou l'écouteur.
- Limitez la période de temps d'utilisation du casque ou de l'écouteur à volume élevé.
- Si vous ressentez une gêne auditive, si vous entendez des sifflements ou si les conversations sont étouffées, vous devez cesser d'utiliser votre radio avec un casque d'écoute ou une oreillette et consulter votre médecin pour faire vérifier votre audition.

Renseignements de licence FCC

Cet appareil est conforme aux stipulations des Parties 90 et 15 des règles de la Federal Communications Commission (FCC).

Son utilisation est assujettie à la condition qu'il ne cause pas d'interférence nuisible. La radio fonctionne sur des fréquences radio régies par la Federal Communications Commission (FCC). Afin de transmettre sur ces fréquences, vous devez vous procurer une licence émise par la FCC. La demande doit être faite en remplissant le formulaire 601 et les annexes D et H, ainsi que le formulaire 159 (Remittance Form) de la FCC.

Pour obtenir ces formulaires de la FCC, demandez le document 000601 qui comprend tous les formulaires et les instructions. Si vous souhaitez que le document vous soit envoyé par télécopieur, par la poste, ou si vous avez des questions, utilisez les coordonnées suivantes.

Télécopieur

Communiquez avec le système de télécopie sur demande au numéro 1 202 418-0177

Poste

Téléphonez à la ligne d'assistance de la FCC concernant les formulaires au 1 800 418-FORM ou 1 800 418-3676

Contact

Pour des questions concernant la licence de la FCC, adressez-vous au 1 888 CALL-FCC, 1 888 225-5322 ou <http://www.fcc.gov>.

Avant de remplir votre demande, vous devez décider sur quelle fréquence vous souhaitez exploiter les radios. Pour toute question sur le choix de la radiofréquence, appelez les services sur les produits de Motorola Solutions au numéro suivant : 1 800 448-6686. Toute modification apportée à cet appareil sans l'autorisation explicite de Motorola peut annuler l'autorisation d'utiliser cet appareil, telle qu'elle est émise par la FCC, et ne devrait pas être faite. Pour se conformer aux exigences de la FCC, les réglages de l'émetteur doivent être effectués par ou sous la surveillance d'un technicien certifié pour faire l'entretien et les réparations d'émetteur-récepteur pour les services fixes ou mobiles terrestres privés, dont la certification provient d'un représentant de l'organisation de l'utilisateur de ces services.

Le remplacement de n'importe quel composant de l'émetteur (comme le quartz, les semi-conducteurs, ou autre) non permis par l'autorisation d'équipement de la FCC pour cette radio risque d'enfreindre la réglementation de la FCC.



REMARQUE :

L'utilisation de cette radio en dehors du pays pour lequel elle est distribuée est soumise aux réglementations gouvernementales et peut être interdite.

Déclaration de conformité du fournisseur

Déclaration de conformité du fournisseur

Règlement CFR 47, partie 2, section 2.1077(a) de la FCC



Partie responsable

Nom : Motorola Solutions, Inc.

Adresse : 2000 Progress Pkwy, Schaumburg, IL. 60196

Numéro de téléphone : 1 800 927-2744

Déclare par les présentes que le produit :

Nom du modèle : **CLP1010e/CLP1080e/CLP1013e/CLP1083e**

est conforme aux réglementations suivantes :

Partie 15, sous-partie B, section 15.107(a), 15.107(d) et section 15.109(a) des règlements de la FCC.

Appareil numérique de classe B

En tant que périphérique d'ordinateur personnel, cet appareil est conforme aux dispositions de la partie 15 des règlements de la FCC. Son utilisation est assujettie aux deux conditions suivantes :

- 1 Cet appareil ne doit pas causer d'interférence nuisible; et
- 2 Cet appareil doit accepter toute interférence reçue, y compris les interférences pouvant entraîner un fonctionnement indésirable.



REMARQUE :

Cet équipement a fait l'objet de tests et a été déclaré conforme aux limites établies pour un appareil numérique de classe B, conformément à la section 15 des règlements de la FCC. Ces limites sont fixées afin d'offrir une protection suffisante contre des interférences nuisibles dans une installation résidentielle. Cet équipement génère, utilise et peut émettre de l'énergie de radiofréquence et, s'il n'est pas installé ou utilisé conformément aux instructions, il peut provoquer un brouillage nuisible aux communications radio. Cependant, il est impossible de garantir qu'il n'y aura aucune interférence dans une installation particulière.

Si cet appareil cause une interférence nuisible à la réception de la radio ou de la télévision, ce qui peut être déterminé en éteignant et en allumant l'appareil, vous êtes encouragé à remédier à la situation en prenant une ou plusieurs des mesures suivantes :

- Réorienter ou déplacer l'antenne réceptrice.
- Augmenter la distance entre l'équipement et le récepteur.
- Brancher l'appareil dans une autre prise sur un circuit différent de celui du récepteur.
- Consulter le distributeur ou un technicien de radio ou de télévision chevronné pour obtenir de l'aide.

Normes de sécurité concernant l'exposition aux radiofréquences

Sécurité du produit et respect des normes relatives à l'exposition aux radiofréquences.



MISE EN GARDE :

Avant d'utiliser cette radio, lisez les instructions de fonctionnement pour une utilisation sécuritaire figurant dans la brochure Normes de sécurité et exposition aux radiofréquences fournie avec votre radio.

ATTENTION!

Cette radio est réservée à un usage professionnel conforme à la réglementation FCC sur l'exposition aux fréquences radioélectriques. Avant d'utiliser la radio, lisez le guide Radios bidirectionnelles portatives : guide sur la sécurité du produit et l'exposition aux radiofréquences, qui contient d'importantes instructions de fonctionnement pour une utilisation sécuritaire et des informations sur l'exposition aux fréquences radioélectriques, dans le but d'assurer votre conformité aux normes et règlements en vigueur.

Pour obtenir la liste des antennes, des batteries et des autres accessoires approuvés par Motorola Solutions, visitez le site Web suivant :


<http://www.motorolasolutions.com/CLP>

Selon la réglementation d'Industrie Canada, cet émetteur radio ne peut être utilisé qu'avec une antenne dont le type et le gain maximal (ou minimal) sont approuvés par Industrie Canada pour cet émetteur. Afin de limiter les interférences radio pour les autres utilisateurs, le type et le gain de l'antenne doivent être choisis de façon à ce que la puissance isotrope rayonnée équivalente (p.i.r.e) ne soit pas plus forte qu'il ne le faut pour établir la communication.

Cet émetteur radio a été approuvé par Industrie Canada pour utilisation avec une antenne approuvée par Motorola Solutions offrant le gain maximal autorisé et l'impédance requise pour le type d'antenne indiqué. Il est strictement interdit d'utiliser avec cet appareil tout type d'antenne ne figurant pas dans cette liste et présentant un gain supérieur au maximum indiqué pour le type.

Avis aux utilisateurs

Cet appareil est conforme à la partie 15 des règlements de la FCC d'après les conditions suivantes :

- Cet appareil ne doit pas causer d'interférence nuisible.
- Cet appareil doit accepter toute interférence reçue, y compris les interférences pouvant entraîner un fonctionnement indésirable.
-  **MISE EN GARDE :** Toute modification apportée à cet appareil sans l'autorisation explicite de Motorola Solutions peut annuler l'autorisation d'utiliser cet appareil.

Renseignements relatifs aux licences canadiennes

Avis aux utilisateurs (Industrie Canada)

Le fonctionnement de votre radio Motorola Solutions est assujéti à la Loi sur la radiocommunication et doit se conformer aux règles et règlements du ministère Innovation, Sciences et Développement économique Canada du gouvernement fédéral. Industrie Canada exige que les utilisateurs de fréquences mobiles terrestres privées obtiennent une licence avant d'utiliser leur équipement.

Demande de licence

- 1 Remplissez les éléments en suivant les instructions. Si vous avez besoin d'espace supplémentaire pour tout élément, utilisez le verso de la demande.
- 2 Assurez-vous d'écrire lisiblement.
- 3 Faites une copie pour vos dossiers.
- 4 Préparez un chèque ou un mandat-poste au nom du « Receveur général du Canada » au montant qui figure dans l'annexe suivante pour chaque radio achetée. (La licence est renouvelée le 1er avril de chaque année et est émise pour une période de 12 mois).
- 5 Postez votre demande remplie ainsi que votre chèque ou votre mandat-poste au bureau de district d'Innovation, Sciences et Développement économique Canada le plus près, conformément à la liste des pages.

Pour obtenir le plus récent formulaire de demande de licence canadienne, veuillez visiter http://www.ic.gc.ca/ic_wp-pa.htm.

Introduction

Le présent guide de l'utilisateur couvre le fonctionnement des radios.

Cependant, votre détaillant ou l'administrateur de votre système peut avoir personnalisé votre radio en fonction de vos besoins particuliers. Pour obtenir des renseignements supplémentaires, adressez-vous à votre détaillant ou à votre administrateur de système.

Adressez-vous à votre détaillant ou à votre administrateur de système pour obtenir les renseignements suivants :

- Des canaux conventionnels prédéfinis ont-ils été programmés sur votre radio?
- Quelles sont les touches programmées pour accéder à d'autres fonctions?
- Quels sont les accessoires optionnels qui peuvent répondre à vos besoins?
- Quelles sont les pratiques exemplaires d'utilisation de la radio pour assurer une communication efficace?
- Quelles techniques d'entretien peuvent prolonger la durée de vie de la radio?

Contenu de l'emballage

Cette section fournit des informations concernant le contenu de l'emballage de la radio.

L'emballage contient les produits et manuels suivants :

- Radio bidirectionnelle de série CLP
- Étui avec pince de ceinture pivotante
- Batterie au lithium-ion et couvercle de batterie
- Chargeur à support avec transformateur intégré¹
- Accessoire audio²
- Couvercle de prise audio
- Guide de démarrage rapide, brochure d'instructions du chargeur, livret sur la sécurité et les radiofréquences

Pour obtenir des informations sur le produit, reportez-vous à la section <https://learning.motorolasolutions.com>.

Pour toute question concernant le produit, composez le numéro approprié :

- 1 800 448-6686 aux États-Unis
- 1 800 461-4575 au Canada
- 1 866 522-5210 sur votre appareil TTY (téléscripteur)

Ce guide d'utilisation couvre les modèles suivants :

Modèle	Bande de fréquences	Puissance d'émission	Compatibilité du répéteur	Nombre de canaux
CLP1010e	UHF	1 W	Oui	1
CLP1080e				8

¹ Applicable uniquement aux modèles n'étant pas achetés en gros.

² Applicable uniquement aux modèles n'étant pas achetés en gros.

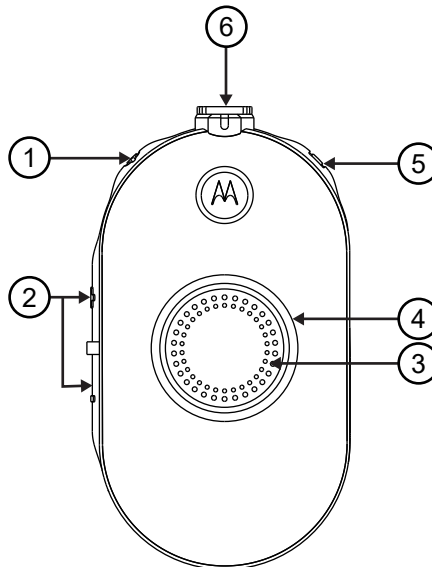
Modèle	Bande de fréquences	Puissance d'émission	Compatibilité du répéteur	Nombre de canaux
CLP1013e				1
CLP1083e				8

Chapitre 1

Présentation de la radio

Ce chapitre décrit les boutons et les fonctions de la radio.

Figure 1 : Commandes de la radio



Numéro d'article	Description
1	Bouton d'alimentation et batterie
2	Bouton de réglage du volume (+/-) et de sourdine
3	Bouton Presser pour Parler (PTT)
4	Anneau d'illumination intelligente de l'état
5	Touche de menu
6	Connecteur d'accessoire

Chapitre 2

Pour commencer

Cette section vous aide à vous familiariser avec le fonctionnement de base de la radio.

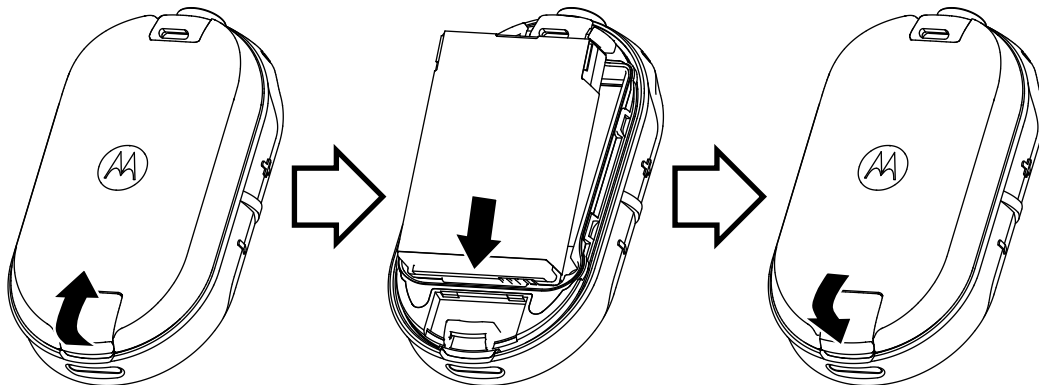
2.1

Installation de la batterie

Procédure :

- 1 Dans le bas du couvercle de la batterie, soulevez le loquet et retirez le couvercle de la batterie de la radio.
- 2 Alignez les contacts de la batterie avec les languettes du compartiment pour batterie.
- 3 Insérez l'extrémité présentant les contacts de la batterie avant d'appuyer sur la batterie pour la mettre en place.
- 4 Placez le couvercle de la batterie sur la radio et poussez le loquet vers le bas pour verrouiller le couvercle de la batterie.

Figure 2 : Installation de la batterie



2.2

Connexion de l'accessoire audio filaire

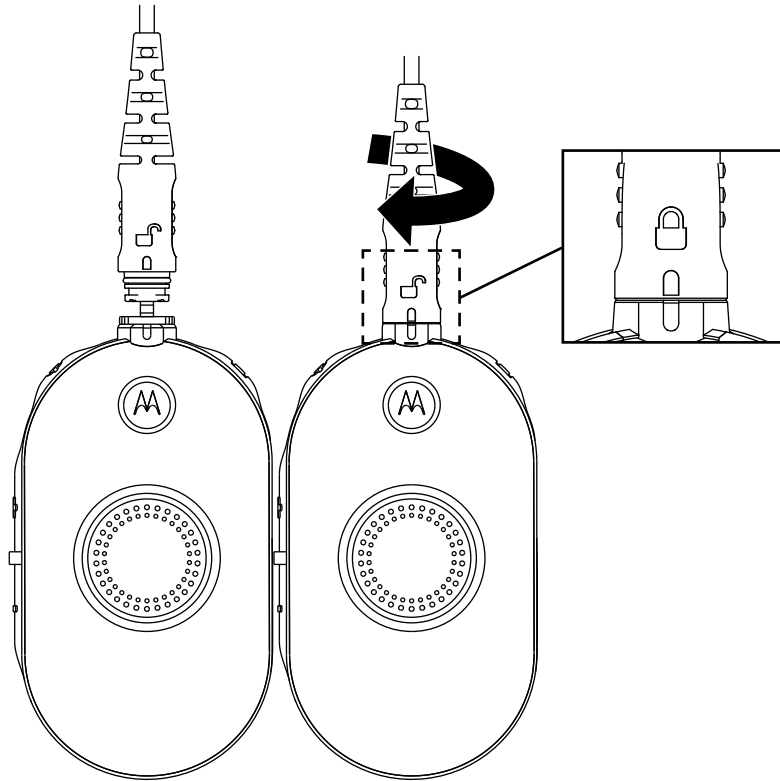
Préalables :

Éteignez la radio.

Procédure :


- 1 Branchez l'accessoire audio dans la radio en positionnant l'icône de déverrouillage de l'accessoire audio face à l'avant de la radio.
Veillez à ce que l'indicateur de l'accessoire audio et celui de la radio soient alignés.
- 2 Tournez la prise de l'accessoire audio jusqu'à ce que l'icône de cadenas soit orientée vers l'avant de la radio et que les indicateurs soient alignés.


Figure 3 : Connexion de l'accessoire audio filaire



- 3 Allumez la radio.
- 4 Pour vérifier que l'accessoire audio émet un son, appuyez sur le bouton **État, Menu** ou **Réglage du volume**.

Tableau 1 : Configuration du voyant supérieur si l'accessoire audio filaire n'est pas branché ou retiré

Mode utilisateur	État du voyant	Couleur
Radio allumée sans accessoire audio branché.	Bleu fixe	

Mode utilisateur	État du voyant	Couleur
Accessoire audio retiré pendant que la radio est allumée.	Clignotement rouge/violet jusqu'à ce qu'un accessoire audio soit branché	



REMARQUE :

Réduisez le volume de la radio avant de placer l'accessoire audio dans votre oreille ou à proximité.

Les radios de la série CLP sont compatibles avec divers accessoires audio. Pour obtenir la liste détaillée des accessoires audio, se reporter à <http://www.motorolasolutions.com/CLP> pour en savoir plus sur les accessoires approuvés.

2.3

Mise en marche et arrêt de la radio

Procédure :

- 1 Pour allumer la radio, maintenez le bouton **Mise en marche** et **batterie** enfoncé jusqu'à ce que vous entendiez une courte tonalité et que l'anneau d'illumination intelligente de l'état s'allume.
- 2 Pour éteindre la radio, maintenez le bouton **Mise en marche** et **batterie** enfoncé jusqu'à ce que vous entendiez une courte tonalité et que l'anneau d'illumination intelligente de l'état clignote une fois.

2.4

Réglage du volume

Procédure :

- 1 Pour augmenter le volume, appuyez sur le bouton +.



REMARQUE :

La radio possède 15 incréments de volume.

- 2 Pour baisser le volume, appuyez sur le bouton –.

2.5

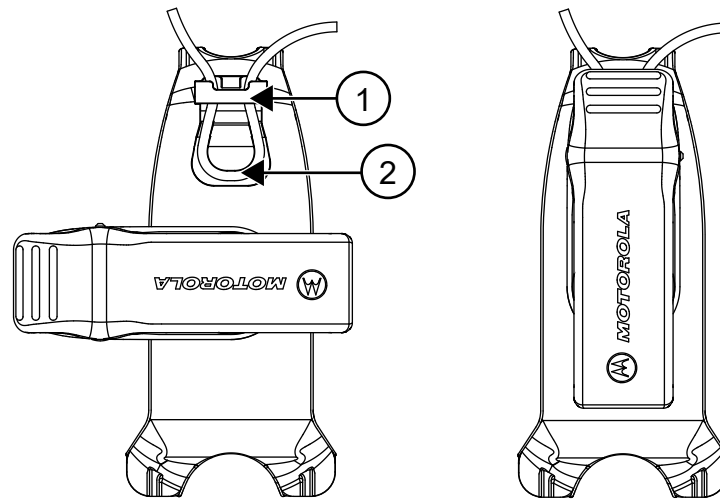
Insertion et retrait de la pince de ceinture pivotante

Les radios offrent divers accessoires de transport polyvalents. Pour consulter la liste des accessoires Motorola Solutions approuvés, se reporter à <http://www.motorolasolutions.com/CLP>.

Procédure :

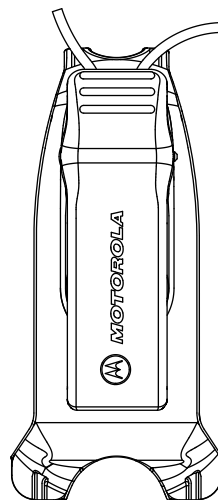
- 1 Pour insérer la radio dans l'étui, effectuez les étapes suivantes :
 - a Faites glisser la partie inférieure de la radio dans l'étui.
 - b Enclenchez le haut de l'étui sur la radio autour du connecteur d'accessoire.
- 2 Pour retirer la radio de l'étui, tirez sur la languette du haut ou du bas, puis tirez sur la radio pour l'enlever.
- 3 Faites une petite boucle dans le cordon, puis faites passer le cordon dans le guide. Insérez le cordon dans la rainure en U et tirez fermement sur le cordon pour le coincer.

Figure 4 : Étui avec pince de ceinture pivotante



Numéro d'article	Description
1	Guide de cordon
2	Rainure en U

- 4 Tournez la pince de ceinture à la position souhaitée.



2.6

Émission et réception

Procédure :

- 1 Pour faire des appels, effectuez l'une des actions suivantes :
 - Maintenez enfoncé le bouton **PTT** situé sur le devant de la radio.
 - Maintenez enfoncé le bouton **PTT** situé sur le câble d'accessoire audio doté d'un bouton **PTT** intégré.
- 2 Parlez clairement dans le microphone de l'accessoire audio.

- 3 Relâchez la touche **PTT** pour écouter.
- 4 Pour recevoir des appels, écoutez dans l'écouteur et appuyez sur le bouton **PTT** pour répondre.

2.6.1

Portée de communication

Tableau 2 : Portée de communication

Application	Industrielle (à l'intérieur des bâtiments industriels construits en acier et en béton)	Étages (intérieur des bâtiments à étages multiples)
Unité à unité	Jusqu'à 100 000 pi ² (9 200 m ²)	Jusqu'à 10 étages
Avec un répéteur	Jusqu'à 250 000 pi ² (23 200 m ²)	Jusqu'à 20 étages

2.7

Paramètres du menu

Procédure :

- 1 Pour naviguer dans les paramètres du menu, appuyez sur la touche **Menu**.
- 2 Pour quitter le menu, appuyez brièvement sur le bouton **PTT** ou attendez pendant trois secondes.

2.7.1

Fonctions qui utilisent les paramètres du menu

Cette section décrit les fonctions qui utilisent les paramètres du menu.



REMARQUE :

Il n'est pas nécessaire d'attendre la fin du message vocal avant d'appuyer sur le bouton Suivant.

Si vous êtes dans le mode de menu, appuyez brièvement sur le bouton **PTT** ou attendez trois secondes pour quitter le menu.

Procédure :

- 1 Changement de canal :
 - a Appuyez sur le bouton **Menu** pour naviguer jusqu'à **Canal**.
 - b Appuyez sur le bouton **+** ou **-** pour changer de canal.
- 2 Accéder au mode d'écoute :
 - a Appuyez sur le bouton **Menu** pour naviguer jusqu'à **Écoute**.
 - b Appuyez sur le bouton **+** pour activer le mode d'écoute ou sur le bouton **-** pour le désactiver.
- 3 Accéder au mode de balayage :
 - a Appuyez sur le bouton **Menu** pour naviguer jusqu'à **Balayage**.
 - b Appuyez sur le bouton **+** pour activer le mode de balayage ou sur le bouton **-** pour le désactiver.
- 4 Envoi de tonalités d'appel :

Cette fonction est activée à partir du logiciel de programmation client (CPS).

- a Appuyez sur le bouton **Menu** pour naviguer jusqu'à **Tonalité d'appel**.
- b Appuyez sur le bouton **+** ou **-** pour envoyer une tonalité d'appel.

2.8

Sélection des canaux

Procédure :






- 1 Sélectionnez la touche **Menu**.
 Vous entendez un message vocal vous invitant à changer le canal en appuyant sur le bouton **+** ou **-**.
- 2 Sélectionnez le canal souhaité.
 Le voyant indique la couleur du nouveau canal.
- 3 Appuyez sur le bouton **PTT** pour confirmer la sélection, sinon le canal sera activé après trois secondes d'attente.





2.8.1

Paramètres de canal par défaut pour le CPS

Le tableau décrit les paramètres de canal par défaut pour le logiciel de programmation client (CPS).

Tableau 3 : Paramètres de canal pour le CPS

Modèles à canal unique CLP1010e et CLP1013e			Modèles multicanaux CLP1080e et CLP1083e		
Canal	État du voyant	Couleur	Canal	État du voyant	Couleur
1		Rouge	1		Rouge
			2		Vert
			3		Jaune
			4		Bleu

Modèles à canal unique CLP1010e et CLP1013e			Modèles multicanaux CLP1080e et CLP1083e		
Canal	État du voyant	Couleur	Canal	État du voyant	Couleur
			5		Violet
			6		Blanc
			7		Turquoise
			8		Orange

2.8.2

Voyants à DEL

Fonction	Voyant DEL
Mode d'écoute	Continu, couleur de canal.
Tonalité d'appel	Continu momentanément, couleur de canal.
Balayage	Cycle dans le sens horaire, un voyant s'illuminant à la fois. La couleur du voyant change sur la fente supérieure à la fin de chaque cycle.
Allumer ou éteindre	La DEL rouge supérieure et la DEL blanche restante s'allument brièvement.
Configuration avancée de la radio	Vert clignotant.

2.8.2.1

Voyant de volume

Lorsque vous augmentez le volume, l'anneau d'illumination intelligente de l'état s'allume dans le sens horaire à partir de la partie inférieure gauche de l'anneau DEL.

Voici les trois niveaux de luminosité de chaque voyant lorsque vous augmentez le volume :

- Gradateur
- Moyen

- Luminosité maximale

2.9

Écoute de canaux

Cette fonction sert à vous assurer qu'un canal est libre avant de transmettre. Lorsqu'elle est activée, la radio remplace tous les paramètres de code programmés et permet au récepteur d'écouter sur n'importe quelle fréquence. Vous pouvez entendre un sifflement sur une fréquence nette. Si une fréquence est utilisée, vous pouvez entendre la diffusion.

Procédure :

- 1 Pour activer le mode d'écoute, appuyez sur le bouton **Menu** et accédez à **Sélection de moniteur**.
Si le mode d'écoute est désactivé, vous entendrez un message vocal vous invitant à l'activer en appuyant sur le bouton **+** ou **-**.
- 2 Appuyez sur le bouton **+** ou **-** pour activer ou désactiver le mode d'écoute.
Lorsque le mode d'écoute est activé, vous entendez de la statique si aucune activité n'est présente ou l'audio si une activité est présente.
- 3 Pour utiliser le mode d'écoute, activez-le dans le menu et laissez le délai d'inactivité du menu s'écouler.
- 4 Pour quitter le mode **Écoute**, appuyez sur le bouton **PTT**.

2.10

Balayage

Vous pouvez balayer jusqu'à huit canaux sur les modèles CLP1080e et CLP1083e.

Lorsque la radio détecte de l'activité, le balayage s'arrête et se bloque sur le canal actif. Cela vous permet de parler et d'écouter la personne qui émet sans changer de canal.

2.10.1

Balayage des canaux de la radio

Procédure :

- 1 Pour naviguer jusqu'au mode de balayage, appuyez sur le bouton **Menu**.
Si le balayage est désactivé, vous entendez un message vocal vous invitant à l'activer en appuyant sur le bouton **+** ou **-**.
- 2 Pour activer le balayage, appuyez sur le bouton **+** ou **-**.
Si le balayage est activé, vous entendez un message vocal vous invitant à le désactiver en appuyant sur le bouton **+** ou **-**.
- 3 Pour désactiver le balayage, appuyez sur le bouton **+** ou **-**.

2.11

Balayage Talkaround (En direct) dynamique

Cette fonction optimise la couverture des communications pour un répéteur local qui est activé sur les systèmes pour radios bidirectionnelles.

Le balayage Talkaround (En direct) dynamique peut être activé sur un canal de répéteur au moyen du logiciel de programmation client (CPS). Cette fonction donne à la radio la possibilité de balayer les fréquences de transmission et de réception d'un canal de répéteur.



REMARQUE :

Cette fonction a une priorité plus élevée que le mode de balayage. Si le balayage Talkaround (En direct) dynamique et le balayage sont activés sur le canal accueil, la radio peut uniquement prendre en charge le balayage Talkaround (En direct) dynamique.

2.12

Envoi de tonalités d'appel

Procédure :

- 1 Pour naviguer jusqu'à **Tonalité d'appel**, appuyez sur le bouton **Menu**.
- 2 Pour transmettre la tonalité d'appel sélectionnée, appuyez sur **+** ou **-**.



REMARQUE :

Six tonalités d'appel sont disponibles.

Cette fonction est activée à partir du logiciel de programmation client (CPS).

2.13

Activer la sourdine de la radio

La fonction de sourdine désactive le haut-parleur de votre radio.

Procédure :

- 1 Pour réduire ou couper le volume, maintenez enfoncé le bouton **+** ou **-**.
Vous entendez le message vocal « Sourdine » provenant de la radio.
- 2 Pour désactiver la sourdine, appuyez sur n'importe quel bouton.
Vous entendez le message vocal « Sourdine désactivée » provenant de la radio.

2.14

Transmission d'appel à l'échelon supérieur

La fonction de transmission d'appel à l'échelon supérieur vous permet de passer au canal de transmission d'appel à l'échelon supérieur et d'envoyer une tonalité d'appel sur ce canal.

Pour activer la fonction de transmission d'appel à l'échelon supérieur, ce canal doit être configuré dans le logiciel de programmation client (CPS). Appuyez longuement sur le bouton Menu pour activer la fonction de transmission d'appel à l'échelon supérieur et envoyer automatiquement comme tonalité d'appel de transmission d'appel sur le canal de transmission d'appel à l'échelon supérieur. Le délai de la transmission d'appel à l'échelon supérieur est lancé à la fin de chaque appel. Le délai de transmission d'appel à l'échelon supérieur de la radio est réglé pour une période prédéfinie. La transmission d'appel à l'échelon supérieur se termine lorsque le délai prend fin, et la radio retourne au canal précédent. Le délai est configuré dans le CPS.

Appuyez sur le bouton **PTT** pendant le délai de transmission d'appel à l'échelon supérieur pour parler sur le canal. Le délai de transmission d'appel à l'échelon supérieur est relancé dès que l'appel vocal est terminé, et vous pouvez recevoir des appels à partir d'autres radios sur le canal de transmission d'appel à l'échelon supérieur.

Lors du passage au canal de transmission d'appel à l'échelon supérieur, votre radio respecte le comportement du canal déjà sélectionné, à l'exception de la tonalité d'appel et de l'annonce du canal. La tonalité d'appel est configurée dans le CPS par la sélection de l'une des six tonalités d'appel.

Pour quitter le canal de transmission d'appel à l'échelon supérieur avant la fin du délai, appuyez brièvement sur le bouton **Marche, Arrêt, Menu** ou appuyez longuement sur le bouton **Menu**.

Chapitre 3

Batterie et chargeur

Ce chapitre décrit le fonctionnement de la batterie et du chargeur de la radio.

3.1

Spécifications de la batterie

La radio est équipée d'une batterie au lithium-ion rechargeable. Pour garantir une capacité et des performances optimales, la batterie doit être chargée avant la première utilisation.

L'autonomie de la batterie dépend de plusieurs facteurs. Parmi les plus importants, on retrouve la surcharge régulière des batteries et le niveau de perte de charge associé à chaque cycle. Un état de surcharge fréquent et un niveau de perte de charge moyen important entraînent une diminution du nombre de cycles de la batterie. Une batterie surchargée et déchargée à 100 % plusieurs fois par jour offrira moins de cycles de vie qu'une batterie moins surchargée et dont le niveau de perte de charge est de 50 % par jour. Une batterie ayant un minimum de surcharge et un niveau de perte de charge moyen de 25 % durera plus longtemps.

Les batteries Motorola Solutions sont conçues spécifiquement pour être utilisées avec un chargeur Motorola Solutions et inversement. La charge des batteries au moyen d'un chargeur non-Motorola Solutions peut endommager la batterie et annuler sa garantie. Dans la mesure du possible, maintenir la température de la batterie à 25 °C (77 °F) (température ambiante). La charge de la batterie froide (moins de 10 °C [50 °F]) peut entraîner une fuite d'électrolytes et, éventuellement, la défaillance de la batterie. La charge d'une batterie chaude (plus de 35 °C [95 °F]) réduit la capacité de charge, ce qui affecte la performance de la radio. Les chargeurs rapides de Motorola Solutions contiennent un circuit de détection thermique pour s'assurer que la température des batteries en cours de charge respecte les seuils de température.

3.2

Durée de vie de la batterie

L'estimation de l'autonomie de la batterie est de 18 heures, basée sur une répartition de 5 % de transmission, 5 % de réception et 90 % de veille (cycle d'utilisation standard).

3.3

Recyclage et mise au rebut des batteries

Les batteries rechargeables au lithium-ion peuvent être recyclées. Cependant, on ne retrouve pas des installations de recyclage appropriées dans toutes les régions. En vertu de différentes lois d'États américains et des lois de plusieurs autres pays, les batteries doivent être recyclées et ne peuvent pas être mises au rebut dans les sites d'enfouissement ou les incinérateurs. Communiquez avec votre agence de gestion de l'élimination des déchets obtenir des renseignements et connaître les exigences applicables dans votre région. Motorola Solutions soutient pleinement et encourage le recyclage des batteries au lithium-ion.

Aux États-Unis et au Canada, Motorola Solutions participe au programme national Call2Recycle qui a comme objectif la collecte et le recyclage des batteries. De nombreux détaillants et distributeurs participent à ce programme. Pour connaître l'emplacement du dépôt de batteries le plus près de vous, consultez le site de Call2Recycle au <https://www.call2recycle.org/> ou composez le 1 800 8-BATTERY. Le site Web et le numéro de téléphone sont également des sources utiles d'information sur les options de recyclage offertes aux consommateurs, aux entreprises et aux agences gouvernementales.

3.4

Retrait de la batterie au lithium-ion

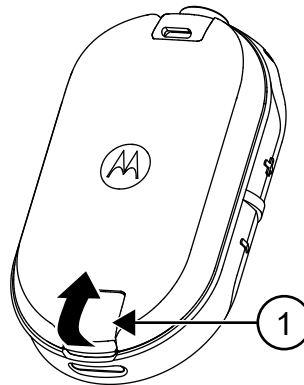
Préalables :

Assurez-vous que la radio est éteinte.

Procédure :

- 1 Dans le bas du couvercle de la batterie, soulevez le loquet et retirez le couvercle de la batterie de la radio.
- 2 Retirez la batterie de la radio.

Figure 5 : Retrait de la batterie



Numéro d'article	Description
1	Loquet de la batterie

3.5

Bloc d'alimentation, adaptateur et chargeur instantané

La radio est fournie avec un chargeur instantané avec transformateur.

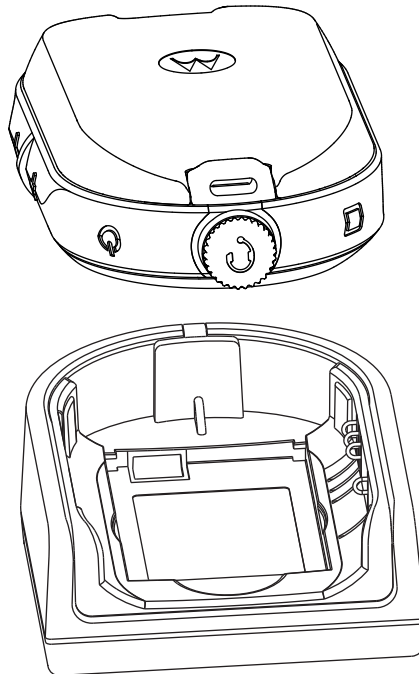


REMARQUE :

Applicable aux modèles non offerts en vrac uniquement.

Pour de plus amples renseignements sur les accessoires, consultez [Accessoires à la page 54](#).

Figure 6 : Bloc d'alimentation, adaptateur et chargeur instantané



3.6

Batterie autonome

La batterie peut être rechargée en tant que batterie autonome.

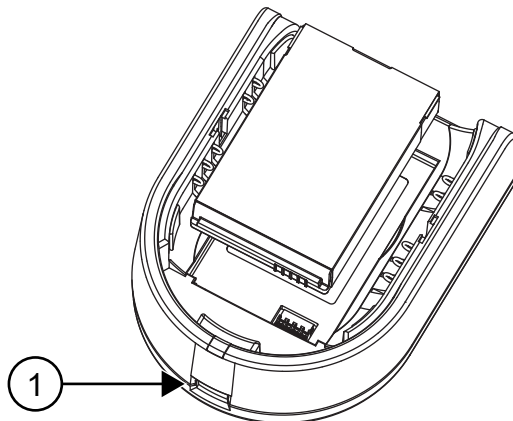
La batterie est chargée au moyen d'un chargeur individuel (SUC) ou un chargeur multi-unités (MUC).



REMARQUE :

Lorsque vous vous procurez des chargeurs ou des blocs d'alimentation supplémentaires, assurez-vous d'avoir des ensembles de chargeurs instantanés et de blocs d'alimentation semblables. Pour plus de renseignements sur les accessoires, reportez-vous à [Accessoires à la page 54](#).

Figure 7 : Batterie autonome



Numéro d'article	Description
1	Port micro-USB

3.6.1

Chargement d'une batterie autonome à l'aide du chargeur SUC à support

Procédure :

- 1 Pour charger la batterie, insérez le connecteur du bloc d'alimentation dans le port micro-USB à l'avant du chargeur instantané.
- 2 Branchez le bloc d'alimentation à une prise c.a. appropriée.
- 3 Insérez la batterie dans le chargeur, avec la surface intérieure de la batterie faisant face à l'avant du chargeur. Voir [Batterie autonome à la page 29](#).
- 4 Veillez à ce que les fentes de la batterie soient bien enclenchées dans le chargeur.

3.6.2

Charger une batterie autonome avec le chargeur instantané MUC (accessoire en option)

Procédure :

- 1 Déposez le chargeur sur une surface plane ou fixez-le au mur.
- 2 Branchez le cordon d'alimentation à la prise du MUC.
- 3 Branchez le cordon à une prise murale, puis sur le chargeur.
- 4 Insérez la batterie dans le compartiment de charge avec la surface intérieure de la batterie faisant face à l'avant du chargeur.
- 5 Veillez à ce que les fentes de la batterie soient bien enclenchées dans le chargeur.

3.6.3

Durée de charge estimée

Les tableaux suivants indiquent les durées de charge estimées de la batterie.

Tableau 4 : Durée de charge estimée

Solution de charge	Batterie au lithium-ion haute capacité
Chargeur individuel	5,5 heures
Multichargeur	4 heures

3.7

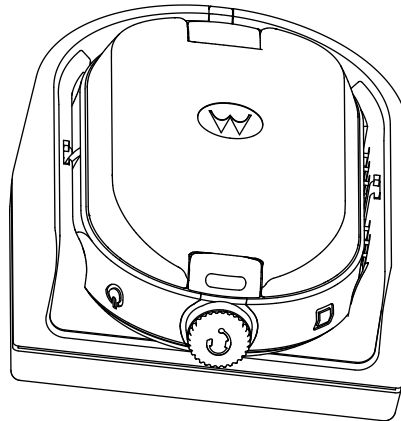
Chargement de la radio avec le chargeur SUC à support de charge

Procédure :

- 1 Déposez le chargeur individuel (SUC) instantané sur une surface plane.

- 2 Insérez le connecteur du bloc d'alimentation dans le port micro-USB à l'avant du chargeur instantané.
- 3 Branchez le bloc d'alimentation approprié à une prise c.a. appropriée.
- 4 Insérez la radio avec la batterie installée dans le chargeur, face vers le bas, en vous assurant que les contacts de charge du chargeur sont alignés sur les contacts de la radio.

Figure 8 : Charge de la radio



REMARQUE :

Lorsque vous chargez une batterie reliée à une radio, assurez-vous que la radio est éteinte. Vous pouvez activer la mise hors tension automatique de la radio lorsque celle-ci est insérée dans le chargeur, à l'aide du logiciel de programmation client (CPS).

3.8

Charge avec le chargeur instantané MUC (accessoire en option)

Le chargeur multi-unités (MUC) permet de charger simultanément jusqu'à six radios. Chacun des six compartiments de charge peut contenir une radio avec sa batterie installée. Le MUC contient des logements pour le rangement des écouteurs.

Procédure :

- 1 Déposez le chargeur sur une surface plane ou fixez-le au mur.
- 2 Branchez le cordon d'alimentation à la prise du MUC.
- 3 Branchez le cordon à une prise murale, puis sur le chargeur.
- 4 Éteignez la radio.



REMARQUE :

Lorsque vous chargez une batterie connectée à la radio, assurez-vous que la radio est éteinte. Vous pouvez activer ou désactiver la mise hors tension automatique de la radio lorsque celle-ci est insérée dans le chargeur, à l'aide du logiciel de programmation client (CPS).

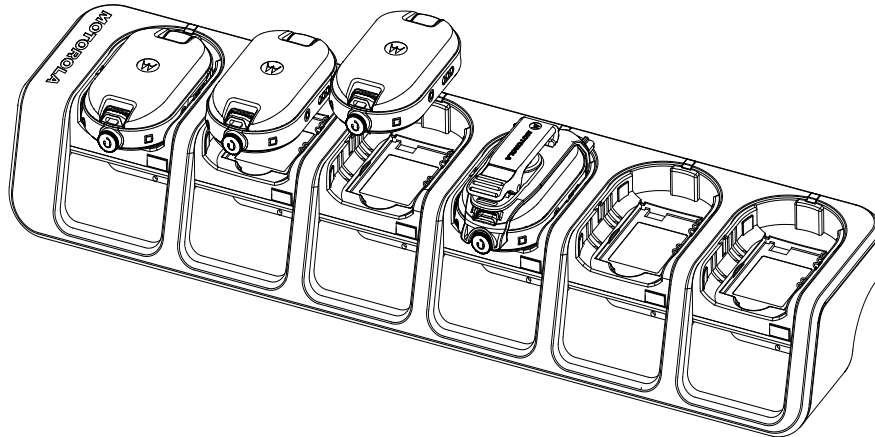
- 5 Insérez la radio face vers le bas avec la batterie installée dans le compartiment de charge en vous assurant que les contacts de la radio sont alignés sur les contacts du MUC.



REMARQUE :

La batterie se recharge seule à l'aide de l'emplacement sur la surface plane du compartiment de chargement.

Figure 9 : Charge des radios



3.9

Indications du voyant du chargeur

Sur le chargeur instantané, le compartiment de charge de la radio comporte un voyant de charge.

Sur le chargeur multi-unités (MUC), chacun des six compartiments de charge possède un voyant. Les voyants DEL sont regroupés en paires pour indiquer les compartiments de charge jumelés.







REMARQUE :

Vous pouvez cloner un maximum de deux radios sources et deux radios cibles à l'aide du MUC. Pour plus d'informations sur le clonage, reportez-vous à [Clonage radio à la page 37](#).

Pour plus d'informations sur les numéros de pièce, reportez-vous à [Accessoires à la page 54](#).

Tableau 5 : Voyant DEL du chargeur

État	Voyant DEL	
La batterie est en charge	Rouge fixe	
La batterie est entièrement chargée	Vert fixe	
Batterie défectueuse ³	Rouge clignotant	
 REMARQUE :	Le voyant est rouge lorsque la batterie est en cours de chargement. Il passe au vert lorsque la batterie est complètement chargée.	

³ Remplacez le bloc-batterie pour corriger le problème de batterie.

3.10





Vérification de l'état de la batterie

Procédure :

Appuyez brièvement sur le bouton **Mise en marche et batterie**.

L'anneau d'illumination intelligente de l'état et la fonction d'assistance vocale affichent l'état de la batterie.

Tableau 6 : État de la batterie

Niveau de la batterie	Voyant DEL	Couleur
Élevé (50 à 100 %)		Vert
Moyen (20 à 50 %)		Jaune
Faible (3 à 20 %)		Rouge
Critique (0 à 3 %)		Rouge clignotant

La radio retourne à la couleur du canal actuel après avoir indiqué l'état de la batterie.

Chapitre 4

Programmation de la radio au moyen du CPS

Vous pouvez programmer ou modifier les fonctions de vos radios en utilisant le logiciel de programmation client (CPS) et le câble de programmation CPS.

Le CPS est disponible gratuitement en tant que logiciel téléchargeable sur le Web à l'adresse <http://www.motorolasolutions.com/CLP>.

4.1

Programmation de la radio

Préalables :

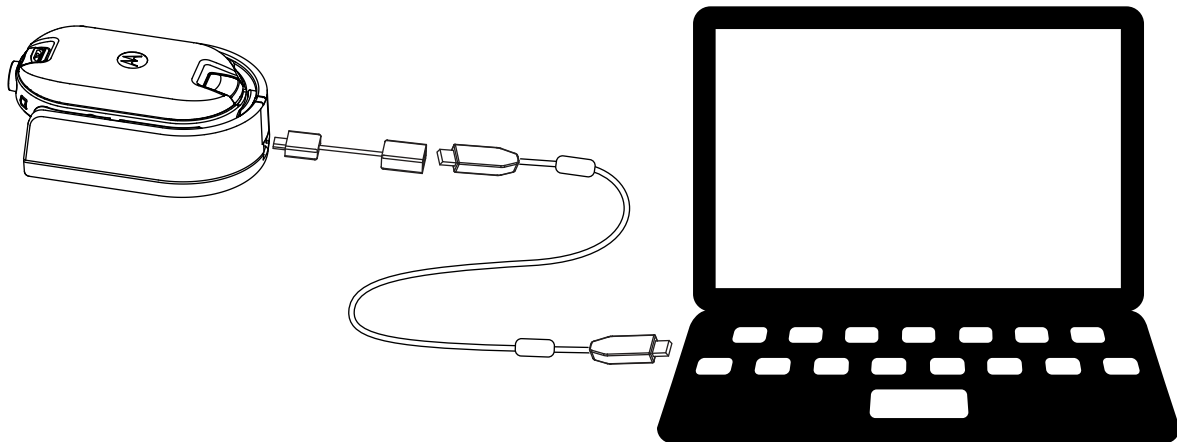
Installez le logiciel de programmation client (CPS) sur votre ordinateur.

Assurez-vous que la radio est allumée.

Procédure :

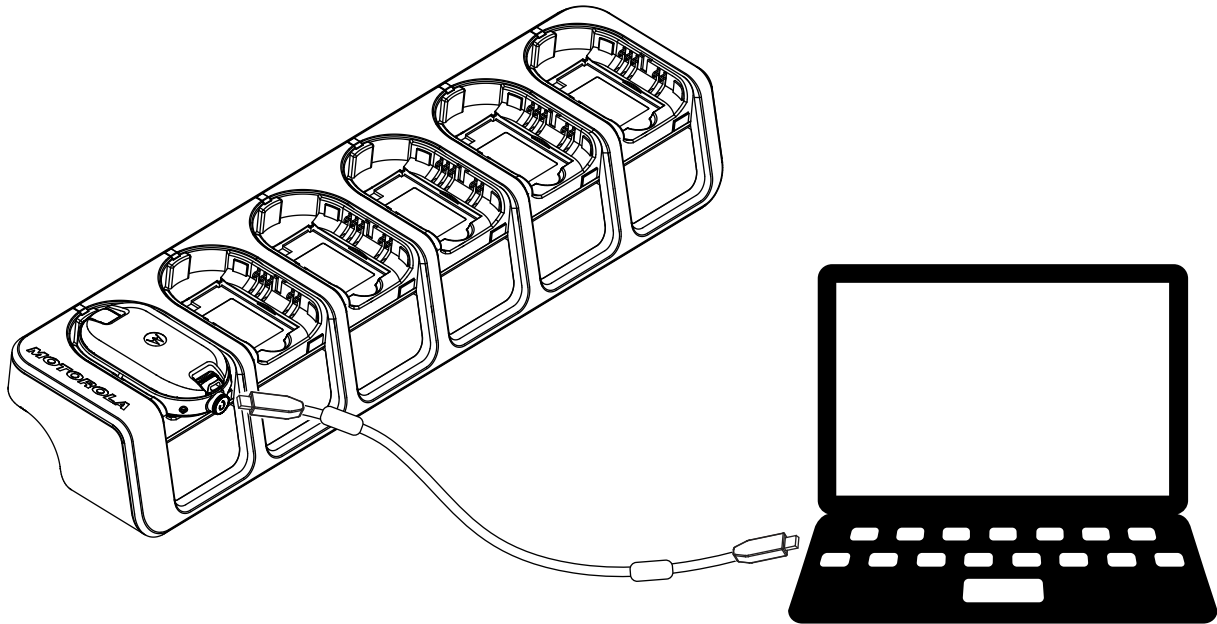
- 1 Branchez la radio à l'aide du chargeur à support ou du compartiment de charge affichant l'étiquette **PROG** sur le multichargeur et le câble de programmation CPS.⁴

Figure 10 : Programmation de la radio au moyen d'un chargeur individuel



⁴ Le câble de programmation CPS (P/N HKKN4027_) est un accessoire vendu séparément. Contactez votre point de vente Motorola Solutions pour en savoir plus.

Figure 11 : Programmation de la radio au moyen d'un chargeur multi-unités



- 2 Réglez le commutateur du câble au mode analogique.
- 3 Une fois la radio connectée, ouvrez le CPS et sélectionnez **Lire** sur la barre d'outils pour obtenir le profil de la radio.

Vous pouvez modifier les paramètres généraux, audio, de menu, de canaux et de liste de balayage, personnaliser les paramètres PL/DPL et sélectionner les fréquences et les codes PL/DPL sur chaque canal.

- 4 Pour enregistrer les paramètres, sélectionnez **Écriture dans la radio** dans la barre d'outils.



REMARQUE :

Pour plus de renseignements sur le CPS, consultez le menu **Aide** dans le CPS.

4.2

Paramètres par défaut

Votre radio est programmée à l'usine avec les paramètres suivants :

Tableau 7 : Paramètres par défaut de radios à un canal CLP1010e 1W UHF - BRUS

Numéro de canal	N° de fréquence	Paramètres de fréquence (MHz)	Valeur de code (Hz)	Bande passante (kHz)
1	2	464,5500	67,0	12,5

Tableau 8 : Paramètres par défaut de radios à huit canaux CLP1080e 1W UHF-BRUS

Numéro de canal	Paramètres de fréquence (MHz)	Valeur de code (Hz)	Bande passante (kHz)
1	464,5500	67,0	12,5
2	467,9250	67,0	12,5
3	467,8500	67,0	12,5
4	467,8750	67,0	12,5
5	461,0625	67,0	12,5
6	461,1125	67,0	12,5
7	461,1625	67,0	12,5
8	461,2125	67,0	12,5

Tableau 9 : Paramètres par défaut de radios à un canal CLP1013e 1W UHF – BRCAN

Numéro de canal	N° de fréquence	Paramètres de fréquence (MHz)	Valeur de code (Hz)	Bande passante (kHz)
1	2	458,6625	67,0	12,5

Tableau 10 : Paramètres par défaut de radios à huit canaux CLP1083e 1W UHF - BRCAN

Numéro de canal	Paramètres de fréquence (MHz)	Code PL/DPL (Hz)	Bande passante (kHz)
1	458,6625	67,0	12,5
2	469,2625	67,9	12,5
3	458,6625	71,9	12,5
4	469,2625	71,9	12,5
5	458,6625	74,4	12,5
6	469,2625	74,4	12,5
7	458,6625	77,0	12,5
8	469,2625	77,0	12,5

Chapitre 5

Clonage radio

Cette fonction vous permet de cloner les paramètres radio d'un appareil à un autre.

5.1

Clonage des paramètres radio

Vous pouvez copier les paramètres radio de la radio source à une autre radio.

Vous pouvez utiliser les chargeurs et les câbles suivants pour faire le clonage :

- Ensemble avec chargeur individuel (SUC) pour série CLP, numéro de pièce HKPN4008⁵ et ensemble avec câble de clonage pour série CLP, numéro de pièce HKKN4028_ (accessoire en option).
- Ensemble avec chargeur multi-unités (MUC), numéro de pièce HKPN4007_ (accessoire en option)

Il n'est pas nécessaire de brancher le MUC pendant le clonage, mais les batteries des deux radios doivent être chargées.

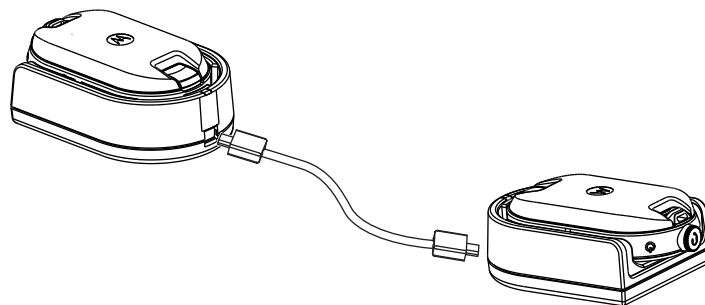
5.2

Clonage de radios avec le câble de clonage

Préalables :

- Batterie complètement chargée dans chaque radio.
- Deux ensembles avec chargeur individuel (SUC).
- Les deux radios sont éteintes.
- Radio source : radio qui sera clonée.
- Radio cible : radio vers laquelle la configuration de la radio source sera copiée.

Figure 12 : Clonage de la radio au moyen d'un chargeur individuel



Procédure :

- 1 Débranchez tous les câbles (câbles d'alimentation ou micro-USB) des SUC.

⁵ Révision C et ultérieure

- 2 Branchez une extrémité micro-USB du câble de clonage dans le premier SUC et l'autre extrémité dans le second SUC.



REMARQUE :

Veillez à ce que le commutateur du câble de clonage soit réglé à **Legacy**.

Pendant le processus de clonage, les SUC ne seront pas alimentés. Les batteries ne peuvent pas être chargées. Une communication de données est établie entre les deux radios.

- 3 Allumez la radio cible et placez-la dans l'un des SUC.
- 4 Pour allumer la radio source, maintenez les boutons **PTT** et **-** enfoncés simultanément tout en allumant la radio jusqu'à ce que vous entendiez la tonalité de clonage.
- 5 Pour commencer le processus de clonage, placez la radio source dans son SUC avec un accessoire audio, puis appuyez brièvement sur le bouton **Menu**.
En cas de réussite, la radio source émet une tonalité mélodieuse.
En cas d'échec, la radio source fait entendre une tonalité au son mat.
La tonalité retentit pendant cinq secondes ou moins.
- 6 Éteignez les radios et rallumez-les pour les faire passer au mode utilisateur en quittant le mode de clonage lorsque le processus de clonage est terminé.



REMARQUE :

Lorsque la radio est en mode de clonage, la fonction de **mise hors tension automatique** n'est pas active.

5.3

Clonage de radios avec le chargeur multi-unités

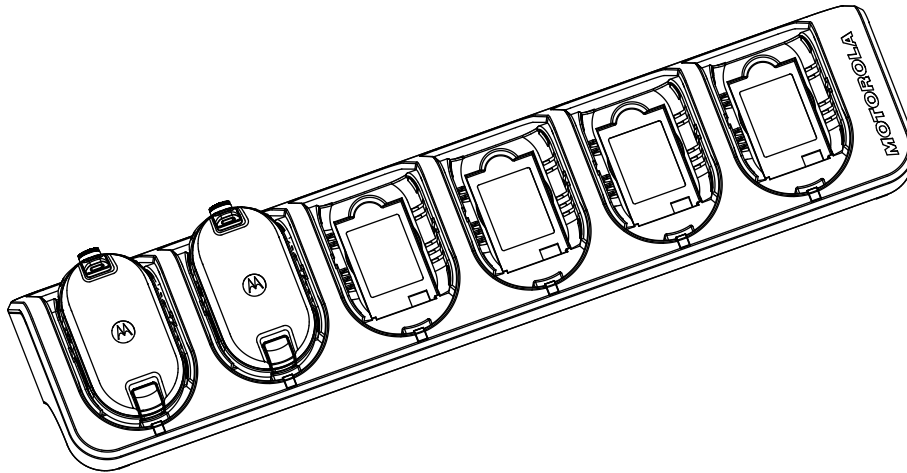
Préalables :

- Batterie complètement chargée dans chaque radio.
- Chargeur multi-unités (MUC) pour série CLP.
- Les deux radios sont éteintes.
- Radio source : radio qui sera clonée.
- Radio cible : radio vers laquelle la configuration de la radio source sera copiée.

Procédure :

- 1 Pour mettre la radio source en mode de clonage, maintenez les boutons **PTT** et **-** de la radio source enfoncés simultanément tout en allumant la radio jusqu'à ce que vous entendiez la tonalité de clonage.
- 2 Placez la radio source dans l'un des compartiments de charge portant l'étiquette **CLONE**.
- 3 Allumez la radio cible et placez-la dans le compartiment de charge de jumelage portant l'étiquette **CLONE**, puis démarrez le processus de clonage.
- 4 Pour commencer le processus de clonage, appuyez sur le bouton **Menu** de la radio source.
La radio source émet la tonalité de début de clonage.
- 5 Pour activer la radio, éteignez-la et rallumez-la lorsque le processus de clonage est terminé.
- 6 Pour cloner une autre radio, répétez les étapes [étape 3](#) à [étape 5](#).
- 7 Pour quitter le mode clonage sur la radio source, éteignez la radio.

Figure 13 : Clonage de la radio au moyen d'un chargeur multi-unités



5.4

Dépannage du mode de clonage

Où et quand utiliser :

La voix audible de la radio prononce «Bonk» indiquant que le processus de clonage a échoué. En cas d'échec du clonage, effectuez chacune des étapes ci-dessous avant de faire une nouvelle tentative de clonage.

Procédure :

- 1 Assurez-vous que les batteries des deux radios sont totalement chargées et correctement insérées dans les radios.
- 2 Vérifiez le branchement du câble de clonage sur les deux chargeurs individuels (SUC).
- 3 Assurez-vous qu'il n'y a pas de saleté dans le support de charge ou sur les bornes de la radio, et assurez-vous que la borne de la radio touche bien la borne du SUC ou du multichargeur (MUC).
- 4 Assurez-vous que la radio cible est bien allumée.
- 5 Assurez-vous que la radio source est bien en mode de clonage.
- 6 Assurez-vous que les deux radios sont sur la même bande de fréquences et dans la même région, et qu'elles utilisent la même puissance d'émission.



REMARQUE :

Le câble de clonage est conçu pour fonctionner uniquement avec des chargeurs individuels (SUC) de Motorola Solutions..

Lorsque vous commandez un ensemble de câblage de clonage, assurez-vous de commander l'ensemble portant le numéro de pièce HKKN4028_. Pour plus d'informations sur les accessoires, reportez-vous à [Accessoires à la page 54](#).

Chapitre 6

Configuration avancée de la radio

La fonction de configuration avancée de la radio vous permet de configurer les paramètres à partir d'une liste préprogrammée sans utiliser d'ordinateur.

Le mode de configuration avancée vous permet de personnaliser les paramètres suivants :

- Canaux
- Fréquences
- Codes (CTCC/DPL)

Le paramètre **Fréquences** vous permet de sélectionner les fréquences des canaux. Le paramètre **Codes** vous aider à réduire les interférences en vous offrant un choix de combinaisons de code qui éliminent la statique, le bruit et les messages indésirables.

6.1

Accès au mode de configuration avancée de la radio

Préalables :

Éteignez la radio.

Procédure :

- 1 Appuyez sur les boutons **PTT**, **+** et **Mise en marche** simultanément et tenez-les enfoncés pendant 3 à 5 secondes jusqu'à ce que vous entendiez un son et l'invite vocale *Mode programmation*.
Le voyant DEL clignote en vert.
- 2 Pour sélectionner les paramètres que vous souhaitez modifier, appuyez sur le bouton **Menu**.
Les paramètres suivants peuvent être modifiés :
 - Canal (pour les modèles multicanaux)
 - Fréquence
 - CodeLes annonces vocales indiquent les éléments de menu et leurs paramètres actuels.
- 3 Pour modifier les paramètres, appuyez sur le bouton **+** ou **-**.
- 4 Pour accéder à l'élément de menu suivant, appuyez sur le bouton **Menu**.
- 5 Pour quitter le mode **Configuration avancée de la radio**, maintenez le bouton **PTT** enfoncé jusqu'à ce que vous entendiez un son.

Chapitre 7

Dépannage


Le tableau suivant explique les méthodes de dépannage en cas de symptôme.


7.1

Symptômes et solutions

Procédure :

1

Si...	Alors...
Absence d'alimentation.	<p>Rechargez ou remplacez la batterie au lithium-ion.</p> <p> REMARQUE : Des températures de fonctionnement extrêmes peuvent diminuer l'autonomie de la batterie.</p> <p>Voir Spécifications de la batterie à la page 27.</p>
Entente d'autres bruits ou conversations sur un canal	<p>La fréquence ou le code de réduction d'interférence peuvent être utilisés.</p> <p>Effectuez l'une des actions suivantes :</p> <ul style="list-style-type: none"> • Confirmez que le code de réduction d'interférence est programmé. • Modifiez les paramètres de fréquences ou de codes sur toutes les radios. • Assurez-vous que la radio est à la fréquence et au code appropriés au moment de la transmission.
Message brouillé	<p>Le Code de brouillage peut être activé, ou le réglage ne correspond pas aux paramètres des autres radios.</p> <p>Modifiez les paramètres avec le logiciel de programmation client (CPS).</p>
Qualité audio insuffisante	<p>Les paramètres radio pourraient ne pas concorder.</p> <p>Vérifiez les fréquences, les codes et les bandes passantes pour vous assurer que les paramètres sont les mêmes pour toutes les radios.</p>
Portée de communication limitée	<p>Effectuez l'une des actions suivantes :</p>

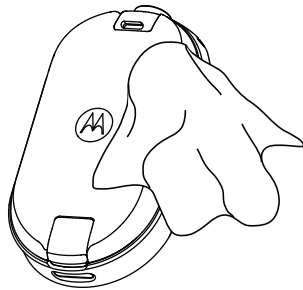
Si...	Alors...
	<ul style="list-style-type: none"> • Les radios doivent être en ligne directe pour obtenir une bonne qualité de transmission. Éloignez-vous des structures en acier, en béton, du feuillage dense, des bâtiments ou des véhicules. • Modifiez la position de la radio. • Pour accroître la portée et la couverture, vous pouvez réduire les obstacles et augmenter la puissance. Les radios UHF ont une meilleure couverture dans les bâtiments industriels et commerciaux. Le fait d'augmenter la puissance fournit une meilleure portée du signal et une pénétration accrue à travers les obstacles.
Message non transmis ou reçu	<p>Effectuez l'une des actions suivantes :</p> <ul style="list-style-type: none"> • Assurez-vous d'enfoncer complètement le bouton PTT quand vous transmettez. • Confirmez que les radios ont un canal, une fréquence, un code de réduction de l'interférence et des paramètres de code de brouillage identiques. Voir Émission et réception à la page 20. • Rechargez, remplacez ou réinstallez les batteries. Voir Spécifications de la batterie à la page 27. • Changez l'emplacement de la radio. La présence d'obstacles ou l'utilisation à l'intérieur d'un bâtiment ou d'un véhicule peuvent être associées à de l'interférence. . • Assurez-vous que la radio n'est pas en mode balayage. Voir Balayage des canaux de la radio à la page 24.
Statique ou interférence excessive	<p>Les radios sont trop proches. Assurez-vous que les radios émettrices et réceptrices sont espacées d'au moins 1,5 m (5 pi).</p> <p>Les radios sont trop éloignées ou des obstacles gênent la transmission.</p>
Batteries faibles	<p>Rechargez ou remplacez la batterie au lithium-ion.</p> <p> REMARQUE : Des températures de fonctionnement extrêmes peuvent diminuer l'autonomie de la batterie.</p>

Si...	Alors...
	Voir Spécifications de la batterie à la page 27 .
Le voyant à DEL du chargeur ne clignote pas	Effectuez l'une des actions suivantes : <ul style="list-style-type: none">• Vérifiez que la radio et la batterie sont correctement insérées.• Vérifiez les contacts de la batterie et du chargeur pour vous assurer qu'ils sont propres et que la broche de charge est insérée correctement. Voir le Chargement d'une batterie autonome à l'aide du chargeur SUC à support à la page 30 et le Indications du voyant du chargeur à la page 32 .
La batterie ne se charge pas, même si elle a été placée dans le support de charge pendant un long moment	Effectuez l'une des actions suivantes : <ul style="list-style-type: none">• Vérifiez que le chargeur instantané est bien branché et compatible avec le bloc d'alimentation utilisé. Voir Chargement d'une batterie autonome à l'aide du chargeur SUC à support à la page 30.• Vérifiez si les voyants à DEL du chargeur indiquent un problème au niveau de la batterie. Voir Indications du voyant du chargeur à la page 32.

Chapitre 8

Utilisation et entretien

Ce chapitre décrit l'entretien de la radio.



Utilisez un chiffon doux
humide pour nettoyer
l'extérieur

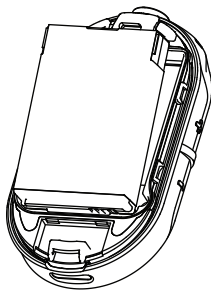


Ne plongez pas la radio dans
l'eau

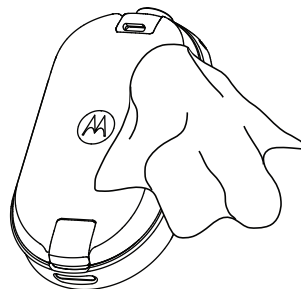


N'utilisez pas d'alcool ni de
solutions nettoyantes

Si la radio est immergée dans l'eau :



Éteignez la radio et retirez les
batteries



Asséchez-la avec un chiffon
doux



N'utilisez pas la radio
tant qu'elle n'est pas
complètement sèche



REMARQUE :

La radio est classée IP54 uniquement lorsque le couvercle antipoussière ou l'accessoire audio est branché dans le connecteur.

Chapitre 9

Graphiques des fréquences et des codes de la radio

Les tableaux suivants contiennent les informations sur les fréquences et sont utiles lorsque vous utilisez des radios bidirectionnelles de série CLP de Motorola Solutions avec d'autres radios professionnelles.

La plupart des emplacements de fréquence sont les mêmes que ceux des séries M, GT, S, XTN, RDX et CLS, mais les bandes passantes sont différentes.

9.1

Liste de fréquences et de bandes passantes pour le Canada

Tableau 11 : Liste de fréquences et de bandes passantes

N° de fréquence	Paramètres de fréquence (MHz)	Bande passante (kHz)
1	458,6625	12,5
2	469,2625	12,5

9.2

Fréquences CLP

Tableau 12 : Fréquences UHF CLP

N° de fréquence	Fréquence (MHz)	Bande passante (kHz)	N° de fréquence	Fréquence (MHz)	Bande passante (kHz)
1	464,5000	12,5	46	466,3375	12,5
2	464,5500	12,5	47	466,3625	12,5
3	467,7625	12,5	48	467,7875	12,5
4	467,8125	12,5	49	467,8375	12,5
5	467,8500	12,5	50	467,8625	12,5
6	467,8750	12,5	51	467,8875	12,5
7	467,9000	12,5	52	467,9125	12,5
8	467,9250	12,5	53	469,4875	12,5
9	461,0375	12,5	54	469,5125	12,5
10	461,0625	12,5	55	469,5375	12,5
11	461,0875	12,5	56	469,5625	12,5
12	461,1125	12,5	57	462,1875	12,5

N° de fréquence	Fréquence (MHz)	Bande passante (kHz)	N° de fréquence	Fréquence (MHz)	Bande passante (kHz)
13	461,1375	12,5	58	462,4625	12,5
14	461,1625	12,5	59	462,4875	12,5
15	461,1875	12,5	60	462,5125	12,5
16	461,2125	12,5	61	467,1875	12,5
17	461,2375	12,5	62	467,4625	12,5
18	461,2625	12,5	63	467,4875	12,5
19	461,2875	12,5	64	467,5125	12,5
20	461,3125	12,5	65	451,1875	12,5
21	461,3375	12,5	66	451,2375	12,5
22	461,3625	12,5	67	451,2875	12,5
23	462,7625	12,5	68	451,3375	12,5
24	462,7875	12,5	69	451,4375	12,5
25	462,8125	12,5	70	451,5375	12,5
26	462,8375	12,5	71	451,6375	12,5
27	462,8625	12,5	72	452,3125	12,5
28	462,8875	12,5	73	452,5375	12,5
29	462,9125	12,5	74	452,4125	12,5
30	464,4875	12,5	75	452,5125	12,5
31	464,5125	12,5	76	452,7625	12,5
32	464,5375	12,5	77	452,8625	12,5
33	464,5625	12,5	78	456,1875	12,5
34	466,0375	12,5	79	456,2375	12,5
35	466,0625	12,5	80	456,2875	12,5
36	466,0875	12,5	81	468,2125	12,5
37	466,1125	12,5	82	468,2625	12,5
38	466,1375	12,5	83	468,3125	12,5
39	466,1625	12,5	84	468,3625	12,5
40	466,1875	12,5	85	468,4125	12,5
41	466,2125	12,5	86	468,4625	12,5
42	466,2375	12,5	87	468,5125	12,5
43	466,2625	12,5	88	468,5625	12,5
44	466,2875	12,5	89	468,6125	12,5
45	466,3125	12,5	90	468,6625	12,5

9.3

Codes de réduction de l'interférence CTCSS/DPL

Tableau 13 : Codes de réduction de l'interférence CTCSS/DPL

CTCSS	Code	CTCSS/ DPL	Code	DPL	Code	DPL	Code	DPL	Code
0	Désactivé	24	151,4	47	54	71	243	95	445
1	67,0	25	156,7	48	65	72	244	96	464
2	71,9	26	162,2	49	71	73	245	97	465
3	74,4	27	167,9	50	72	74	251	98	466
4	77,0	28	173,8	51	73	75	261	99	503
5	79,7	29	179,9	52	74	76	263	100	506
6	82,5	30	186,2	53	114	77	265	101	516
7	85,4	31	192,8	54	115	78	271	102	532
8	88,5	32	203,5	55	116	79	306	103	546
9	91,5	33	210,7	56	125	80	311	104	565
10	94,8	34	218,1	57	131	81	315	105	606
11	97,4	35	225,7	58	132	82	331	106	612
12	100,0	36	233,6	59	134	83	343	107	624
13	103,5	37	241,8	60	143	84	346	108	627
14	107,2	38	250,3	61	152	85	351	109	631
15	110,9	122	69,3	62	155	86	364	110	632
16	114,8	39	23,0	63	156	87	365	111	654
17	118,8	40	25,0	64	162	88	371	112	662
18	123,0	41	26,0	65	165	89	411	113	664
19	127,3	42	31,0	66	172	90	412	114	703
20	131,8	43	32,0	67	174	91	413	115	712
21	136,5	44	43,0	68	205	92	423	116	723
22	141,3	45	47,0	69	223	93	431	117	731
23	146,2	46	51,0	70	226	94	432	118	732
								119	734

Tableau 14 : Codes de réduction de l'interférence CTCSS/DPL (suite)

DPL	Code	DPL	Code	DPL	Code	DPL	Code
120	743	146	DPL 55 inversé	171	DPL 80 inversé	195	DPL 104 inversé
121	754	147	DPL 56 inversé	172	DPL 81 inversé	196	DPL 105 inversé

DPL	Code	DPL	Code	DPL	Code	DPL	Code
123	645	148	DPL 57 inversé	173	DPL 82 inversé	197	DPL 106 inversé
124	PL personn alisé	149	DPL 58 inversé	174	DPL 83 inversé	198	DPL 107 inversé
125	PL personn alisé	150	DPL 59 inversé	175	DPL 84 inversé	199	DPL 108 inversé
126	PL personn alisé	151	DPL 60 inversé	176	DPL 85 inversé	200	DPL 109 inversé
127	PL personn alisé	152	DPL 61 inversé	177	DPL 86 inversé	201	DPL 110 inversé
128	PL personn alisé	153	DPL 62 inversé	178	DPL 87 inversé	202	DPL 111 inversé
129	PL personn alisé	154	DPL 63 inversé	179	DPL 88 inversé	203	DPL 112 inversé
130	DPL 39 inversé	155	DPL 64 inversé	180	DPL 89 inversé	204	DPL 113 inversé
131	DPL 40 inversé	156	DPL 65 inversé	181	DPL 90 inversé	205	DPL 114 inversé
132	DPL 41 inversé	157	DPL 66 inversé	181	DPL 90 inversé	206	DPL 115 inversé
133	DPL 42 inversé	158	DPL 67 inversé	182	DPL 91 inversé	207	DPL 116 inversé
134	DPL 43 inversé	159	DPL 68 inversé	183	DPL 92 inversé	208	DPL 117 inversé
135	DPL 44 inversé	160	DPL 69 inversé	184	DPL 93 inversé	209	DPL 118 inversé
136	DPL 45 inversé	161	DPL 70 inversé	185	DPL 94 inversé	210	DPL 119 inversé
137	DPL 46 inversé	162	DPL 71 inversé	186	DPL 95 inversé	211	DPL 120 inversé
138	DPL 47 inversé	163	DPL 72 inversé	187	DPL 96 inversé	212	DPL 121 inversé
139	DPL 48 inversé	164	DPL 73 inversé	188	DPL 97 inversé	213	DPL 123 inversé
140	DPL 49 inversé	165	DPL 74 inversé	189	DPL 98 inversé	214	DPL personnalisé
141	DPL 50 inversé	166	DPL 75 inversé	190	DPL 99 inversé	215	DPL personnalisé

DPL	Code	DPL	Code	DPL	Code	DPL	Code
142	DPL 51 inversé	167	DPL 76 inversé	191	DPL 100 inversé	216	DPL personnalisé
143	DPL 52 inversé	168	DPL 77 inversé	192	DPL 101 inversé	217	DPL personnalisé
144	DPL 53 inversé	169	DPL 78 inversé	193	DPL 102 inversé	218	DPL personnalisé
145	DPL 54 inversé	170	DPL 79 inversé	194	DPL 103 inversé	219	DPL personnalisé

Chapitre 10

Garantie limitée de Motorola Solutions pour les États-Unis et le Canada

10.1

Garantie

Sous réserve des exclusions décrites ci-dessous, Motorola Solutions, Inc. garantit que ses radios bidirectionnelles sont exemptes de défauts de matériaux et de fabrication dans des conditions normales d'utilisation par le consommateur pendant la ou les périodes indiquées.

Cette garantie limitée constitue le recours exclusif du consommateur, et elle s'applique de la manière suivante aux nouveaux produits, accessoires et logiciels de Motorola Solutions achetés par des consommateurs de pays d'Amérique latine, qui sont accompagnés de la présente garantie écrite.

10.2

Produits et accessoires

Le tableau indique la durée de la couverture des produits et des accessoires.

Tableau 15 : Produits et accessoires

Produits couverts par la garantie	Durée de la couverture
Produits et accessoires tels que définis ci-dessus, sous réserve d'autres dispositions ci-dessous.	Un (1) an à compter de la date d'achat par le premier acheteur du produit, sous réserve d'autres dispositions dans la présente garantie.
Accessoires et étuis décoratifs. Couvercles, cadrans, boîtiers PhoneWrap™ et étuis décoratifs.	Garantie limitée à vie pour la durée d'appartenance au premier acheteur du produit.
Accessoires pour radios bidirectionnelles d'usage commercial	Un (1) an à compter de la date d'achat par le premier acheteur du produit.
Produits et accessoires qui sont réparés ou remplacés	Durée restante de la garantie d'origine ou 90 jours à compter de la date du retour effectué par le client, selon la période la plus longue.
Radio bidirectionnelle	Deux (2) ans à compter de la date d'achat par le premier acheteur du produit.

10.3

Exclusions

Usure normale

L'entretien périodique, les réparations et le remplacement de pièces rendus nécessaires par l'usure normale ne sont pas couverts par la garantie.

Batteries

La garantie limitée ne s'applique qu'aux batteries dont la capacité de charge complète tombe en dessous de 80 % de leur capacité nominale et aux batteries qui fuient.

Usage anormal et abusif

Les défauts et les dommages qui résultent :

- Utilisation incorrecte, stockage, mauvaise utilisation ou abus, accident ou négligence, telles que des dommages physiques (fissures, égratignures, etc.) à la surface du produit découlant d'une mauvaise utilisation
- Contact avec des liquides, de l'eau, la pluie, une humidité extrême ou une transpiration abondante, du sable, de la saleté ou autre, une chaleur extrême ou des aliments
- Utilisation des produits ou des accessoires à des fins commerciales ou utilisation ou conditions d'utilisation anormales du produit ou d'un accessoire
- Tout autre acte non imputable à Motorola Solutions, est exclu de la couverture.

Utilisation de produits et d'accessoires non fabriqués par Motorola

Les défauts ou dommages résultant de l'utilisation de produits, d'accessoires, de logiciels ou de tout autre périphérique non certifié ou de marque autre que Motorola Solutions ne sont pas couverts par la garantie.

Réparations ou modifications non autorisées

Les défauts ou dommages résultant de la réparation, de l'essai, de l'ajustement, de l'installation, de l'entretien, de l'altération ou de la modification, de quelque manière que ce soit, par toute entité autre que Motorola Solutions ou ses centres de service autorisés ne sont pas couverts par la garantie.

Produits altérés

Les Produits ou Accessoires dont :

- les numéros de série ou étiquettes de date ont été enlevés, altérés ou oblitérés,
- le sceau est brisé ou présente des signes d'altération,
- les numéros de carte série ne concordent pas,
- les boîtiers ou pièces sont non conformes ou d'une autre marque que Motorola Solutions, sont exclus de la couverture

Services de communication

Les défauts, dommages ou défaillances du produit, de l'accessoire ou du logiciel causés par tout service de communication ou signal auquel vous êtes abonné ou que vous utilisez avec le produit, l'accessoire ou le logiciel, ne sont pas couverts par la garantie.

10.4

Logiciel

Tableau 16 : Tableau de garantie des logiciels

Produits couverts par la garantie	Durée de la couverture
Logiciel S'applique uniquement aux défauts matériels du support contenant la copie du logiciel	90 jours à compter de la date d'achat.

Exclusions**Logiciel contenu sur un support matériel.**

Motorola ne garantit pas que ce logiciel satisfera vos exigences ou qu'il fonctionnera en association avec des applications matérielles ou logicielles fournies par des tiers ni que le fonctionnement des

produits logiciels se déroulera sans interruption et sans erreur ni que les anomalies présentes dans le logiciel seront corrigées.

Logiciel NON contenu sur un support matériel.

Tout logiciel non fourni sur support matériel (p. ex. les logiciels téléchargés à partir d'Internet) est offert « tel quel » et sans garantie.

10.5

Couverture de la garantie

Cette garantie s'applique uniquement au premier acheteur final et n'est pas transférable.

10.6

Garantie et soutien de service

Motorola Solutions peut réparer ou remplacer les produits ou logiciels qui ne sont pas conformes à la garantie, ou rembourser le prix d'achat des produits sans frais.

Motorola Solutions se réserve le droit d'utiliser des produits ou des pièces neufs, en prépropriété, remis à neuf ou reconstruits et fonctionnellement équivalents. Aucune mise à jour logicielle n'est fournie.

10.7

Conservez la preuve d'achat d'origine

Motorola Solutions vous enverra les produits réparés ou remplacés à ses frais pour ce qui est du transport et de l'assurance, mais les éventuels frais de douane restent à votre charge.

Si des informations supplémentaires sont nécessaires, adressez-vous à votre revendeur Motorola Solutions.

10.8

Comment obtenir le service sous garantie

Adressez-vous à votre point de vente Motorola Solutions.

- 1 800 448-6686 aux États-Unis
- 1 800 461-4575 au Canada
- 1 866 522-5210 sur votre appareil TTY (téléscripteur)

Vous devez nous renvoyer les produits, les frais de port, de douane et d'assurance étant prépayés. En plus des produits, vous devez inclure ce qui suit :

- une copie du reçu, de l'acte de vente ou toute autre preuve d'achat comparable;
- une description écrite du problème;
- le nom de votre fournisseur de service (si ce produit nécessite un abonnement de service);
- le nom et l'emplacement de l'installation (le cas échéant) et, surtout;
- votre adresse et votre numéro de téléphone. Si nécessaire, vous devez également renvoyer toutes les pièces amovibles telles que les antennes, batteries et chargeurs.

10.9

Avis de droits d'auteur du logiciel

Les produits Motorola Solutions décrits dans ce manuel peuvent inclure des logiciels Motorola Solutions protégés en vertu de la loi sur le droit d'auteur enregistrés dans des mémoires à semi-conducteurs ou dans d'autres supports. Les lois du Canada, des États-Unis et d'autres pays protègent,

au nom de Motorola Solutions, certains droits exclusifs visant les logiciels, notamment les droits exclusifs de copie et de reproduction sous toute forme que ce soit des logiciels protégés par la loi sur le droit d'auteur. Par conséquent, la loi sur le droit d'auteur protégeant tous les logiciels de Motorola Solutions inclus avec les produits de Motorola Solutions décrits dans ce manuel interdit toute copie, reproduction, modification, ingénierie à rebours ou distribution de ces logiciels sans l'autorisation écrite expresse de Motorola Solutions.

De plus, l'achat de produits Motorola Solutions ne peut être considéré comme une transaction octroyant directement, par inférence, estoppel ou autrement une licence en vertu des droits d'auteur, des droits de brevets ou d'une demande de brevet de Motorola Solutions, à l'exception d'une licence d'utilisation normale et non exclusive prévue par la loi lors de la vente d'un produit.

10.10

Avis relatif aux brevets

Ce produit est protégé par un ou plusieurs des brevets déposés aux États-Unis suivants :

5896277 5894292 5864752 5699006 5742484 D408396 D399821 D387758 D389158 5894592
5893027 5789098 5734975 5861850 D395882 D383745 D389827 D389139 5929825 5926514
5953640 6071640 D413022 D416252 D416893 D433001

10.11

Assurances découlant des lois sur l'exportation

Ce produit est régi par les règlements sur l'exportation des États-Unis d'Amérique. Le gouvernement des États-Unis d'Amérique peut restreindre l'exportation ou la réexportation de ce produit vers certaines destinations.

Pour de plus amples informations, veuillez communiquer avec le département du Commerce des États-Unis.

Chapitre 11

Accessoires

Tableau 17 : Accessoires audio

N° de pièce	Description
PMLN8077_	Écouteur couvre-oreille, broche unique
PMLN8125_	Écouteur couvre-oreille, broche unique, cordon court
PMLN8190_	Écouteur de surveillance, broche unique

Tableau 18 : Batteries

N° de pièce	Description
HKNN4013_	Batterie lithium-ion haute capacité de série CLP
PMLN8066_	Couvercle de batterie lithium-ion haute capacité CLPe

Tableau 19 : Accessoires de transport

N° de pièce	Description
PMLN8064_	Étui magnétique pour série CLPe
PMLN8065_	Étui pivotant avec pince de ceinture pour série CLP

Tableau 20 : Chargeurs

N° de pièce	Description
HKPN4007_	Ensemble de multichargeur (MUC) pour série CLP
HKPN4008_ ⁶	Ensemble de chargeur individuel (SUC) pour série CLP
PMPN4020_	Ensemble de multichargeur (MUC) pour série CLP

Tableau 21 : Câbles de programmation

N° de pièce	Description
HKKN4027_	Câble CPS pour série CLP
HKKN4028_	Câble de clonage pour série CLP

⁶ Révision C et supérieure

Contacts

Pour toute question relative aux produits, composez le :

- 800 448-6686 aux États-Unis
- 1 800 461-4575 au Canada
- 1 866 522-5210 sur votre appareil TTY (téléscripteur)

Contenido

Propiedad intelectual y avisos normativos.....	5
Información de seguridad de baterías, cargadores y accesorios de audio.....	7
Pautas de seguridad operativa.....	7
Protección acústica.....	8
Información sobre la licencia de la FCC.....	9
Declaración de conformidad del distribuidor.....	10
Estándares de seguridad de exposición a la radiofrecuencia.....	12
Aviso para los usuarios.....	13
Información sobre la licencia de Canadá.....	14
Introducción.....	15
Contenido del paquete.....	15
Capítulo 1: Descripción general del radio.....	17
Capítulo 2: Primeros pasos.....	18
2.1 Instalación de la batería.....	18
2.2 Conexión de un accesorio de audio con cable.....	18
2.3 Encendido y apagado del radio.....	20
2.4 Ajuste del volumen.....	20
2.5 Inserción y extracción de la funda con clip giratorio para el cinturón.....	20
2.6 Transmisión y recepción.....	21
2.6.1 Alcance para hablar.....	22
2.7 Configuración del menú.....	22
2.7.1 Operaciones mediante la configuración del menú.....	22
2.8 Selección de canales.....	23
2.8.1 Configuración predeterminada del canal del CPS.....	23
2.8.2 Indicadores LED.....	24
2.8.2.1 LED del volumen.....	24
2.9 Monitoreo de canales.....	25
2.10 Rastreo.....	25
2.10.1 Rastreo de los canales de radio.....	25
2.11 Exploración de conversación dinámica.....	25
2.12 Envío de tonos de llamada.....	26
2.13 Silenciado del radio.....	26
2.14 Llamada de escalamiento.....	26
Capítulo 3: Batería y cargador.....	28
3.1 Especificaciones de la batería.....	28

3.2 Vida útil de la batería.....	28
3.3 Desecho y reciclado de la batería.....	28
3.4 Extracción de la batería de iones de litio.....	29
3.5 Fuente de alimentación, adaptador y cargador directo de base.....	29
3.6 Batería independiente.....	30
3.6.1 Carga de una batería independiente con el SUC directo de base.....	31
3.6.2 Carga de una batería independiente con el MUC directo de base: accesorio opcional.....	31
3.6.3 Tiempo estimado de carga.....	31
3.7 Carga del radio con un SUC directo de base.....	31
3.8 Carga con el MUC directo de base: accesorio opcional.....	32
3.9 Indicaciones LED del cargador.....	33
3.10 Verificación del estado de la batería.....	34
Capítulo 4: Programación del radio a través del CPS.....	35
4.1 Programación del radio.....	35
4.2 Configuración de fábrica.....	36
Capítulo 5: Clonación del radio.....	38
5.1 Clonación de la configuración del radio.....	38
5.2 Clonación de radios mediante el cable de clonación.....	38
5.3 Clonación de radios mediante el cargador para varias unidades.....	39
5.4 Solución de problemas en el modo de clonación.....	40
Capítulo 6: Configuración avanzada del radio.....	41
6.1 Ingreso al modo de configuración avanzada del radio.....	41
Capítulo 7: Solución de problemas.....	42
7.1 Síntomas y soluciones.....	42
Capítulo 8: Uso y cuidados.....	45
Capítulo 9: Tabla de códigos y frecuencias del radio.....	46
9.1 Lista de frecuencias y anchos de banda de Canadá.....	46
9.2 Frecuencias del CLP.....	46
9.3 Códigos eliminadores de interferencias de CTCSS/DPL.....	48
Capítulo 10: Garantía limitada de Motorola Solutions para Estados Unidos y Canadá.....	51
10.1 Garantía.....	51
10.2 Productos y Accesorios.....	51
10.3 Exclusiones.....	51
10.4 Software.....	52
10.5 Cobertura de la garantía.....	53
10.6 Garantía y asistencia de servicio.....	53
10.7 Retención de la prueba de compra original.....	53

10.8	Cómo obtener servicio de garantía u otra información.....	53
10.9	Aviso de derechos de autor del software.....	53
10.10	Aviso de patente.....	54
10.11	Garantías de la Ley de exportaciones.....	54
Capítulo 11:	Accesorios.....	55

Propiedad intelectual y avisos normativos

Derechos de autor

Entre los productos Motorola Solutions que se describen en esta documentación, se pueden incluir programas informáticos de Motorola Solutions que están protegidos por derechos de autor. Las leyes de Estados Unidos y de otros países preservan para Motorola Solutions ciertos derechos exclusivos sobre los programas informáticos protegidos por derechos de autor. Del mismo modo, los programas informáticos protegidos por derechos de autor de Motorola Solutions incluidos en los productos de Motorola Solutions descritos en esta guía no se podrán copiar ni reproducir de ninguna forma sin el expreso consentimiento por escrito de Motorola Solutions.

Ninguna parte de este documento se puede reproducir, transmitir, almacenar en un sistema recuperable ni traducir a ningún idioma ni lenguaje informático, de ninguna forma ni por ningún medio, sin la autorización expresa por escrito de Motorola Solutions, Inc.

Marcas comerciales

MOTOROLA, MOTO, MOTOROLA SOLUTIONS y el logotipo de la M estilizada son marcas comerciales o marcas comerciales registradas de Motorola Trademark Holdings, LLC y se utilizan bajo licencia. Todas las demás marcas comerciales pertenecen a sus respectivos propietarios.

Derechos de licencia

No se considerará que la compra de productos Motorola Solutions otorgue, en forma directa, implícita, por exclusión ni de ningún otro modo, una licencia sobre los derechos de autor, las patentes o las solicitudes de patentes de Motorola Solutions, excepto la licencia normal, no exclusiva y libre de regalías de uso que surge por efecto de la ley de la venta de un producto.

Contenido de código abierto

Este producto puede contener un software de código abierto utilizado bajo licencia. Consulte los medios de instalación del producto para obtener el contenido completo de atribución y avisos legales de código abierto.

Directiva de Residuos de Aparatos Eléctricos y Electrónicos (RAEE) de la Unión Europea (UE) y el Reino Unido (RU)



En la directiva de RAEE de la Unión Europea y el Reino Unido se exige que los productos que se venden en los países de la UE y en el Reino Unido tengan la etiqueta de un bote de basura tachado sobre el producto (o en el paquete en algunos casos). Como se define en la directiva de RAEE, esta etiqueta con un bote de basura tachado indica que los clientes y los usuarios finales en los países de la UE y el Reino Unido no deben desechar equipos ni accesorios eléctricos y electrónicos en la basura doméstica.

Los clientes o los usuarios finales en los países de la UE y en el Reino Unido deben comunicarse con su representante distribuidor de equipos o centro de servicio locales para obtener información acerca del sistema de recolección de residuos de su país.

Exención de responsabilidad

Tenga en cuenta que determinadas funciones, características y capacidades que se describen en este documento podrían no ser aplicables o no tener licencia para su uso en un sistema específico, o

bien pueden ser dependientes de las características de una unidad de suscriptor móvil específico o la configuración de ciertos parámetros. Comuníquese con un representante de Motorola Solutions para obtener más información.

© 2023 Motorola Solutions, Inc. Todos los derechos reservados.

Información de seguridad de baterías, cargadores y accesorios de audio

Este documento contiene instrucciones de seguridad y funcionamiento importantes. Lea atentamente estas instrucciones y consérvelas para referencia futura. Antes de usar el cargador de batería, lea todas las instrucciones y las marcas de advertencia en:

- el cargador
 - la batería
 - el radio conectado con la batería
- 1 Para reducir el riesgo de lesiones, cargue solo las baterías recargables autorizadas por Motorola Solutions. La carga de las otras baterías puede causar una explosión, lesiones personales y daños.
 - 2 El uso de accesorios no recomendados por Motorola Solutions puede ocasionar incendios, descargas eléctricas o lesiones.
 - 3 Para reducir el riesgo de daños al enchufe y al cable eléctrico, tire del enchufe en lugar del cable cuando desconecte el cargador.
 - 4 No se debe usar un cable de extensión, a menos que sea necesario. El uso de un cable de extensión inadecuado puede provocar un incendio y una descarga eléctrica. Si se debe usar un alargador, asegúrese de que el tamaño del cable sea de 18 AWG para longitudes de hasta 2,0 m (6,5 pies) y de 16 AWG para longitudes de hasta 3,0 m (9,8 pies).
 - 5 No haga funcionar el cargador si se ha dañado o roto en cualquier forma. Llévelo a cualquier representante de mantenimiento calificado de Motorola Solutions.
 - 6 No desarme el cargador. No se puede reparar y no hay piezas de repuesto disponibles. Desarmar el cargador puede provocar el riesgo de descarga eléctrica o incendio.
 - 7 Para reducir el riesgo de descarga eléctrica, desenchufe el cargador de la toma de corriente de CA antes de intentar realizar cualquier mantenimiento o limpieza.

Pautas de seguridad operativa

- Apague el radio mientras lo carga.
- No se debe usar el cargador en áreas exteriores. Utilícelo solo en lugares o condiciones secos.
- Para desconectar el cargador del voltaje de línea, retire el enchufe principal.
- Conecte el equipo a un tomacorriente que tenga un fácil acceso y que esté cerca.
- Para el equipo que usa fusibles, los repuestos deben cumplir con el tipo y la calificación que se especifican en las instrucciones del equipo.
- La temperatura ambiente máxima alrededor del equipo de alimentación no debe exceder los 40 °C (104 °F).
- La potencia de salida de la fuente de alimentación no debe exceder los valores especificados en la etiqueta del producto ubicada en la parte inferior del cargador.
- Asegúrese de que nadie pise ni se tropiece con el cable y de que no esté expuesto a agua, daños o tensión.

Protección acústica



PRECAUCIÓN:

La exposición a ruidos fuertes de cualquier fuente durante períodos prolongados podría afectar la audición de manera temporal o permanente. Cuanto más alto sea el volumen del radio, más rápido se verá afectada la audición. En ocasiones, el daño a la audición provocado por ruidos fuertes es indetectable en un principio y puede tener un efecto acumulativo.

Para proteger la audición, realice las siguientes acciones:

- Utilice el volumen más bajo que necesite para hacer su trabajo.
- Aumente el volumen solo si se encuentra en un entorno ruidoso.
- Disminuya el volumen antes de conectar los auriculares o los audífonos.
- Restrinja el tiempo durante el cual usa los auriculares o los audífonos con un volumen alto.
- Si experimenta molestias para escuchar o zumbido en los oídos, o no escucha bien cuando le hablan, debe dejar de escuchar el radio a través del audífono o auricular y pedirle a un médico que examine su audición.

Información sobre la licencia de la FCC

Este dispositivo cumple con las partes 90 y 15 de la normativa de la Comisión Federal de Comunicaciones (FCC).

Su funcionamiento está sujeto a la condición de que este dispositivo no provoque interferencia dañina. El radio funciona en las frecuencias de radio reguladas por la Comisión Federal de Comunicaciones (FCC). Para transmitir en estas frecuencias, debe tener una licencia emitida por la FCC. La solicitud está disponible en el formulario 601 de la FCC, los anexos D y H, y el formulario de remesa 159.

Para obtener estos formularios de la FCC, solicite el documento 000601, que incluye todos los formularios e instrucciones. Si desea que se le envíe el documento por fax o por correo electrónico, o si tiene alguna pregunta, utilice la siguiente información de contacto.

Fax

Comuníquese con el sistema de fax a pedido al 1-202-418-0177

Correo tradicional

Llame al servicio de atención telefónica de formularios de la FCC al 1-800-418-FORM o al 1-800-418-3676

Contacto

Para preguntas con respecto a la licencia de la FCC, comuníquese al 1-888-CALL-FCC, 1-888-225-5322 o <http://www.fcc.gov>.

Antes de llenar la solicitud, debe decidir en qué frecuencia puede operar. Si tiene preguntas acerca de cómo determinar la frecuencia de radio, llame a los servicios de productos de Motorola Solutions al siguiente número: 1-800-448-6686. Los cambios o modificaciones que no sean aprobados expresamente por Motorola Solutions podrían anular el permiso otorgado por la FCC al usuario para utilizar este radio y no es recomendable que se realicen. A fin de cumplir con los requisitos de la FCC, los ajustes del transmisor solo deben estar a cargo o bajo la supervisión de una persona con la calificación técnica necesaria para realizar el mantenimiento y la reparación de transmisores en los servicios móviles y fijos terrestres privados según la certificación de un representante de la organización del usuario de estos servicios.

El reemplazo de cualquier componente del transmisor, como el cristal, el semiconductor y otros, sin la autorización del equipo de la FCC para este radio, podría infringir la normativa de la FCC.



NOTA:

El uso de este radio fuera del país donde iba a ser distribuido está sujeto a regulaciones gubernamentales y podría estar prohibido.

Declaración de conformidad del distribuidor

Declaración de conformidad del distribuidor

Conforme a FCC, CFR 47, Parte 2, Sección 2.1077(a)



Parte responsable

Nombre: Motorola Solutions, Inc.

Dirección: 2000 Progress Pkwy, Schaumburg, IL. 60196

Número de teléfono: 1-800-927-2744

Por la presente, declara que el producto:

Nombre del modelo: **CLP1010e/CLP1080e/CLP1013e/CLP1083e**

cumple con las siguientes normativas:

FCC parte 15, subparte B, sección 15.107(a), 15.107(d) y sección 15.109(a)

Dispositivo digital de clase B

Como dispositivo informático periférico, este producto cumple con la Parte 15 de las Normas de la Comisión Federal de Comunicaciones (FCC). El funcionamiento está sujeto a las siguientes dos condiciones:

- 1 Este dispositivo no puede provocar interferencia nociva.

- 2 Este dispositivo debe aceptar toda interferencia recibida, incluida aquella interferencia que pudiera causar un funcionamiento no deseado.



NOTA:

Este equipo ha sido probado y se ha corroborado que respeta los límites estipulados para dispositivos digitales de Clase B, conforme a lo dispuesto en la Parte 15 de las Normas de la FCC. Estos límites están diseñados para ofrecer una protección razonable contra interferencias nocivas en una instalación residencial. Este equipo genera, utiliza y puede emitir energía de frecuencia radial y, si no se instala ni se utiliza según las instrucciones, puede causar interferencia nociva en las comunicaciones por radio. No obstante, no existe garantía de que no se produzca interferencia en una instalación específica.

En caso de que este equipo cause interferencia nociva en la recepción radial o televisiva, lo que se puede determinar mediante el encendido o el apagado del equipo, se recomienda intentar solucionar tal interferencia a través de una o varias de las medidas que se presentan a continuación:

- Cambie la orientación o la ubicación de la antena receptora.
- Aumente la distancia entre el equipo y el receptor.
- Conecte el equipo a un tomacorriente que esté en un circuito distinto del circuito al que se encuentra conectado el receptor.
- Comuníquese con el distribuidor o con un técnico capacitado en radio o televisión para obtener ayuda.

Estándares de seguridad de exposición a la radiofrecuencia

Seguridad del producto y cumplimiento de exposición a la RF.



PRECAUCIÓN:

Antes de usar el radio, lea las instrucciones de operación para utilizarlo de manera segura que se incluyen en el folleto de Seguridad del producto y exposición a la RF, que viene con el radio.

ATENCIÓN:

Este radio está destinado para el uso profesional únicamente, conforme a los requisitos de exposición a energía de RF de la FCC. Antes de utilizar el radio, lea la Guía de seguridad del producto y exposición a energía de radiofrecuencia de los radios de dos vías portátiles, que contiene importantes instrucciones de funcionamiento para el uso seguro y el conocimiento y control de la energía de radiofrecuencia, con el fin de cumplir con las normas y regulaciones correspondientes.

Para obtener una lista de antenas, baterías y otros accesorios aprobados por Motorola Solutions, visite el siguiente sitio web:


<http://www.motorolasolutions.com/CLP>

Según las regulaciones del Ministerio de Industria de Canadá, este radiotransmisor puede funcionar solo con una antena de un tipo y una ganancia máxima (o menor) aprobadas para el transmisor por parte del Ministerio de Industria de Canadá. Para reducir la posibilidad de interferencias de radio en otros usuarios, el tipo de antena y su ganancia deben elegirse de modo que la potencia irradiada isotrópicamente equivalente (e.i.r.p.) no supere la necesaria para que las comunicaciones se lleven a cabo de forma correcta.

Este radiotransmisor fue aprobado por el Ministerio de Industria de Canadá para funcionar con los tipos de antena aprobados por Motorola Solutions con la ganancia máxima permitida y la impedancia de antena requerida para cada tipo de antena indicado. Está terminantemente prohibido usar este dispositivo con tipos de antenas no incluidos en esta lista, que tengan una ganancia superior a la ganancia máxima indicada para ese tipo.

Aviso para los usuarios

Este dispositivo cumple con la parte 15 de las normas de la FCC según las siguientes condiciones:

- Este dispositivo no puede provocar interferencia nociva.
- Este dispositivo debe aceptar toda interferencia recibida, incluida aquella interferencia que pudiera causar un funcionamiento no deseado.
-  **PRECAUCIÓN:** Los cambios o las modificaciones que se realicen en este dispositivo, no aprobados expresamente por Motorola Solutions, podrían anular el permiso del usuario para operar este equipo.

Información sobre la licencia de Canadá

Nota para los usuarios (Industry Canada)

El funcionamiento del radio Motorola Solutions está sujeto a la Ley de radiocomunicaciones y debe cumplir con las normas y regulaciones del departamento del gobierno federal de Industry Canada. Industry Canada exige que todos los operadores que utilicen frecuencias móviles terrestres privadas obtengan una licencia de radio antes de poner en funcionamiento el equipo.

La solicitud de la licencia

- 1 Complete los campos según las instrucciones. Si necesita espacio adicional para cualquier elemento, use el lado inverso de la solicitud.
- 2 Asegúrese de escribir de forma legible
- 3 Haga una copia de sus archivos.
- 4 Prepare un cheque o dinero destinado al “Beneficiario general para Canadá” por una cantidad, que se indica en el siguiente cronograma, para cada radio adquirido. (La licencia se renueva el 1 de abril de cada año y se emite durante un período de 12 meses).
- 5 Envíe por correo su solicitud completada, junto con su cheque u orden monetaria a la oficina de distrito de Industry Canada más cercana, de acuerdo con la lista que aparece en las páginas.

Para obtener el último formulario de solicitud de licencia canadiense, visite http://www.ic.gc.ca/ic_wp-pa.htm.

Introducción

En esta guía del usuario se explica el funcionamiento de los radios.

Es posible que el distribuidor o administrador del sistema haya personalizado el radio para que se adapte a sus necesidades específicas. Para obtener más información, consulte a su proveedor o administrador del sistema.

Puede consultar al distribuidor o administrador del sistema lo siguiente:

- ¿El radio está programado con canales convencionales preestablecidos?
- ¿Qué botones se programaron para acceder a otras funciones?
- ¿Qué accesorios opcionales pueden resultar útiles en su caso?
- ¿Cuáles son las mejores prácticas de uso del radio para una comunicación eficaz?
- ¿Qué procedimientos de mantenimiento ayudan a prolongar la vida útil del radio?

Contenido del paquete

En esta sección, se proporciona información acerca del contenido del paquete para el radio.

El paquete del producto contiene los siguientes productos y manuales:

- Radio de dos vías de la serie CLP
- Funda con clip giratorio para el cinturón
- Batería de iones de litio y tapa de la batería
- Cargador directo de base con transformador¹
- Accesorio de audio²
- Cubierta del conector de audio
- Guía de inicio rápido, folleto de instrucciones de los cargadores, folleto de seguridad del producto de radiofrecuencia

Para obtener información del producto, consulte <https://learning.motorolasolutions.com>.

Para preguntas relacionadas con el producto, comuníquese a los siguientes números:

- 1-800-448-6686 en los EE. UU.
- 1-800-461-4575 en Canadá
- 1-866-522-5210 en su TTY (Teléfono de texto)

En esta guía del usuario, se abordan los siguientes modelos:

Modelo	Banda de frecuencia	Potencia de transmisión	Compatibilidad del repetidor	N.º de canales
CLP1010e	UHF	1 W	Sí	1
CLP1080e				8
CLP1013e				1

¹ Solo se aplica a los modelos que no son masivos.

² Solo se aplica a los modelos que no son masivos.

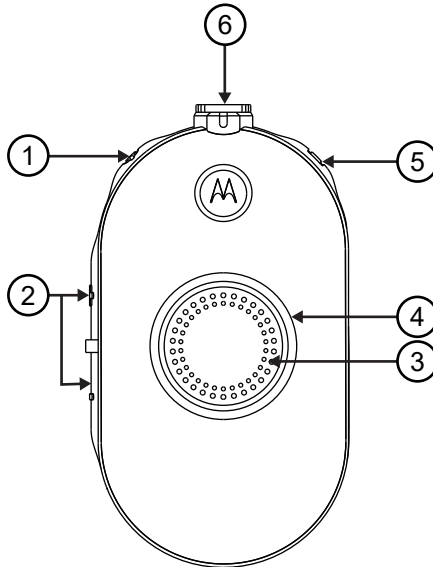
Modelo	Banda de frecuencia	Potencia de transmisión	Compatibilidad del repetidor	N.º de canales
CLP1083e				8

Capítulo 1

Descripción general del radio

En este capítulo, se explican los botones y las funciones del radio.

Figura 1: Controles del radio



Número de elemento	Descripción
1	Botón de encendido y de la batería
2	Control de volumen (+/-) y botón de silencio
3	Botón Push-to-Talk (PTT)
4	Anillo de luz de estado inteligente
5	Botón Menú
6	Conector de accesorios

Capítulo 2

Primeros pasos

En esta sección, puede encontrar ayuda para familiarizarse con las operaciones básicas del radio.

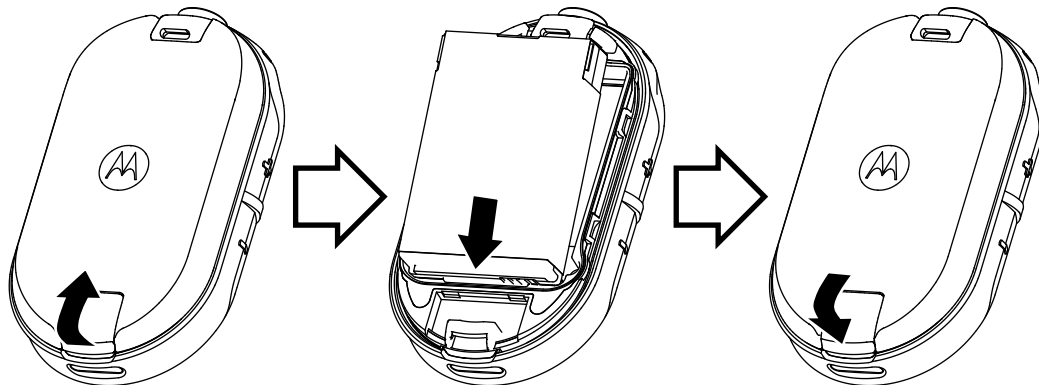
2.1

Instalación de la batería

Procedimiento:

- 1 Levante el seguro de la parte inferior de la tapa de la batería y extraiga la tapa de la batería del radio.
- 2 Alinee los contactos de la batería con las pestañas del compartimento de la batería.
- 3 Inserte el extremo en los contactos de la batería antes de presionar hacia abajo para fijarlo en su lugar.
- 4 Coloque la tapa de la batería en el radio y empuje el seguro hacia abajo para bloquear la tapa de la batería.

Figura 2: Instalación de la batería



2.2

Conexión de un accesorio de audio con cable

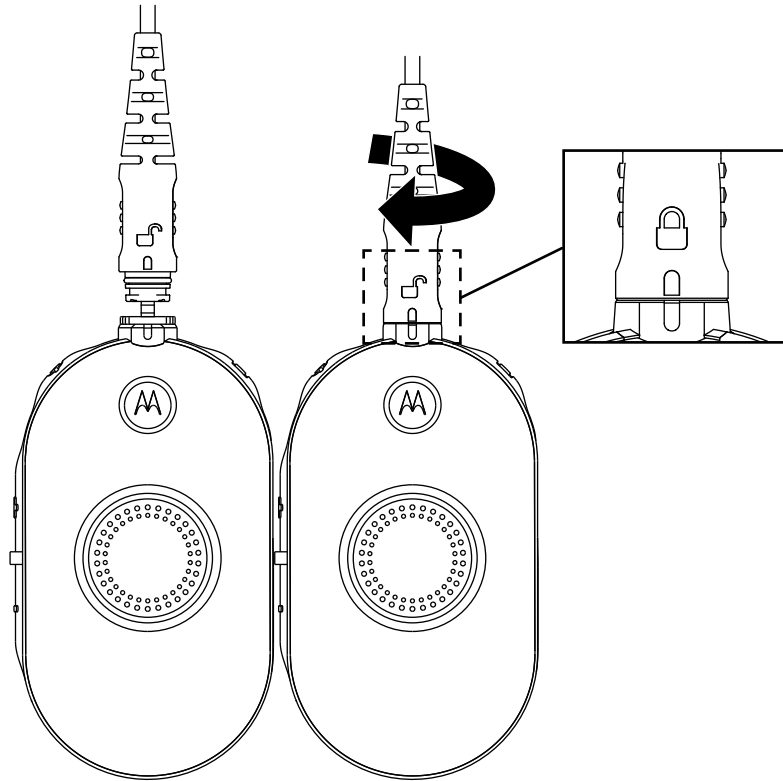
Requisitos:

Apague el radio.

Procedimiento:


- 1 Conecte el accesorio de audio en el radio con el ícono de desbloqueo del accesorio de audio hacia la parte frontal del radio.
Asegúrese de que el indicador del accesorio de audio y el radio se encuentren alineados.
- 2 Gire el enchufe del accesorio de audio hasta que el ícono de bloqueo en el enchufe hacia parte frontal del radio y los indicadores se encuentren alineados.

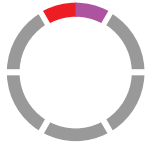
Figura 3: Conexión de un accesorio de audio con cable



- 3 Encienda el radio.
- 4 Para comprobar si hay audio a través del accesorio de audio, presione el botón **Estado de la batería, Menú o Control de volumen**.

Mesa 1: Configuración del LED superior si el accesorio de audio con cable no está conectado o si se extrajo

Modo de usuario	Estado del LED	Color
Encender el radio sin un accesorio de audio conectado.	Azul fijo	

Modo de usuario	Estado del LED	Color
Extraer el accesorio de audio mientras que el radio está activado.	Parpadea en color rojo o púrpura hasta que se conecte un accesorio de audio	



NOTA:

Baje el volumen del radio antes de colocar el accesorio de audio cerca o en la oreja.

Los radios de la serie CLP ofrecen diferentes accesorios de audio. A fin de obtener la lista detallada de accesorios de audio, consulte <http://www.motorolasolutions.com/CLP> para obtener información acerca de los accesorios aprobados.

2.3

Encendido y apagado del radio

Procedimiento:

- 1 Para encender el radio, mantenga presionados los botones **Encendido** y **Batería** hasta que escuche un tono corto y se ilumine el anillo de luz de estado inteligente.
- 2 Para apagar el radio, mantenga presionados los botones **Encendido** y **Batería** hasta que escuche un tono corto y el indicador del anillo de luz de estado inteligente parpadee una vez.

2.4

Ajuste del volumen

Procedimiento:

- 1 Para aumentar el volumen, presione el botón +.



NOTA:

El radio tiene 15 incrementos de volumen.

- 2 Para disminuir el volumen, presione el botón -.

2.5

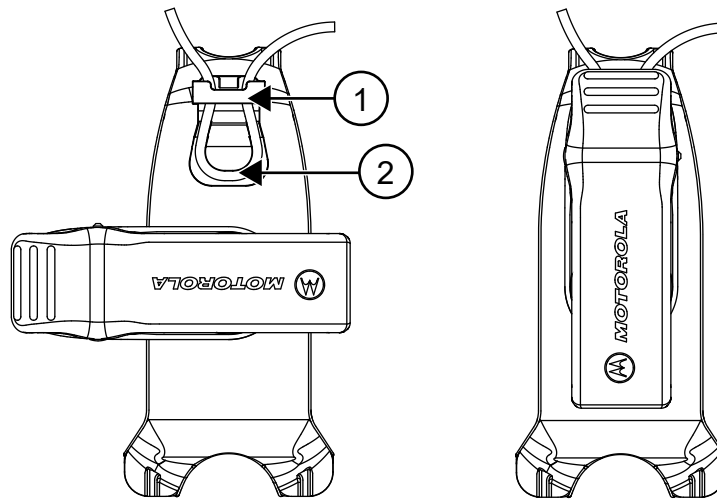
Inserción y extracción de la funda con clip giratorio para el cinturón

Los radios ofrecen diferentes accesorios flexibles de transporte. Para la lista de accesorios aprobados de Motorola Solutions, consulte <http://www.motorolasolutions.com/CLP>.

Procedimiento:

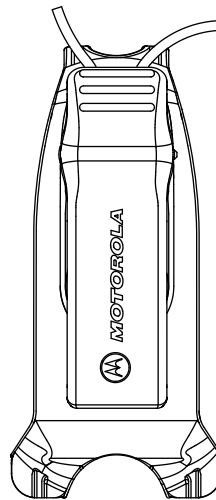
- 1 Para insertar el radio en la funda, realice los siguientes pasos:
 - a Deslice la parte inferior del radio en la funda.
 - b Encaje la parte superior de la funda en el radio alrededor del conector de accesorios.
- 2 Para extraer el radio de la funda, tire de la parte superior o inferior de la pestaña y tire el radio de la funda.
- 3 Haga un pequeño nudo en el cable y pase el cable a través de su guía. Anide el cable en la ranura en forma de U y tire firmemente para fijar el cable en su lugar.

Figura 4: Funda con clip giratorio para el cinturón



Número de elemento	Descripción
1	Guía del cable
2	Ranura en forma de U

- 4 Gire el clip para el cinturón a la posición según sea necesario.



2.6

Transmisión y recepción

Procedimiento:

- 1 Para transmitir llamadas, realice una de las siguientes acciones:
 - Mantenga presionado el botón **PTT** en la parte frontal del radio.
 - Mantenga presionado el botón **PTT** del accesorio de audio con cable con el botón **PTT** en línea.
- 2 Hable con claridad por el micrófono del accesorio de audio.

- 3 Suelte el botón **PTT** para escuchar.
- 4 Para recibir llamadas, escuche a través del auricular y presione el botón **PTT** a fin de responder.

2.6.1

Alcance para hablar

Mesa 2: Alcance para hablar

Aplicación	Industrial (al interior de edificios industriales de acero o concreto)	Multinivel (al interior de edificios de varios niveles)
Unidad a unidad	Hasta 9.200 m ² (100.000 pies ²)	Hasta 10 pisos
Con el repetidor	Hasta 23.200 m ² (250.000 pies ²)	Hasta 20 pisos

2.7

Configuración del menú

Procedimiento:

- 1 Para navegar mediante la configuración del menú, presione el botón **Menú**.
- 2 Para salir del menú, presione brevemente el botón **PTT** o espere tres segundos.

2.7.1

Operaciones mediante la configuración del menú

En esta sección, se explican las operaciones mediante la configuración del menú.



NOTA:

No es necesario esperar a que el aviso de voz finalice para presionar el siguiente botón.

Si se encuentra en el modo de menú, presione brevemente **PTT** o espere tres segundos para salir del menú.

Procedimiento:

- 1 Cambio del canal:
 - a Presione el botón **Menú** para navegar hasta **Canal**.
 - b Presione el botón **+ o -** para cambiar el canal.
- 2 Ingreso al modo de monitoreo:
 - a Presione el botón **Menú** para navegar hasta **Monitoreo**.
 - b Presione **+** para activarlo o el botón **-** a fin de desactivar el monitoreo.
- 3 Ingreso al modo de rastreo:
 - a Presione el botón **Menú** para navegar hasta **Rastreo**.
 - b Presione **+** para activarlo o el botón **-** a fin de desactivar el rastreo.
- 4 Envío del tono de llamada:

Activado a través del Software de programación para el cliente (CPS).

 - a Presione el botón **Menú** para navegar hasta **Tono de llamada**.

- b Presione el botón + o - para enviar el tono de llamada.

2.8

Selección de canales

Procedimiento:






- 1 Presione el botón **Menú**.
 Escuchará un aviso de voz para cambiar el canal si presiona el botón + o -.
- 2 Seleccione el canal necesario.
 El LED indica el color del nuevo canal.
- 3 Presione el botón **PTT** para confirmar la acción. Alternativamente, el canal se activará después de un tiempo de desconexión de tres segundos.





2.8.1

Configuración predeterminada del canal del CPS

En la tabla, se describe la configuración predeterminada del canal del Software de programación para el cliente (CPS).

Mesa 3: Configuración del canal del CPS

Modelos CLP1010e y CLP1013e de un solo canal			Modelos CLP1080e y CLP1083e de varios canales		
Canal	Estado del LED	Color	Canal	Estado del LED	Color
1		Rojo	1		Rojo
			2		Verde
			3		Amarillo
			4		Azul

Modelos CLP1010e y CLP1013e de un solo canal			Modelos CLP1080e y CLP1083e de varios canales		
Canal	Estado del LED	Color	Canal	Estado del LED	Color
			5		Púrpura
			6		Blanco
			7		Aguamarina
			8		Naranja

2.8.2

Indicadores LED

Función	Indicador LED
Está en modo de supervisor	Color fijo por canal.
Tono de llamada	Color fijo de manera momentánea por canal.
Rastreo	Ciclos hacia la derecha con un LED que se enciende al mismo tiempo. El color del LED cambia en la ranura superior cuando finaliza cada ciclo.
Encender o apagar el teléfono	El LED con la parte superior en color rojo y lo restante en color blanco se ilumina brevemente.
Configuración avanzada del radio	Color verde intermitente.

2.8.2.1

LED del volumen

Cuando se aumenta el volumen, el LED del anillo de luz de estado inteligente se enciende hacia la derecha desde la parte inferior izquierda hasta la parte inferior derecha del anillo LED.

Estos son los tres niveles de brillo del LED cuando se aumenta el volumen:

- Atenuar
- Medio

- Brillo máximo

2.9

Monitoreo de canales

Esta función le permite garantizar que un canal esté libre antes de iniciar la transmisión. Cuando está activado, el radio anula todas las configuraciones de código programadas y permite que el receptor escuche en cualquier frecuencia. Con una frecuencia sin cifrar, puede oír un zumbido. Si hay una frecuencia en uso, puede escuchar la transmisión.

Procedimiento:

- 1 Para activar el modo de selección de monitoreo, presione el botón **Menú** y navegue hasta **Selección de monitoreo**.
Si el monitoreo está apagado, se escucha un aviso de voz para activar el modo de monitoreo si presiona el botón + o -.
- 2 Presione el botón + o - para activar o desactivar el modo de monitoreo.
Cuando el modo de monitoreo esté encendido, se escucha estática si no hay actividad o audio si existe actividad del canal.
- 3 Para activar el modo de monitoreo, active el monitoreo a través del menú y deje al menú en tiempo de espera.
- 4 Para salir del modo **Monitoreo**, presione el botón **PTT**.

2.10

Rastreo

Puede rastrear hasta ocho canales en los modelos CLP1080e y CLP1083e.

Cuando el radio detecta actividad interrumpe el rastreo y se sintoniza en el canal activo. Esto le permite escuchar y hablar con la persona que transmite sin cambiar los canales.

2.10.1

Rastreo de los canales de radio

Procedimiento:

- 1 Para navegar hasta el modo de rastreo, presione el botón **Menú**.
Si el rastreo está desactivado, se escucha un aviso de voz para activar el rastreo si presiona el botón + o -.
- 2 Para activar el rastreo, presione el botón + o -.
Cuando el rastreo esté activado, se escucha un aviso de voz para desactivar el rastreo si presiona el botón + o -.
- 3 Para desactivar el rastreo, presione el botón + o -.

2.11

Exploración de conversación dinámica

Esta función maximiza la cobertura de comunicación para un repetidor activado en el sitio en los sistemas de radio de dos vías.

El rastreo dinámico de transmisión directa está activado en un canal repetidor a través del Software de programación del cliente (CPS). La función le brinda al radio la capacidad de rastrear las frecuencias de transmisión y recepción de un canal repetidor.



NOTA:

La función tiene mayor prioridad que el modo de rastreo. Si el rastreo dinámico de transmisión directa y el rastreo están activados en el canal principal, el radio solo puede admitir el rastreo dinámico de transmisión directa.

2.12

Envío de tonos de llamada

Procedimiento:

- 1 Para ir a **Tono de llamada**, presione el botón **Menú**.
- 2 Para transmitir el tono de llamada seleccionado, presione **+ o -**.



NOTA:

Hay seis tonos de llamada disponibles.

Esta función se activa a través del Software de programación para el cliente (CPS).

2.13

Silenciado del radio

La función de silencio corta el altavoz del radio.

Procedimiento:

- 1 Para disminuir o silenciar el volumen, mantenga presionado el botón **+ o -**.
Desde el radio, escuchará un aviso de voz que indicará "Silenciar".
- 2 Para desactivar el silencio, presione cualquier botón.
Desde el radio, escuchará un aviso de voz que indicará "Desactivar silencio".

2.14

Llamada de escalamiento

La función Llamada de escalamiento le permite cambiar el canal de llamada de escalamiento y enviar un tono de llamada en dicho canal.

Para activar la función Llamada de escalamiento, el canal de llamada de escalamiento se debe configurar en el Software de programación para el cliente (CPS). La presión prolongada del botón de menú activa la función Llamada de escalamiento y envía automáticamente el tono de llamada de escalamiento en dicho canal. El tiempo de desconexión de la llamada de escalamiento comienza después de que cada llamada finaliza. El radio permanece en tiempo de desconexión de la llamada de escalamiento durante un período predefinido. La llamada de escalamiento finaliza cuando el tiempo de desconexión caduca y el radio vuelve al canal anterior. El tiempo de desconexión está configurado a través del CPS.

Presionar el botón **PTT** durante el tiempo de desconexión de la llamada de escalamiento le permite hablar en el canal. El tiempo de desconexión de la llamada de escalamiento se reinicia después de que la llamada de voz finalizó y puede recibir llamadas de otros radios en el canal de llamada de escalamiento.

El radio sigue el comportamiento del canal seleccionado, excepto el tono de llamada y no el anuncio de canal tras cambiar al canal de llamada de escalamiento. El tono de llamada está configurado a través del CPS mediante la selección de uno de los seis tonos de llamada.

Para salir del canal de llamada de escalamiento antes de que caduque el tiempo de desconexión, presione brevemente el botón **Encendido**, **Apagado** o **Menú**, o presione de manera prolongada el botón **Menú**.

Capítulo 3

Batería y cargador

En este capítulo, se describe la batería y la función del cargador para el radio.

3.1

Especificaciones de la batería

Se incluye una batería de iones de litio recargable con el radio. Para garantizar una capacidad y un rendimiento óptimos, la batería se debe cargar antes de su uso inicial.

Su vida útil está determinada por diversos factores. Los factores importantes son la sobrecarga de las baterías y la profundidad promedio de descarga en cada ciclo. Mientras mayor sea la sobrecarga y más profunda sea la descarga promedio, menos serán los ciclos que dure una batería. Una batería que se sobrecarga y descarga en un 100 % varias veces al día dura menos ciclos que una batería que recibe menos sobrecarga y que se descarga un 50 % por día. La batería con una sobrecarga mínima tiene un promedio de un 25 % de descarga y dura mucho más.

Las baterías Motorola Solutions están diseñadas específicamente para usarse con un cargador Motorola Solutions y viceversa. Realizar la carga de las baterías en equipos que no sean de Motorola Solutions puede provocar daños en estas y anular su garantía. Siempre que sea posible, mantenga la temperatura de la batería a 25 °C (77 °F) (temperatura ambiente). Cargar una batería fría (a menos de 10 °C [50 °F]) puede dar como resultado una fuga de electrolitos y, en última instancia, la falla de la batería. Cargar una batería caliente (por encima de 35 °C [95 °F]) provoca una capacidad de descarga reducida, lo que afecta el rendimiento del radio. Los cargadores de batería de carga rápida de Motorola Solutions contienen un circuito sensible a la temperatura para garantizar que las baterías se carguen dentro de los límites de temperatura.

3.2

Vida útil de la batería

La vida útil estimada de la batería son 18 horas según un 5 % de la transmisión, un 5 % de la recepción y un 90 % en espera (ciclo de operación estándar).

3.3

Desecho y reciclado de la batería

Las baterías recargables de iones de litio se pueden reciclar. Sin embargo, es posible que las instalaciones de reciclaje no estén disponibles en todas las áreas. Según diversas leyes estatales de Estados Unidos y las leyes de varios otros países, las baterías deben ser recicladas y no pueden eliminarse en vertederos o incineradores. Comuníquese con su agencia de administración de desechos local para conocer los requisitos específicos y obtener información en su área. Motorola Solutions avala e incentiva completamente el reciclaje de las baterías de iones de litio.

En EE. UU. y Canadá, Motorola Solutions participa en el programa nacional Call2Recycle para recolectar y reciclar baterías. Muchos minoristas y proveedores participan en este programa. Para conocer la ubicación del establecimiento de desechos más cercano, ingrese al sitio web de Call2Recycle en <https://www.call2recycle.org/> o llame al 1-800-8-BATTERY. A través del sitio web o del número telefónico, podrá obtener más información útil respecto de las opciones de reciclado para consumidores, empresas y agencias gubernamentales.

3.4

Extracción de la batería de iones de litio

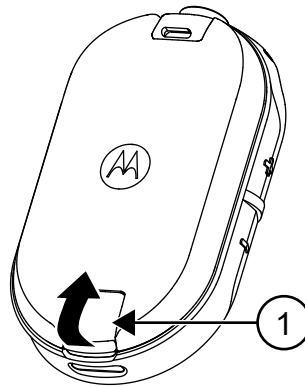
Requisitos:

Asegúrese de que el radio esté apagado.

Procedimiento:

- 1 Levante el seguro de la parte inferior de la tapa de la batería y extraiga la tapa de la batería del radio.
- 2 Separe la batería del radio.

Figura 5: Extracción de la batería



Número de elemento	Descripción
1	Seguro de la batería

3.5

Fuente de alimentación, adaptador y cargador directo de base

El radio incluye un cargador directo de base con un transformador.

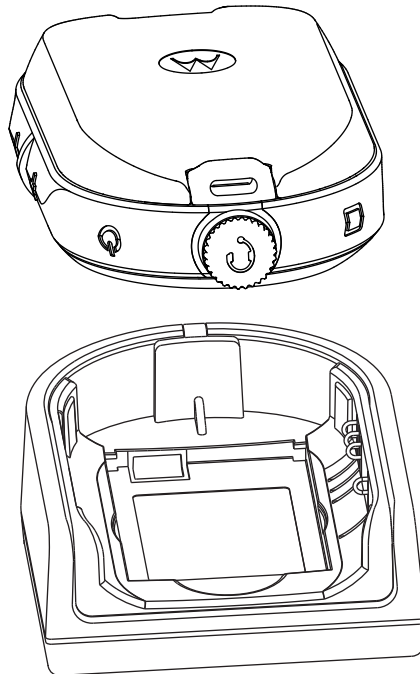


NOTA:

Solo se aplica a los modelos que no son masivos.

Para obtener información acerca de los accesorios, consulte [Accesorios en la página 55](#).

Figura 6: Fuente de alimentación, adaptador y cargador directo de base



3.6

Batería independiente

La batería se puede cargar como una batería independiente.

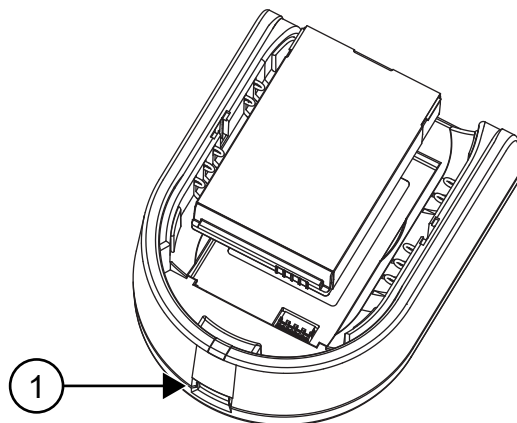
La batería se carga mediante un cargador para una unidad (SUC) o un cargador para varias unidades (MUC).



NOTA:

Cuando adquiera cargadores o fuentes de alimentación adicionales, asegúrese de que tiene conjuntos de cargadores directo de base y fuentes de alimentación similares. Para obtener más información acerca de los accesorios, consulte [Accesorios en la página 55](#).

Figura 7: Batería independiente



Número de elemento	Descripción
1	Puerto micro USB

3.6.1

Carga de una batería independiente con el SUC directo de base

Procedimiento:

- 1 Para cargar la batería, inserte el conector de la fuente de alimentación en el puerto micro Bus serie universal (USB) en la parte frontal del cargador directo de base.
- 2 Conecte la fuente de alimentación a una toma de corriente de CA adecuada.
- 3 Inserte la batería en la base con la superficie interior de la batería orientada hacia el frente del cargador. Consulte [Batería independiente en la página 30](#).
- 4 Asegúrese de que las ranuras de la batería se encajen correctamente en el cargador.

3.6.2

Carga de una batería independiente con el MUC directo de base: accesorio opcional

Procedimiento:

- 1 Coloque el cargador sobre una superficie plana o móntelo en la pared.
- 2 Inserte el enchufe del cable de alimentación dentro del conector hembra del MUC.
- 3 Conecte el cable en un toma de corriente de CA y, a continuación, en el cargador.
- 4 Inserte la batería en la cavidad de carga con la superficie interior de la batería hacia el frente del cargador.
- 5 Asegúrese de que las ranuras de la batería se encajen correctamente en el cargador.

3.6.3

Tiempo estimado de carga

En la siguiente tabla, se indica el tiempo de carga estimado de la batería.

Mesa 4: Tiempo estimado de carga

Solución de carga	Batería de iones de litio de alta capacidad
Cargador para una unidad	5,5 horas
Cargador para varias unidades	4 horas

3.7

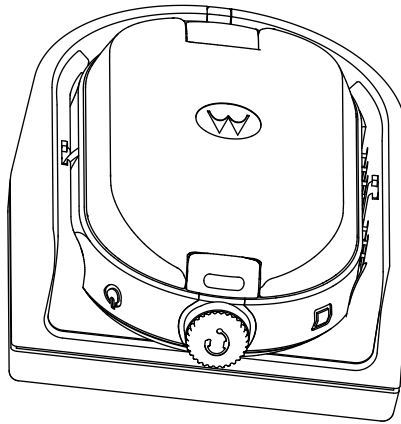
Carga del radio con un SUC directo de base

Procedimiento:

- 1 Coloque el cargador para una unidad (SUC) directo de base sobre una superficie plana.
- 2 Inserte el conector de la fuente de alimentación en el puerto micro USB en la parte frontal del cargador directo de base.
- 3 Conecte la fuente de alimentación correcta a una toma de corriente de CA adecuada.

- 4 Inserte el radio con batería instalada en la base hacia abajo y asegúrese de que los contactos de carga en el cargador se encuentren alineados con los contactos del radio.

Figura 8: Carga del radio



NOTA:

Cuando se carga una batería integrada a un radio, asegúrese de que el radio esté apagado. Puede activar o desactivar el radio a fin de que se apague automáticamente cuando el radio se inserte en la función del cargador a través del software de programación para el cliente (CPS).

3.8

Carga con el MUC directo de base: accesorio opcional

El cargador para varias unidades (MUC) permite la carga directa de hasta seis radios. Cada una de las seis cavidades de carga puede sostener un radio con una batería instalada. El MUC proporciona cavidades para el almacenamiento de auriculares.

Procedimiento:

- 1 Coloque el cargador sobre una superficie plana o móntelo en la pared.
- 2 Inserte el enchufe del cable de alimentación dentro del conector hembra del MUC.
- 3 Conecte el cable en un toma de corriente de CA y, a continuación, en el cargador.
- 4 Apague el radio.



NOTA:

Cuando cargue una batería conectada al radio, asegúrese de que el radio esté apagado. Puede activar o desactivar el radio a fin de que se apague automáticamente cuando el radio se inserte en la función del cargador a través del software de programación para el cliente (CPS).

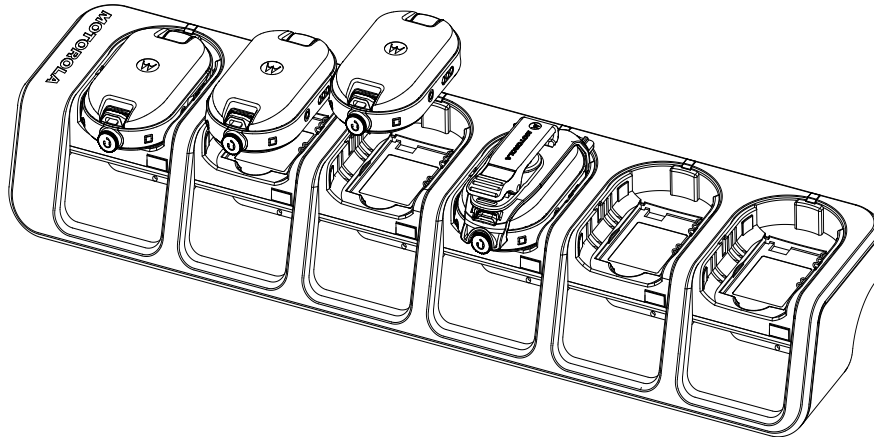
- 5 Inserte el radio hacia abajo con la batería instalada en la cavidad de carga, lo que garantiza que los contactos del radio se encuentren alineados con los contactos del MUC.



NOTA:

La batería se carga sola mediante la ranura en la superficie plana de la cavidad de carga.

Figura 9: Carga de los radios



3.9

Indicaciones LED del cargador

En el cargador directo, la cavidad de carga del radio cuenta con un cargador LED.

En el cargador para varias unidades (MUC), cada una de las seis cavidades de carga tiene un LED. Los LED se agrupan en pares para indicar qué cavidades de carga están emparejadas.







NOTA:

Puede clonar hasta dos radios de origen y dos radio de destino mediante el MUC. Para obtener más información acerca de la clonación, consulte [Clonación del radio en la página 38](#).

Para obtener detalles sobre el número de pieza, consulte [Accesorios en la página 55](#).

Mesa 5: Indicador LED del cargador

Estado	Indicación del LED	
La batería se está cargando	Rojo fijo	
La batería está completamente cargada	Verde fijo	
Falla en la batería ³	Rojo intermitente	
<p> NOTA: La luz LED brilla de color rojo cuando la batería se está cargando. Se muestra de color verde una vez que la batería está completamente cargada.</p>		

³ Retire y vuelva a colocar la batería para corregir el problema de la batería con fallas.

3.10





Verificación del estado de la batería

Procedimiento:

Presione brevemente y suelte los botones de **Encendido** y **Batería**.

Las funciones del anillo de luz de estado inteligente y la operación asistida por voz muestran el estado de la batería del radio.

Mesa 6: Estado de la batería

Nivel de batería	Indicación del LED	Color
Alto (de un 50 a un 100 %)		Verde
Medio (de un 20 a un 50 %)		Amarillo
Bajo (de un 3 a un 20 %)		Rojo
Crítico (de un 0 a un 3 %)		Rojo intermitente

El radio vuelve al color del canal actual después de que indica el estado de la batería.

Capítulo 4

Programación del radio a través del CPS

Puede programar o cambiar las funciones de los radios mediante el Software de programación para el cliente (CPS) y el Cable de programación del CPS.

CPS está disponible de forma gratuita como software descargable basado en web en el sitio <http://www.motorolasolutions.com/CLP>.

4.1

Programación del radio

Requisitos:

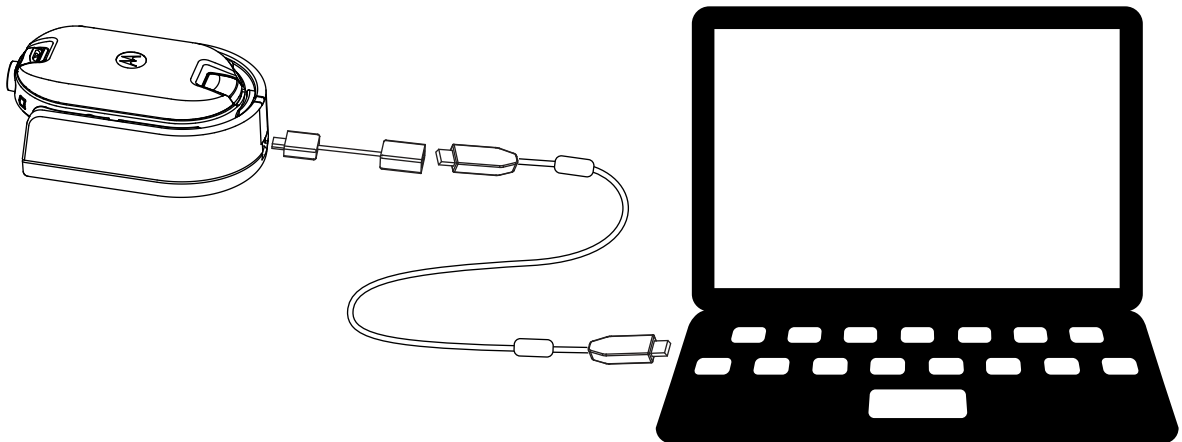
Instale el Software de programación computacional (CPS) en la computadora.

Asegúrese de que el radio esté encendido.

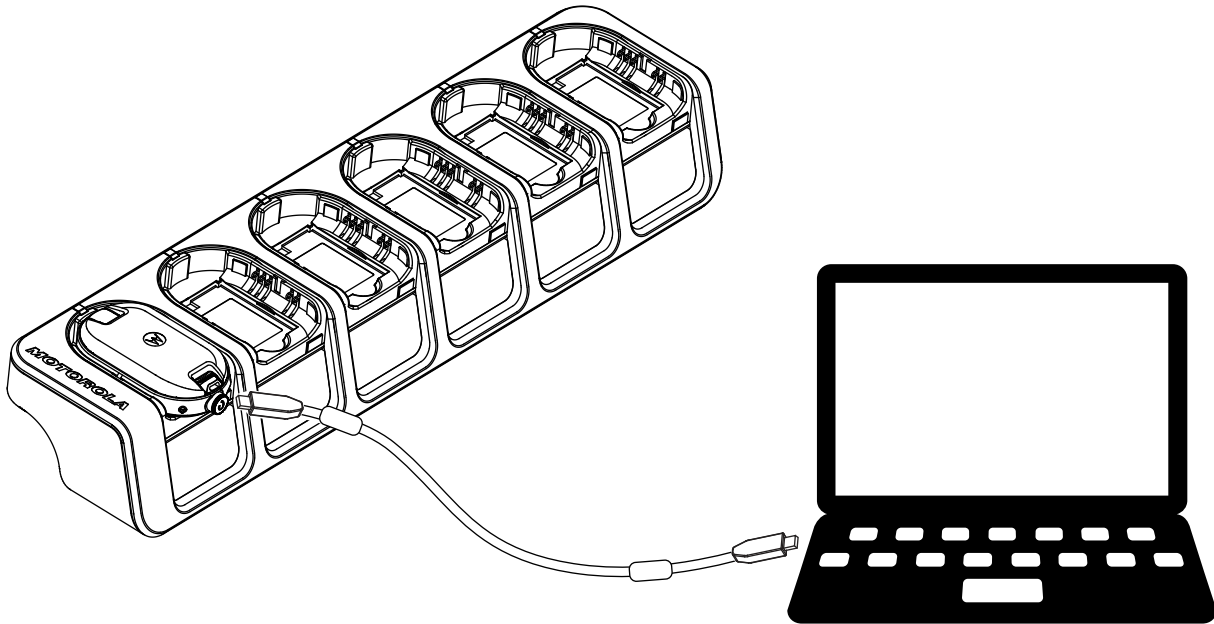
Procedimiento:

- 1 Conecte el radio mediante el cargador directo de base o la cavidad de carga con la etiqueta **PROG** en el cargador para varias unidades y el cable de programación CPS⁴.

Figura 10: Programación del radio a través de un cargador para una unidad



⁴ El cable de programación CPS (N/P HKKN4027_) es un accesorio que se vende por separado. Comuníquese con el punto de venta de Motorola Solutions para obtener más información.

Figura 11: Programación del radio a través de un cargador para varias unidades

- 2 Configure el switch del cable en analógico.
- 3 Después de que el radio esté conectado, abra el CPS y seleccione **Leer** en la barra de herramientas para obtener el perfil del radio.
Puede cambiar la información general, el audio, el menú, los canales, la lista de rastreo y la configuración personalizada de PL/DPL, y seleccionar las frecuencias y los códigos de PL/DPL en cada canal.
- 4 Para guardar la configuración, seleccione **Escribir en el radio** en la barra de herramientas.

**NOTA:**

Para obtener más información acerca del CPS, consulte el menú **Ayuda** en el CPS.

4.2

Configuración de fábrica

El radio se programa de fábrica con la siguiente configuración.

Mesa 7: Configuración predeterminada de radios CLP1010e UHF de 1 W y un canal: BRUS

Número del canal	Frecuencia #	Configuración de la frecuencia (MHz)	Valor del código (Hz)	Ancho de banda (kHz)
1	2	464.5500	67	12,5

Mesa 8: Configuración predeterminada de radios CLP1080e UHF de 1 W y ocho canales: BRUS

Número del canal	Configuración de la frecuencia (MHz)	Valor del código (Hz)	Ancho de banda (kHz)
1	464.5500	67	12,5
2	467,9250	67	12,5
3	467.8500	67	12,5
4	467,8750	67	12,5
5	461.0625	67	12,5
6	461.1125	67	12,5
7	461.1625	67	12,5
8	461.2125	67	12,5

Mesa 9: Configuración predeterminada de radios CLP1013e UHF de 1 W y un canal: BRCAN

Número del canal	Frecuencia #	Configuración de la frecuencia (MHz)	Valor del código (Hz)	Ancho de banda (kHz)
1	2	458.6625	67	12,5

Mesa 10: Configuración predeterminada de radios CLP1083e UHF de 1 W y ocho canales: BRCAN

Número del canal	Configuración de la frecuencia (MHz)	Código de PL/DPL (Hz)	Ancho de banda (kHz)
1	458.6625	67	12,5
2	469.2625	67.9	12,5
3	458.6625	71.9	12,5
4	469.2625	71.9	12,5
5	458.6625	74.4	12,5
6	469.2625	74.4	12,5
7	458.6625	77.0	12,5
8	469.2625	77.0	12,5

Capítulo 5

Clonación del radio

Esta función le permite clonar la configuración de un radio a otro.

5.1

Clonación de la configuración del radio

Puede copiar la configuración del radio desde la fuente a otro radio.

Puede utilizar uno de los siguientes cargadores de unidades y cables para la clonación:

- Cargador para una unidad (SUC) de la serie CLP, número de pieza del kit HKPN4008_⁵ y cable de clonación de la serie CLP, número de pieza del kit HKKN4028_ (accesorio opcional).
- Cargador para varias unidades (MUC), número de pieza del kit HKPN4007_ (accesorio opcional)

El MUC no tiene que estar conectado para la clonación, pero ambos radios necesitan baterías cargadas.

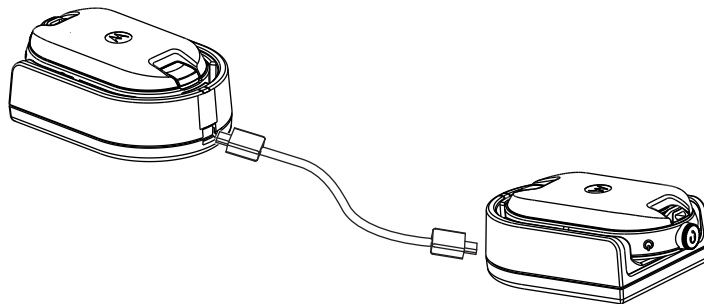
5.2

Clonación de radios mediante el cable de clonación

Requisitos:

- Una batería completamente cargada en cada radio.
- Dos kits de cargadores para una unidad (SUC).
- Ambos radios están apagados.
- Radio de origen: El radio que se clonará.
- Radio de destino: Radio al que se copiará la configuración del radio de origen.

Figura 12: Clonación del radio a través de un cargador para una unidad



Procedimiento:

- 1 Desconecte todos los cables, tales como los de la fuente de alimentación o el micro USB, del SUC.

⁵ Revisión C o superior

- 2 Conecte un extremo del micro USB del cable de clonación a un SUC y el otro extremo al segundo SUC.



NOTA:

Asegúrese de que el switch en el cable de clonación esté configurado en **Legacy**.

Durante el proceso de clonación, no se aplica ninguna alimentación al SUC. Las baterías no se pueden cargar. Se establece una comunicación de datos entre los dos radios.

- 3 Encienda el radio de destino y colóquelo en uno de los SUC.
- 4 Para encender el radio, mantenga presionado los botones **PTT** y **-** de manera simultánea mientras enciende el radio hasta que se escuche el tono de clonación.
- 5 Para iniciar el proceso de clonación, coloque el radio de origen en su SUC con un accesorio de audio y, a continuación, presione y suelte el botón **Menú**.

Si se realiza correctamente, el radio de origen emitirá un pitido de clave correcta.

Si no se realiza correctamente, el radio de origen emitirá un tono de error.

El tono no se emite por más de cinco segundos.
- 6 Cuando el proceso de clonación finalice, apague y encienda los radios para traerlos al modo de usuario tras salir del modo de clonación.



NOTA:

Cuando el radio esté en modo de clonación, la función **Apagado automático** no se aplica.

5.3

Clonación de radios mediante el cargador para varias unidades

Requisitos:

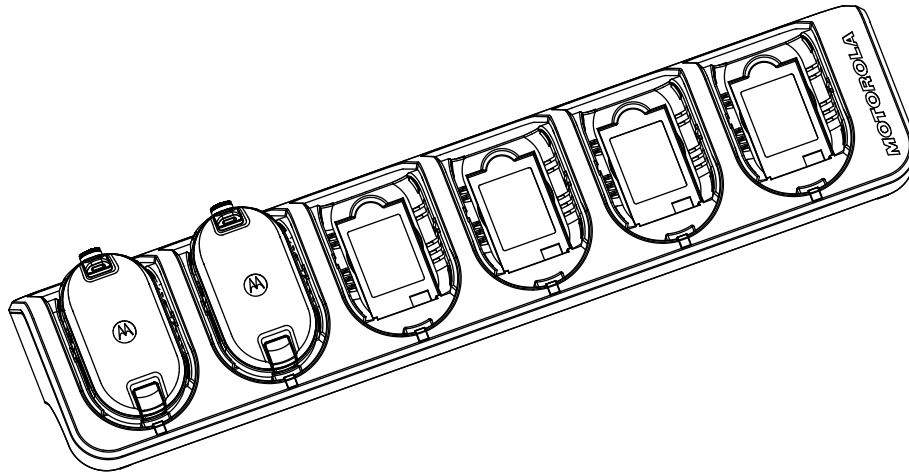
- Una batería completamente cargada en cada radio.
- Cargador para varias unidades (MUC) de la serie CLP.
- Ambos radios están apagados.
- Radio de origen: El radio que se clonará.
- Radio de destino: Radio al que se copiará la configuración del radio de origen.

Procedimiento:

- 1 Para colocar el radio de origen en modo de clonación, mantenga presionado los botones **PTT** y **-** del radio de origen de manera simultánea mientras enciende el radio hasta que se escuche el tono de clonación.
- 2 Coloque el radio de origen en una de las cavidades de carga que tiene la etiqueta **CLON**.
- 3 Apague el radio de destino y colóquelo en la cavidad de carga de emparejamiento que tiene la etiqueta **CLON** e inicie el proceso de clonación.
- 4 Para iniciar el proceso de clonación, presione el botón **Menú** en el radio de origen.

El radio de origen genera el tono de clonación de inicio.
- 5 Para activar el radio, apague y encienda los radios cuando finalice el proceso de clonación.
- 6 Para clonar otro radio, repita [paso 3](#) a [paso 5](#).
- 7 Para salir del modo de clonación en el radio de origen, apague el radio.

Figura 13: Clonación del radio a través de un cargador para varias unidades



5.4

Solución de problemas en el modo de clonación

Cuándo y dónde se utilizan:

La voz del radio anuncia "Error", lo que indica que falló el proceso de clonación. En el caso de que la clonación falle, realice cada uno de los siguientes pasos antes de intentar volver a iniciar el proceso de clonación.

Procedimiento:

- 1 Asegúrese de que las baterías de ambos radios estén cargadas por completo y colocadas correctamente.
- 2 Compruebe la conexión del cable de clonación en ambos cargadores para una unidad (SUC).
- 3 Asegúrese de que no haya residuos en la base de carga o en los contactos del radio y de que el contacto del radio toque firmemente el contacto del SUC o del cargador para varias unidades (MUC).
- 4 Asegúrese de que el radio de destino esté encendido.
- 5 Asegúrese de que el radio de origen se encuentre en modo de clonación.
- 6 Asegúrese de que los dos radios sean de la misma banda de frecuencia, de la misma región y tengan la misma potencia de transmisión.



NOTA:

El cable de clonación está diseñado para funcionar únicamente con el SUC compatible de Motorola Solutions.

Cuando solicite el kit de cable de clonación, asegúrese de solicitar el kit con el número de pieza HKKN4028_. Para obtener más información sobre los accesorios, consulte [Accesorios en la página 55](#).

Capítulo 6

Configuración avanzada del radio

La función de configuración avanzada del radio le permite establecer la configuración a partir de una lista programada previamente sin utilizar una computadora.

El Modo de configuración avanzada le permite personalizar la siguiente configuración:

- Canales
- Frecuencias
- Códigos (CTCC o DPL)

Las **Frecuencias** le permiten seleccionar las frecuencias para cada canal. Los **Códigos** ayudan a minimizar la interferencia tras proporcionarle una opción de combinaciones de códigos que filtran la estática, el ruido y los mensajes no deseados.

6.1

Ingreso al modo de configuración avanzada del radio

Requisitos:

Apague el radio.

Procedimiento:

- 1** Presione los botones **PTT**, **+** y **Encendido** de manera simultánea y mantenga presionado de tres a cinco segundos hasta que se escuche un sonido y el aviso de voz `modo de programación`.
El LED parpadea en verde.
- 2** Para seleccionar la configuración que desea cambiar, presione el botón **Menú**.
Esto es la siguiente configuración que puede cambiar:
 - Canal (para modelos de varios canales)
 - Frecuencia
 - CódigoLos anuncios de voz indican los elementos del menú y su configuración actual.
- 3** Para cambiar la configuración, presione el botón **+** o **-**.
- 4** Para dirigirse al siguiente elementos del menú, presione el botón **Menú**.
- 5** Para salir del modo **Configuración avanzada del radio**, mantenga presionado el botón **PTT** hasta que se escuche un sonido.

Capítulo 7

Solución de problemas


En la siguiente tabla, se explican las formas de solucionar problemas si ocurre el síntoma.


7.1

Síntomas y soluciones

Procedimiento:

1

Si...	Entonces...
No hay alimentación	<p>Cargue o reemplace la batería de Li-ion.</p> <p> NOTA: Las temperaturas de operación extremas pueden afectar la vida útil de la batería.</p> <p>Consulte Especificaciones de la batería en la página 28.</p>
Oír otros ruidos o una conversación en un canal	<p>La frecuencia o el código eliminador de interferencias podría estar en uso.</p> <p>Realice una de las siguientes acciones:</p> <ul style="list-style-type: none">• Confirme que el código eliminador de interferencias esté configurado.• Cambie la configuración de las frecuencias o los códigos en todos los radios.• Cuando transmita, asegúrese de que el radio se encuentra en la frecuencia y el código correctos.
Mensaje codificado	<p>El código de codificación podría estar activado o la configuración no coincide con otra configuración del radio.</p> <p>Cambie la configuración a través del Software de programación para el cliente (CPS).</p>
La calidad de audio no es lo bastante buena	<p>Es posible que la configuración del radio no coincida de manera correcta.</p> <p>Compruebe las frecuencias, los códigos y los anchos de banda para asegurarse de que la configuración es la misma en todos los radios.</p>
Rango de comunicación limitado	Realice una de las siguientes acciones:

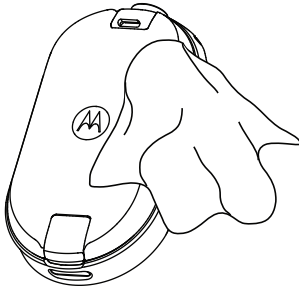
Si...	Entonces...
	<ul style="list-style-type: none"> • Para mejorar la transmisión, busque un lugar con línea de vista despejada. Evite estar cerca del acero, las estructuras de concreto, la vegetación densa, los edificios o los vehículos. • Cambie la ubicación del radio. • Para aumentar el rango y la cobertura, puede reducir las obstrucciones o aumentar la potencia. Los radios UHF proporcionar una mayor cobertura en edificios industriales y comerciales. Aumentar la potencia proporciona un mayor rango y penetración de la señal a través de las obstrucciones.
El mensaje no transmitió o no se recibió	<p>Realice una de las siguientes acciones:</p> <ul style="list-style-type: none"> • Cuando transmita, asegúrese de que el botón PTT esté completamente presionado. • Confirme que los radios tengan la misma configuración de canal, frecuencia, código eliminador de interferencias y código de codificación. Consulte Transmisión y recepción en la página 21. • Cargue, reemplace o cambie la posición de las baterías. Consulte Especificaciones de la batería en la página 28. • Cambie la ubicación del radio. Las obstrucciones, al igual que la operación bajo techo o dentro de vehículos, pueden causar interferencia. . • Verifique que el radio no esté en modo de rastreo. Consulte Rastreo de los canales de radio en la página 25.
Mucha estática o interferencia	<p>Los radios están demasiado cerca. Asegúrese de que los radios transmisores y receptores estén al menos a 1,5 metros (5 pies) de distancia.</p> <p>Los radios están demasiado lejos uno de otro, o existen obstáculos que están interfiriendo en la transmisión.</p>
La carga de las baterías está baja	<p>Cargue o reemplace la batería de iones de litio.</p> <p> NOTA: Las temperaturas de operación extremas afectan la vida útil de la batería.</p>

Si...	Entonces...
	Consulte Especificaciones de la batería en la página 28 .
El indicador LED del cargador directo no parpadea	Realice una de las siguientes acciones: <ul style="list-style-type: none">• Verifique que el radio y la batería estén insertados correctamente.• Compruebe la batería y contactos del cargador para asegurarse de que estén limpios y que el pin de carga esté insertado correctamente. Consulte Carga de una batería independiente con el SUC directo de base en la página 31 y Indicaciones LED del cargador en la página 33 .
La batería no se carga aunque se hayan colocado en el cargador directo durante un rato	Realice una de las siguientes acciones: <ul style="list-style-type: none">• Compruebe que el cargador directo de base esté conectado correctamente y que corresponde a una fuente de alimentación compatible. Consulte Carga de una batería independiente con el SUC directo de base en la página 31.• Compruebe los indicadores LED del cargador para ver si la batería tiene un problema. Consulte Indicaciones LED del cargador en la página 33.

Capítulo 8

Uso y cuidados

En este capítulo se explica el mantenimiento del radio.



Use un paño suave húmedo para limpiar el exterior

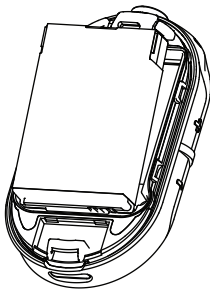


No sumergir en agua

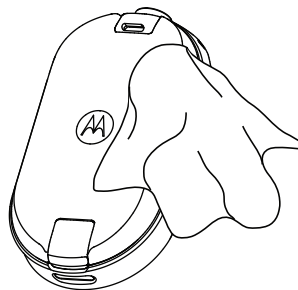


No utilice alcohol ni soluciones de limpieza

Si se sumerge en agua el radio:



Apague el radio y quite las baterías



Séquelo con un paño suave



No use el radio hasta que esté completamente seco



NOTA:

El radio solo cuenta con certificación IP54 cuando se inserta la cubierta antipolvo o el accesorio de audio en el conector.

Capítulo 9

Tabla de códigos y frecuencias del radio

En las siguientes tablas, se muestra la información de frecuencia, que son útiles cuando se utilizan los radios de dos vías de la serie CLP de Motorola Solutions con otros radios comerciales.

La mayoría de las posiciones de frecuencia son las mismas de la serie Spirit M, GT, S, XTN, RDX y CLS; los anchos de banda son diferentes.

9.1

Lista de frecuencias y anchos de banda de Canadá

Mesa 11: Lista de frecuencias y anchos de banda

Número de frecuencia	Configuración de la frecuencia (MHz)	Ancho de banda (kHz)
1	458.6625	12,5
2	469.2625	12,5

9.2

Frecuencias del CLP

Mesa 12: Frecuencias del CLP UHF

Número de frecuencia	Frecuencia (MHz)	Ancho de banda (kHz)	Número de frecuencia	Frecuencia (MHz)	Ancho de banda (kHz)
1	464.5000	12,5	46	466.3375	12,5
2	464.5500	12,5	47	466.3625	12,5
3	467.7625	12,5	48	467.7875	12,5
4	467.8125	12,5	49	467.8375	12,5
5	467.8500	12,5	50	467.8625	12,5
6	467.8750	12,5	51	467.8875	12,5
7	467.9000	12,5	52	467.9125	12,5
8	467.9250	12,5	53	469.4875	12,5
9	461.0375	12,5	54	469.5125	12,5
10	461.0625	12,5	55	469.5375	12,5
11	461.0875	12,5	56	469.5625	12,5
12	461.1125	12,5	57	462.1875	12,5
13	461.1375	12,5	58	462.4625	12,5
14	461.1625	12,5	59	462.4875	12,5

Número de frecuencia	Frecuencia (MHz)	Ancho de banda (kHz)	Número de frecuencia	Frecuencia (MHz)	Ancho de banda (kHz)
15	461.1875	12,5	60	462.5125	12,5
16	461.2125	12,5	61	467.1875	12,5
17	461.2375	12,5	62	467.4625	12,5
18	461.2625	12,5	63	467.4875	12,5
19	461.2875	12,5	64	467.5125	12,5
20	461.3125	12,5	65	451.1875	12,5
21	461.3375	12,5	66	451.2375	12,5
22	461.3625	12,5	67	451.2875	12,5
23	462.7625	12,5	68	451.3375	12,5
24	462.7875	12,5	69	451.4375	12,5
25	462.8125	12,5	70	451.5375	12,5
26	462.8375	12,5	71	451.6375	12,5
27	462.8625	12,5	72	452.3125	12,5
28	462.8875	12,5	73	452.5375	12,5
29	462.9125	12,5	74	452.4125	12,5
30	464.4875	12,5	75	452.5125	12,5
31	464.5125	12,5	76	452.7625	12,5
32	464.5375	12,5	77	452.8625	12,5
33	464.5625	12,5	78	456.1875	12,5
34	466.0375	12,5	79	456.2375	12,5
35	466.0625	12,5	80	456.2875	12,5
36	466.0875	12,5	81	468.2125	12,5
37	466.1125	12,5	82	468.2625	12,5
38	466.1375	12,5	83	468.3125	12,5
39	466.1625	12,5	84	468.3625	12,5
40	466.1875	12,5	85	468.4125	12,5
41	466.2125	12,5	86	468.4625	12,5
42	466.2375	12,5	87	468.5125	12,5
43	466.2625	12,5	88	468.5625	12,5
44	466.2875	12,5	89	468.6125	12,5
45	466.3125	12,5	90	468.6625	12,5

9.3

Códigos eliminadores de interferencias de CTCSS/DPL

Mesa 13: Códigos eliminadores de interferencias de CTCSS/DPL

CTCSS	Código	CTCSS/ DPL	Códi go	DPL	Códi go	DPL	Códi go	DPL	Códi go
0	Desactiva do	24	151.4	47	54	71	243	95	445
1	67.0	25	156.7	48	65	72	244	96	464
2	71.9	26	162.2	49	71	73	245	97	465
3	74.4	27	167.9	50	72	74	251	98	466
4	77.0	28	173.8	51	73	75	261	99	503
5	79.7	29	179.9	52	74	76	263	100	506
6	82.5	30	186.2	53	114	77	265	101	516
7	85.4	31	192.8	54	115	78	271	102	532
8	88.5	32	203.5	55	116	79	306	103	546
9	91.5	33	210.7	56	125	80	311	104	565
10	94.8	34	218.1	57	131	81	315	105	606
11	97.4	35	225.7	58	132	82	331	106	612
12	100.0	36	233.6	59	134	83	343	107	624
13	103.5	37	241.8	60	143	84	346	108	627
14	107.2	38	250.3	61	152	85	351	109	631
15	110.9	122	69.3	62	155	86	364	110	632
16	114.8	39	23	63	156	87	365	111	654
17	118.8	40	25.0	64	162	88	371	112	662
18	123.0	41	26.0	65	165	89	411	113	664
19	127.3	42	31.0	66	172	90	412	114	703
20	131.8	43	32.0	67	174	91	413	115	712
21	136.5	44	43.0	68	205	92	423	116	723
22	141.3	45	47.0	69	223	93	431	117	731
23	146.2	46	51.0	70	226	94	432	118	732
								119	734

Mesa 14: Códigos eliminadores de interferencias de CTCSS/DPL (continuación)

DPL	Código	DPL	Código	DPL	Código	DPL	Código
120	743	146	DPL 55 invertido	171	DPL 80 invertido	195	DPL 104 invertido
121	754	147	DPL 56 invertido	172	DPL 81 invertido	196	DPL 105 invertido

DPL	Código	DPL	Código	DPL	Código	DPL	Código
123	645	148	DPL 57 invertido	173	DPL 82 invertido	197	DPL 106 invertido
124	PL persona lizado	149	DPL 58 invertido	174	DPL 83 invertido	198	DPL 107 invertido
125	PL persona lizado	150	DPL 59 invertido	175	DPL 84 invertido	199	DPL 108 invertido
126	PL persona lizado	151	DPL 60 invertido	176	DPL 85 invertido	200	DPL 109 invertido
127	PL persona lizado	152	DPL 61 invertido	177	DPL 86 invertido	201	DPL 110 invertido
128	PL persona lizado	153	DPL 62 invertido	178	DPL 87 invertido	202	DPL 111 invertido
129	PL persona lizado	154	DPL 63 invertido	179	DPL 88 invertido	203	DPL 112 invertido
130	DPL 39 invertid o	155	DPL 64 invertido	180	DPL 89 invertido	204	DPL 113 invertido
131	DPL 40 invertid o	156	DPL 65 invertido	181	DPL 90 invertido	205	DPL 114 invertido
132	DPL 41 invertid o	157	DPL 66 invertido	181	DPL 90 invertido	206	DPL 115 invertido
133	DPL 42 invertid o	158	DPL 67 invertido	182	DPL 91 invertido	207	DPL 116 invertido
134	DPL 43 invertid o	159	DPL 68 invertido	183	DPL 92 invertido	208	DPL 117 invertido
135	DPL 44 invertid o	160	DPL 69 invertido	184	DPL 93 invertido	209	DPL 118 invertido
136	DPL 45 invertid o	161	DPL 70 invertido	185	DPL 94 invertido	210	DPL 119 invertido
137	DPL 46 invertid o	162	DPL 71 invertido	186	DPL 95 invertido	211	DPL 120 invertido

DPL	Código	DPL	Código	DPL	Código	DPL	Código
138	DPL 47 invertido o	163	DPL 72 invertido	187	DPL 96 invertido	212	DPL 121 invertido
139	DPL 48 invertido o	164	DPL 73 invertido	188	DPL 97 invertido	213	DPL 123 invertido
140	DPL 49 invertido o	165	DPL 74 invertido	189	DPL 98 invertido	214	DPL personalizado
141	DPL 50 invertido o	166	DPL 75 invertido	190	DPL 99 invertido	215	DPL personalizado
142	DPL 51 invertido o	167	DPL 76 invertido	191	DPL 100 invertido	216	DPL personalizado
143	DPL 52 invertido o	168	DPL 77 invertido	192	DPL 101 invertido	217	DPL personalizado
144	DPL 53 invertido o	169	DPL 78 invertido	193	DPL 102 invertido	218	DPL personalizado
145	DPL 54 invertido o	170	DPL 79 invertido	194	DPL 103 invertido	219	DPL personalizado

Capítulo 10

Garantía limitada de Motorola Solutions para Estados Unidos y Canadá

10.1

Garantía

Sujeto a las exclusiones contenidas a continuación, Motorola Solutions, Inc. garantiza que sus radios de dos vías están libres de defectos en materiales y calidad de mano de obra en condiciones normales de uso durante los períodos que se describen a continuación.

Esta garantía limitada es un recurso exclusivo del consumidor y se aplica de la siguiente manera a los nuevos Productos, Accesorios y Software de Motorola Solutions que hayan comprado los consumidores en los países de Latinoamérica y que estén acompañados por esta garantía escrita.

10.2

Productos y Accesorios

En la tabla se muestra la duración de la cobertura de productos y accesorios.

Mesa 15: Productos y Accesorios

Productos cubiertos	Longitud de la cobertura
Los productos y accesorios antes definidos, salvo que se disponga lo contrario a continuación	Un (1) año a partir de la fecha de compra por parte del primer comprador del producto, a menos que se disponga lo contrario a continuación.
Accesorios y estuches decorativos. Cubiertas decorativas, biseles, cubiertas PhoneWrap™ y estuches	Garantía de por vida limitada para el primer comprador del producto.
Accesorios para radios de dos vías comerciales	Un (1) año a partir de la fecha de compra por parte del primer comprador del producto.
Productos y accesorios reparados o reemplazados	Lo que queda de la garantía original o 90 días a partir de la fecha de devolución al consumidor, lo que sea mayor.
Radio de dos vías	Dos (2) años a partir de la fecha de compra por parte del primer comprador del producto.

10.3

Exclusiones

Uso y desgaste normales

Se excluye de la cobertura el mantenimiento periódico, la reparación y el reemplazo de piezas debido al uso y al desgaste normales.

Baterías

Esta garantía limitada solo cubre las baterías cuya capacidad cargada por completo quede bajo el 80 % de su capacidad nominal y las baterías que presenten filtraciones.

Mal uso o uso indebido

Se excluyen de la cobertura defectos o daños provocados por:

- operación incorrecta, almacenamiento, mal uso o abuso, accidente o negligencia, como daños físicos (grietas, rasguños, etc.) en la superficie del producto como resultado del mal uso
- contacto con líquidos, agua, lluvia, humedad extrema o transpiración intensa, arena, tierra o similares, calor extremo o alimentos
- el uso de productos o accesorios con fines comerciales o someter el producto o el accesorio a usos o condiciones anormales
- otros actos que no son culpa de Motorola Solutions, están excluidos de la cobertura.

Uso de productos y accesorios que no sean de la marca Motorola Solutions

Se excluyen de la cobertura los defectos que resulten del uso de Productos, Accesorios, Software u otros equipos periféricos que no sean de marca Motorola Solutions ni estén certificados por Motorola Solutions.

Servicio o modificación sin autorización

Se excluyen de la cobertura los defectos o daños que resulten del servicio, prueba, ajuste, instalación, mantenimiento, alteración o modificación de cualquier tipo realizados por personas ajenas a Motorola Solutions o sus centros de servicio autorizados.

Productos alterados

Los productos o accesorios con:

- números de serie o etiquetas de fecha que se han quitado, alterado o borrado
- sellos rotos o que tengan evidencia de manipulación
- números de serie de la placa que no coinciden
- las carcasas o piezas que no cumplen o que no son de Motorola Solutions están excluidas de la cobertura

Servicios de comunicación

Se excluyen de la cobertura los defectos, daños o mal funcionamiento de los Productos, Accesorios o Software debido a cualquier servicio o señal de comunicación al cual se pueda suscribir o usar con los Productos, Accesorios o Software.

10.4

Software**Mesa 16: Tabla de garantía de software**

Productos cubiertos	Longitud de la cobertura
Software Solo se aplica a defectos físicos en los medios que soportan la copia del software.	90 días a partir de la fecha de compra.

Exclusiones**Software soportado por medios físicos**

La garantía no confirma que el software cumpla con sus requisitos ni funcione en combinación con cualquier otro producto de hardware o de aplicaciones de software proporcionados por terceros, que el funcionamiento de los productos de software no tenga interrupciones ni errores ni que se corregirán todos los defectos de software.

Software no soportado por medios físicos

El software no soportado por medios físicos (por ejemplo, el software descargado de Internet) se proporciona “tal como está” y no tiene garantía.

10.5

Cobertura de la garantía

Esta garantía se extiende solo al primer comprador consumidor y no es transferible.

10.6

Garantía y asistencia de servicio

Motorola Solutions tiene la opción de reparar o reemplazar los productos o el software que no cumplan con la garantía, o de reembolsar el precio de compra de los productos sin cargo.

Podremos utilizar productos o piezas reacondicionados, renovados, usados o nuevos que cumplan con funciones equivalentes. No se entregan actualizaciones de software.

10.7

Retención de la prueba de compra original

Motorola Solutions le enviará los productos reparados o de reemplazo y correrá con los gastos de envío y seguros, pero el usuario deberá pagar cualquier impuesto aplicable.

Si se necesita información adicional, comuníquese con el punto de venta de Motorola Solutions.

10.8

Cómo obtener servicio de garantía u otra información

Comuníquese con el punto de venta de Motorola Solutions.

- 1-800-448-6686 en los EE. UU.
- 1-800-461-4575 en Canadá
- 1-866-522-5210 en su TTY (Teléfono de texto)

Deberá enviarnos los productos con los fletes, derechos y seguros prepagados. Junto con los productos, debe incluir lo siguiente:

- una copia del recibo, contrato de venta u otra prueba de compra equivalente
- una descripción escrita del problema
- el nombre del proveedor de servicios (si este producto necesita un servicio de suscripción)
- el nombre y la ubicación del servicio de instalación (si corresponde) y, lo que es más importante
- su dirección y número de teléfono. Si se le solicita, también debe devolver todas las partes desprendibles tales como antenas, baterías y cargadores.

10.9

Aviso de derechos de autor del software

Los productos Motorola Solutions que se describen en este manual pueden incluir programas informáticos de Motorola Solutions protegidos por derechos de autor, almacenados en las memorias de los semiconductores o en otros medios. Las leyes de Estados Unidos, y de otros países, resguardan para Motorola Solutions ciertos derechos exclusivos sobre los programas informáticos protegidos por derechos de autor, incluido, entre otros, el derecho exclusivo de copiar o reproducir, en cualquier forma, el programa informático protegido. En consecuencia, no se puede copiar, reproducir, modificar, someter a operaciones de ingeniería inversa ni distribuir, de ninguna manera, ningún

programa informático de Motorola Solutions protegido por derechos de autor e incluido en los productos Motorola Solutions que se describen en este manual sin la autorización expresa por escrito de Motorola Solutions.

Asimismo, no se considerará que la compra de productos Motorola Solutions otorgue en forma directa, implícita, por exclusión ni de ningún otro modo una licencia sobre los derechos de autor, patentes o aplicaciones de patentes de Motorola Solutions, excepto la licencia normal y no exclusiva que surge de las consecuencias legales de la venta de un producto.

10.10

Aviso de patente

Este producto está cubierto por una o más de las siguientes patentes de Estados Unidos.

5896277 5894292 5864752 5699006 5742484 D408396 D399821 D387758 D389158 5894592
5893027 5789098 5734975 5861850 D395882 D383745 D389827 D389139 5929825 5926514
5953640 6071640 D413022 D416252 D416893 D433001

10.11

Garantías de la Ley de exportaciones

Este producto está controlado por las regulaciones de exportación de Estados Unidos de América. Los gobiernos de Estados Unidos y Canadá pueden restringir la exportación o reexportación de este producto a ciertos destinos.

Para obtener más información, comuníquese con el Departamento de Comercio de Estados Unidos.

Capítulo 11

Accesorios

Mesa 17: Accesorios de audio

N.º de pieza	Descripción
PMLN8077_	Auricular externo, pin único
PMLN8125_	Auricular externo, pin único, cable corto
PMLN8190_	Auricular de vigilancia, pin único

Mesa 18: Baterías

N.º de pieza	Descripción
HKNN4013_	Batería de iones de litio de alta capacidad de la serie CLP
PMLN8066_	Tapa de la batería de iones de litio de alta capacidad de la serie CLPe

Mesa 19: Accesorios para transportar los radios

N.º de pieza	Descripción
PMLN8064_	Estuche magnético de la serie CLPe
PMLN8065_	Funda con clip giratorio para cinturón de la serie CLP

Mesa 20: Cargadores

N.º de pieza	Descripción
HKPN4007_	Kit de carga para varias unidades (MUC) de la serie CLP
HKPN4008_ ⁶	Kit de carga para una unidad (SUC) de la serie CLP
PMPN4020_	Kit de carga para varias unidades (MUC) de la serie CLP

Mesa 21: Cables de programación

N.º de pieza	Descripción
HKKN4027_	Cable CPS de la serie CLP
HKKN4028_	Cable de clonación de la serie CLP

⁶ Desde la revisión C en adelante

Contactos

Para preguntas relacionadas con el producto, comuníquese al:

- 1-800-448-6686 en EE. UU.
- 1-800-461-4575 en Canadá
- 1-866-522-5210 en su TTY (Teléfono de texto)

Índice

Propriedade intelectual e comunicados regulatórios.....	5
Informações de segurança para baterias, carregadores e acessórios de áudio.....	7
Diretrizes de segurança operacional.....	7
Segurança acústica.....	8
Informações de licenciamento da FCC.....	9
Declaração de conformidade do fornecedor.....	10
Padrões de segurança de exposição à frequência de rádio.....	11
Aviso aos usuários.....	12
Informações de licenciamento do Canadá.....	13
Introdução.....	14
Conteúdo do pacote.....	14
Capítulo 1: Visão geral do rádio.....	15
Capítulo 2: Início.....	16
2.1 Instalar a bateria.....	16
2.2 Conexão de acessório de áudio com fio.....	16
2.3 Ligar e desligar o rádio.....	18
2.4 Ajustar o volume.....	18
2.5 Inserir e remover o estojo do clipe de cinto giratório.....	18
2.6 Transmissão e recepção.....	19
2.6.1 Alcance da conversação.....	20
2.7 Configuração do Menu.....	20
2.7.1 Operações usando as configurações de menu.....	20
2.8 Selecionar canais.....	21
2.8.1 Configurações de canal padrão para CPS.....	21
2.8.2 Indicadores de LED.....	22
2.8.2.1 Volume LED.....	22
2.9 Monitorar canais.....	23
2.10 Varredura.....	23
2.10.1 Verificação dos canais de rádio.....	23
2.11 Varredura dinâmica de Talkaround.....	23
2.12 Envio de tons de chamada.....	24
2.13 Como silenciar o rádio.....	24
2.14 Escalonar chamada.....	24
Capítulo 3: Bateria e Carregador.....	26

3.1 Especificações da bateria.....	26
3.2 Vida útil da bateria.....	26
3.3 Reciclar e descartar a bateria.....	26
3.4 Remover a bateria de íons de lítio.....	27
3.5 Fonte de Alimentação, Adaptador e Carregador de Encaixe.....	27
3.6 Bateria autônoma.....	28
3.6.1 Carregamento de uma bateria autônoma com o SUC de bandeja de encaixe.....	29
3.6.2 Carregamento de uma bateria autônoma com o MUC de bandeja de encaixe - Acessório opcional.....	29
3.6.3 Tempo de carregamento estimado.....	29
3.7 Carregamento de Rádio com o SUC de Bandeja de Encaixe.....	29
3.8 Carregamento com o acessório MUC opcional de bandeja de encaixe.....	30
3.9 Indicadores de LED do carregador.....	31
3.10 Verificar o status da bateria.....	32
Capítulo 4: Programação de rádio por CPS.....	33
4.1 Programação do rádio.....	33
4.2 Definições padrão de fábrica.....	34
Capítulo 5: Clonagem de rádio.....	36
5.1 Clonagem de configurações do rádio.....	36
5.2 Clonagem de rádios usando o cabo de clonagem.....	36
5.3 Clonagem de rádios usando o carregador multiunidades.....	37
5.4 Solução de problemas no modo de clonagem.....	38
Capítulo 6: Configuração do rádio avançada.....	39
6.1 Entrada no modo de configuração do rádio avançada.....	39
Capítulo 7: Diagnóstico e solução de problemas.....	40
7.1 Sintoma e soluções.....	40
Capítulo 8: Uso e cuidados.....	43
Capítulo 9: Frequência de rádio e gráfico de código.....	44
9.1 Lista de Frequência e Largura de Banda do Canadá.....	44
9.2 Frequências CLP.....	44
9.3 Códigos Eliminadores de Interferência CTCSS/DPL.....	46
Capítulo 10: Garantia Limitada da Motorola Solutions para os Estados Unidos e o Canadá.....	49
10.1 Garantia.....	49
10.2 Produtos e acessórios.....	49
10.3 Exclusões.....	49
10.4 Software.....	50
10.5 Cobertura da garantia.....	51
10.6 Garantia e Suporte de Serviço.....	51

10.7	Guarde o Comprovante de Compra Original.....	51
10.8	Como obter o serviço de garantia ou outras informações.....	51
10.9	Aviso de Direitos Autorais do Software.....	51
10.10	Aviso de patente.....	52
10.11	Garantias da lei de exportação.....	52
Capítulo 11:	Acessórios.....	53

Propriedade intelectual e comunicados regulatórios

Direitos autorais

Os produtos da Motorola Solutions descritos neste documento podem incluir programas de computador da Motorola Solutions protegidos por direitos autorais. As leis dos Estados Unidos e de outros países garantem determinados direitos exclusivos da Motorola Solutions que envolvem programas de computador protegidos por direitos autorais. Sendo assim, nenhum programa de computador protegido por direitos autorais da Motorola Solutions incluído nos produtos da Motorola Solutions descritos neste documento pode ser copiado ou reproduzido, de qualquer forma, sem permissão expressa por escrito da Motorola Solutions.

Nenhuma parte deste documento pode ser reproduzida, transmitida, armazenada em sistema de recuperação ou traduzida para qualquer idioma ou linguagem de computador, de forma nenhuma nem por nenhum meio, sem permissão prévia por escrito da Motorola Solutions, Inc.

Marcas registradas

MOTOROLA, MOTO, MOTOROLA SOLUTIONS e o logotipo “M” estilizado são marcas comerciais ou registradas da Motorola Trademark Holdings, LLC e são utilizadas sob licença. Todas as demais marcas comerciais pertencem aos seus respectivos proprietários.

Direitos de licença

A aquisição de produtos da Motorola Solutions não pressupõe garantia, explícita ou implícita, por impedimento ou qualquer outra forma, de qualquer licença de direito autoral, patente ou aplicação de patente da Motorola Solutions, exceto a licença de uso regular não exclusiva, isenta de exploração de patente concedida por força de lei na venda de um produto.

Conteúdo de código aberto

Este produto pode conter software de código aberto usado conforme licença. Consulte na mídia de instalação do produto o conteúdo completo sobre Atribuições e comunicados jurídicos de código aberto.

Diretiva WEEE (Waste of Electrical and Electronic Equipment, resíduos de equipamentos elétricos e eletrônicos) da UE (União Europeia) e do Reino Unido



A diretiva WEEE da União Europeia e a regulamentação WEEE do Reino Unido exigem que os produtos vendidos nos países da União Europeia e do Reino Unido exibam a etiqueta de lixeira cruzada no produto (ou na embalagem, em alguns casos). Conforme definido pela diretiva WEEE, essa etiqueta de lixeira cruzada indica que os clientes e os usuários finais nos países da União Europeia e do Reino Unido não podem descartar equipamentos ou acessórios elétricos ou eletrônicos em lixo doméstico.

Os clientes ou usuários finais dos países da União Europeia e do Reino Unido devem entrar em contato com o representante do fornecedor do equipamento ou o centro de assistência local para obter informações sobre o sistema de coleta de lixo em seu país.

Isenção de responsabilidade

Observação: alguns recursos e capacidades descritos neste documento podem não ser pertinentes ou licenciados para uso em um sistema específico ou podem depender das características de uma

determinada unidade de rádio móvel ou da configuração de determinados parâmetros. Consulte seu contato da Motorola Solutions para mais informações.

© 2023 Motorola Solutions, Inc. Todos os direitos reservados

Informações de segurança para baterias, carregadores e acessórios de áudio

Este documento contém instruções de segurança e operação importantes. Leia estas instruções cuidadosamente e guarde para referência futura. Antes de usar o carregador de bateria, leia todas as instruções e avisos:

- no carregador
 - na bateria
 - no rádio conectado com a bateria
- 1 Para reduzir o risco de lesões, carregue somente as baterias recarregáveis autorizadas da Motorola Solutions. Carregar as outras baterias pode causar explosão, ferimentos e danos.
 - 2 O uso de acessórios não autorizados pela Motorola Solutions pode resultar em incêndio, choque elétrico ou lesões.
 - 3 Para reduzir danos à tomada e ao fio, puxe pelo plugue em vez de pelo fio ao desconectar o carregador.
 - 4 Não utilize uma extensão elétrica, a menos que seja necessário. A utilização de extensões inadequadas pode resultar em incêndio e choque elétrico. Caso seja necessário utilizar uma extensão elétrica, verifique se o tamanho da extensão é de 18 AWG para comprimentos de até 2,0 m (6,5 pés) e de 16 AWG para comprimentos de até 3,0 m (9,8 pés).
 - 5 Não use um carregador que tenha caído nem que esteja danificado de alguma forma. Leve-o a representantes qualificados de assistência técnica da Motorola Solutions.
 - 6 Não desmonte o carregador; ele não pode ser consertado e não há peças de reposição disponíveis. A desmontagem do carregador pode resultar em risco de choque elétrico ou incêndio.
 - 7 Para reduzir o risco de choque elétrico, remova o plugue do carregador da tomada de CA antes de realizar qualquer tipo de limpeza ou manutenção.

Diretrizes de segurança operacional

- Desligue o rádio ao carregar.
- O carregador não é adequado para uso externo. Utilize somente em locais secos ou em condições secas.
- Desconecte o carregador da tensão de linha retirando o conector principal.
- Conecte o equipamento a uma tomada que seja próxima e de fácil acesso.
- Para equipamento com fusíveis, as trocas devem estar em conformidade com o tipo e a classificação especificada nas instruções do equipamento.
- A temperatura máxima do ambiente em volta do equipamento da fonte de alimentação não deve ser superior a 40 °C (104 °F).
- A saída de potência da unidade de fonte de alimentação não deve ultrapassar as classificações estabelecidas na etiqueta do produto localizada na parte inferior do carregador.
- O cabo não pode ser pisado, chutado, molhado ou danificado.

Segurança acústica



ATENÇÃO:

A exposição a ruídos muito altos de qualquer origem por longos períodos pode prejudicar sua audição temporária ou permanentemente. Quanto mais alto for o volume do rádio, menor o tempo necessário para que a sua audição seja prejudicada. Por vezes, os danos à audição devido a sons muito altos não são detectados em um primeiro momento, podendo ter efeito cumulativo.

Para proteger sua audição:

- Use o volume mais baixo possível para a execução da sua tarefa.
- Só aumente o volume se estiver em ambientes com excesso de ruídos.
- Reduza o volume antes de conectar o headset ou os fones intra-auriculares.
- Limite o tempo de uso de headsets ou fones de ouvido com volume alto.
- Se sentir algum desconforto auditivo, zumbidos ou sons abafados, pare de ouvir o rádio através do headset ou fone de ouvido e consulte um médico.

Informações de licenciamento da FCC

Este dispositivo está em conformidade com as Partes 90 e 15 das Regras da FCC (Federal Communications Commission).

A operação está sujeita à condição de que este dispositivo não cause interferência prejudicial. O rádio opera em radiofrequências regulamentadas pela FCC (Federal Communications Commission). Para transmitir nessas frequências, é necessária uma licença emitida pela FCC. O aplicativo é disponibilizado no Formulário 601 da FCC e nas Programações D, H e no Formulário de remessa 159.

Para obter esses formulários da FCC, solicite o documento 000601, que inclui todos os formulários e instruções. Se desejar receber o documento via fax ou correio ou tiver dúvidas, use as informações de contato a seguir.

Fax

Entre em contato com o sistema Fax sob Demanda em 1-202-418-0177

Correio

Faça uma chamada para a linha direta dos formulários da FCC para 1-800-418-FORM ou 1-800-418-3676

Contato

Para esclarecer dúvidas sobre a licença da FCC, entre em contato pelo telefone 1-888-CALL-FCC, 1-888-225-5322 ou <http://www.fcc.gov>.

Antes de preencher sua aplicação, você deve decidir em qual frequência pode operar. Em caso de dúvidas sobre como determinar a radiofrequência, ligue para os Serviços de Produtos da Motorola Solutions: 1-800-448-6686. Alterações ou modificações que não sejam expressamente aprovadas pela Motorola Solutions poderão anular a autoridade do usuário concedida pela FCC de operar este rádio e não devem ser realizadas. Para ficar em conformidade com os requisitos da FCC, os ajustes no transmissor só devem ser feitos por ou sob supervisão de uma pessoa certificada como tecnicamente qualificada para realizar manutenção no transmissor, reparos no rádio móvel terrestre privado e serviços fixos conforme certificado por uma organização representante do usuário desses serviços.

A reposição de qualquer componente do transmissor, como cristal, semicondutor, entre outros, não autorizada pela FCC para este rádio pode violar os regulamentos da FCC.



OBSERVAÇÃO:

O uso desse rádio fora do país no qual ele deveria ser distribuído está sujeito a regulamentos do governo e pode ser proibido.

Declaração de conformidade do fornecedor

Declaração de conformidade do fornecedor

De acordo com a CFR 47 Parte 2 Seção 2.1077(a) da FCC



Parte responsável

Nome: Motorola Solutions, Inc.

Endereço: 2000 Progress Pkwy, Schaumburg, IL. 60196

Telefone: 1-800-927-2744

Declara que o produto:

Nome do modelo: **CLP1010e/CLP1080e/CLP1013e/CLP1083e**

está em conformidade com as seguintes normas:

Parte 15, subparte B, seção 15.107(a), 15.107(d) e seção 15.109(a) da FCC

Dispositivo digital de Classe B

Como periférico de computador pessoal, este dispositivo está em conformidade com a Parte 15 das Normas da FCC. A operação está sujeita às duas condições a seguir:

- 1 Este dispositivo não pode causar interferências prejudiciais e
- 2 Este dispositivo deve aceitar qualquer interferência, inclusive as que possam causar operação indesejável do dispositivo.



OBSERVAÇÃO:

Este equipamento foi testado e considerado em conformidade com os limites para um dispositivo digital de Classe B, nos termos da parte 15 das Normas da FCC. Esses limites foram elaborados para fornecer uma proteção aceitável contra interferências prejudiciais em uma instalação residencial. Este equipamento gera, utiliza e pode irradiar energia de radiofrequência e, caso não seja instalado e usado de acordo com as instruções, poderá causar interferência prejudicial às comunicações de rádio. Entretanto, não há garantia de que não ocorrerão interferências em uma instalação específica.

Se este equipamento provocar interferência prejudicial à recepção de rádio ou televisão, o que pode ser determinado ao ligar e desligar o equipamento, o usuário deverá tentar corrigir a interferência seguindo um ou mais dos procedimentos abaixo:

- Reorientar ou reposicionar a antena receptora.
- Aumentar a distância entre o equipamento e o receptor.
- Conectar o equipamento a uma tomada de um circuito diferente daquele ao qual o receptor está conectado.
- Consultar um revendedor ou um técnico de rádio ou TV experiente para obter ajuda.

Padrões de segurança de exposição à frequência de rádio

Segurança do produto e conformidade com a exposição à RF.



ATENÇÃO:

Antes de usar o rádio, leia as instruções operacionais contidas no folheto Segurança do Produto e Exposição à RF fornecido com o rádio para operá-lo com segurança.

ATENÇÃO!

Este rádio destina-se somente ao uso Ocupacional para atender aos requisitos de exposição à energia de RF da FCC. Antes de usar o rádio, leia o Guia de exposição à energia de RF e segurança do produto para rádios bidirecionais portáteis, que contém importantes instruções de operação para utilização segura, reconhecimento e controle de energia de RF de acordo com normas e regulamentações aplicáveis.

Para ter uma lista de antenas, baterias e outros acessórios aprovados pela Motorola Solutions, acesse o seguinte site:


<http://www.motorolasolutions.com/CLP>

De acordo com os regulamentos da Industry Canada, este transmissor de rádio só pode operar com antena cujo tipo e ganho máximo (ou mínimo) tenha sido aprovado para o transmissor pela Industry Canada. Para reduzir a possibilidade de interferência do rádio em outros usuários, o tipo e o ganho de antena deverão ser escolhidos de modo que a EIRP (Equivalent Isotropically Radiated Power, potência irradiada isotrópica equivalente) não exceda a EIRP necessária para uma comunicação bem-sucedida.

Este rádio transmissor foi aprovado pela Industry Canada para operar com os tipos de antena aprovados pela Motorola Solutions com o ganho máximo permitido e a impedância de antena necessária para cada tipo de antena indicado. O uso de tipos de antena não incluídos nesta lista, com um ganho superior ao ganho máximo indicado para este tipo, é estritamente proibido neste dispositivo.

Aviso aos usuários

Este dispositivo está em conformidade com a parte 15 das normas da FCC, de acordo com as seguintes condições:

- Este dispositivo não pode causar interferências prejudiciais à saúde.
- Este dispositivo deve aceitar qualquer interferência, inclusive as que possam causar operação indesejável do dispositivo.
-  **ATENÇÃO:** Alterações ou modificações feitas neste dispositivo que não sejam expressamente aprovadas pela Motorola Solutions poderão anular o direito do usuário de operar o equipamento.

Informações de licenciamento do Canadá

Aviso aos usuários (indústria canadense)

A operação do rádio da Motorola Solutions está sujeita à Lei de radiocomunicações e deve estar em conformidade com as regras e regulamentos do departamento da Indústria Canadense do Governo Federal. A indústria canadense exige que todos os operadores que usam frequências móveis terrestres privadas obtenham uma licença de rádio antes de operar seus equipamentos.

O registro de licença

- 1** Preencha os itens de acordo com as instruções. Se você precisar de mais espaço em algum item, use o verso do formulário.
- 2** Imprima de forma legível
- 3** Faça uma cópia para seus arquivos.
- 4** Preencha um cheque ou ordem de pagamento para o "Destinatário geral do Canadá" no valor que está na programação a seguir para cada rádio adquirido. (A licença é renovada no dia 1º de abril de cada ano com validade de 12 meses.)
- 5** Envie o formulário preenchido por correio, juntamente com o cheque ou a ordem de pagamento para o escritório local mais próximo da Indústria Canadense, de acordo com a lista nas páginas.

Para obter o formulário de registro de licença canadense mais recente, acesse http://www.ic.gc.ca/ic_wp-pa.htm.

Introdução

Este guia de usuário aborda a operação dos seus rádios.

Entretanto, é possível que o revendedor ou administrador do sistema tenha personalizado seu rádio para atender às suas necessidades específicas. Obtenha mais informações com seu revendedor ou administrador do sistema.

Você pode consultar o revendedor ou administrador do sistema sobre:

- Seu rádio está programado com algum canal convencional predefinido?
- Que botões foram programados para acessar outros recursos?
- Que acessórios opcionais podem atender às suas necessidades?
- Quais são as práticas recomendadas de uso do rádio para comunicação efetiva?
- Quais procedimentos de manutenção ajudam a aumentar a vida útil do rádio?

Conteúdo do pacote

Esta seção fornece informações sobre o conteúdo do pacote para o rádio.

O pacote do produto contém os seguintes produtos e manuais:

- Rádio bidirecional Série CLP
- Estojo do clipe de cinto giratório
- Bateria de íons de lítio e porta da bateria
- Carregador de encaixe com transformador¹
- Acessório de áudio²
- Proteção da entrada de áudio
- Guia de início rápido, Folheto de instruções de carregadores, Folheto de segurança de RF

Para obter informações sobre o produto, consulte <https://learning.motorolasolutions.com>.

Para perguntas relacionadas ao produto, entre em contato com:

- 1-800-448-6686 nos EUA
- 1-800-461-4575 no Canadá
- 1-866-522-5210 no seu TTY (teletexto)

Este guia do usuário cobre os seguintes modelos:

Modelo	Banda de frequência	Potência de transmissão	Compatibilidade do repetidor	Nº de canais
CLP1010e	UHF	1 W	Sim	1
CLP1080e				8
CLP1013e				1
CLP1083e				8

¹ Aplicável apenas a modelos que não sejam em massa.

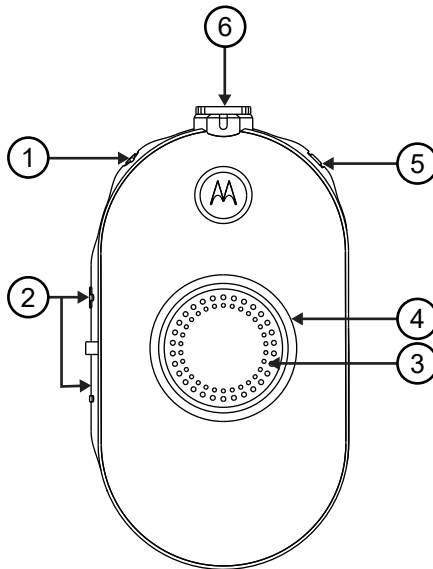
² Aplicável apenas a modelos que não sejam em massa.

Capítulo 1

Visão geral do rádio

Este capítulo explica os botões e as funções para operar o rádio.

Figura 1: Controles do rádio



Número do item	Descrição
1	Botão de alimentação e da bateria
2	Controle de volume (+/-) e botão Silenciar
3	Botão Push-to-Talk (PTT)
4	Anel brilhante de status inteligente
5	Botão Menu
6	Conector de acessório

Capítulo 2

Início

Esta seção ajuda você a se familiarizar com as operações básicas do rádio.

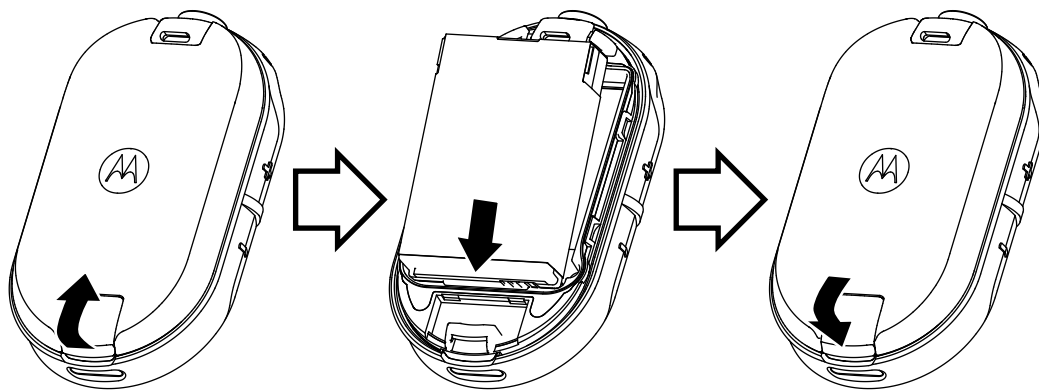
2.1

Instalar a bateria

Procedimento:

- 1 Na parte inferior da porta da bateria, levante a trava para cima e remova a porta da bateria do rádio.
- 2 Alinhe os contatos da bateria com os terminais de contato do compartimento da bateria.
- 3 Insira a extremidade com os contatos da bateria antes de pressionar a bateria para fixá-la no lugar.
- 4 Coloque a porta da bateria no rádio e empurre a trava para baixo para travar a porta da bateria.

Figura 2: Instalação da bateria



2.2

Conexão de acessório de áudio com fio

Pré-requisitos:

Desligue o rádio.

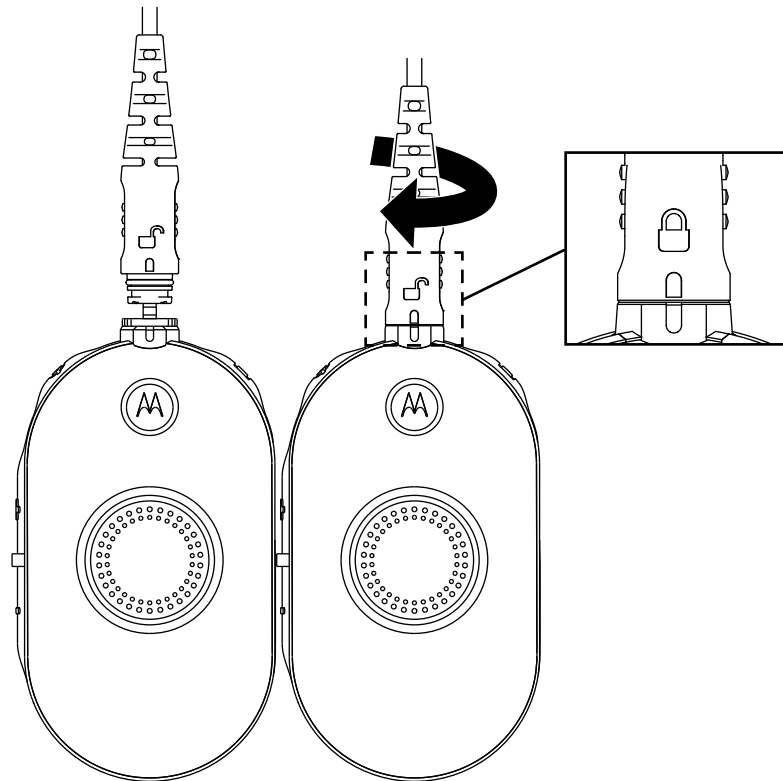
Procedimento:

- 1 Conecte o acessório de áudio no rádio com o ícone de desbloqueio no acessório de áudio voltado para a frente do rádio.

Verifique se o indicador no acessório de áudio e o rádio estão alinhados.

- 2 Gire o plugue do acessório de áudio até que o ícone de trava no plugue esteja voltado para a parte da frente do rádio e os indicadores estejam alinhados.

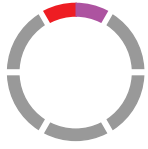
Figura 3: Conexão de acessório de áudio com fio



- 3 Ligue o rádio.
- 4 Para verificar se há áudio no acessório de áudio, pressione o botão **Status da bateria, Menu ou Controle de volume**.

Acima 1: Configuração do LED superior em caso de desconexão ou remoção do acessório de áudio com fio

Modo de usuário	Status do LED	Cor
Ligue o rádio sem um acessório de áudio conectado.	Azul constante	

Modo de usuário	Status do LED	Cor
Acessório de áudio removido enquanto o rádio está ligado.	Pisca em vermelho/roxo até um acessório de áudio ser conectado	



OBSERVAÇÃO:

Abaixe o volume do rádio antes de colocar o acessório de áudio no seu ouvido ou perto dele.

Os rádios da Série CLP oferecem vários acessórios de áudio. Para obter uma lista detalhada de acessórios de áudio, consulte <http://www.motorolasolutions.com/CLP> para obter informações sobre acessórios aprovados.

2.3

Ligar e desligar o rádio

Procedimento:

- 1 Para ligar o rádio, pressione e mantenha pressionado o botão **Alimentação** e **Bateria** até ouvir um tom curto e o Anel Brilhante de Status Inteligente se acende.
- 2 Para desligar o rádio, pressione e mantenha pressionado o botão **Liga/ Bateria** botão até ouvir um tom curto e o Anel Brilhante de Status Inteligente piscar uma vez.

2.4

Ajustar o volume

Procedimento:

- 1 Para aumentar o volume, pressione +.



OBSERVAÇÃO:

O rádio tem 15 incrementos de volume.

- 2 Para diminuir o volume, pressione -.

2.5

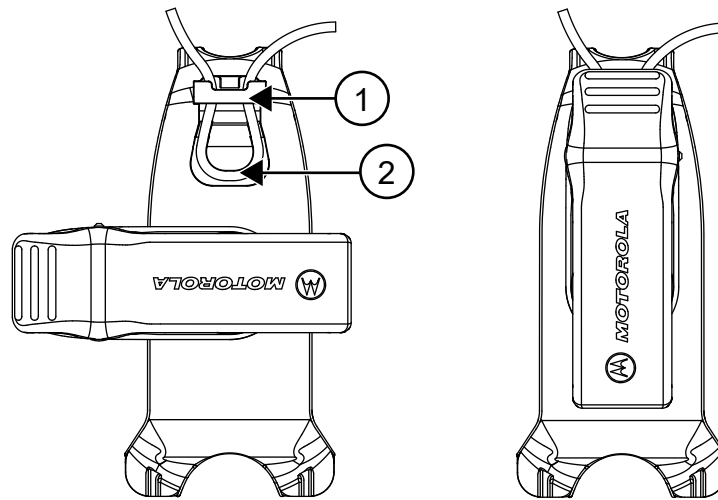
Inserir e remover o estojo do clipe de cinto giratório

Os rádios oferecem vários acessórios de transporte flexíveis. Para obter a lista de acessórios aprovados pela Motorola Solutions, consulte <http://www.motorolasolutions.com/CLP>.

Procedimento:

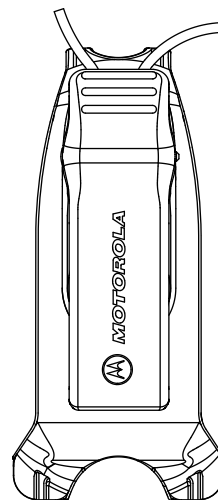
- 1 Para inserir o rádio no estojo, execute as seguintes etapas:
 - a Deslize a parte inferior do rádio no estojo.
 - b Encaixe a parte superior do estojo no rádio ao redor do conector do acessório.
- 2 Para remover o rádio do estojo, puxe a aba superior ou inferior e puxe o rádio do estojo.
- 3 Faça um pequeno laço no cabo e passe o cabo pela guia do cabo. Arrume o cabo na ranhura em forma de U e aperte para travar o cabo no lugar.

Figura 4: Estojo do clipe de cinto giratório



Número do item	Descrição
1	Guia do cabo
2	Ranhura em forma de U

- 4 Gire o clipe de cinto para a posição, conforme necessário.



2.6

Transmissão e recepção

Procedimento:

- 1 Para transmitir chamadas, realize uma das seguintes ações:
 - Pressione e mantenha pressionado o botão **PTT** na parte da frente do rádio.
 - Pressione e mantenha pressionado o botão **PTT** no acessório de áudio com fio com o botão **PTT** alinhado.
- 2 Fale claramente ao microfone do acessório de áudio.

- 3 Solte o botão **PTT** para escutar.
- 4 Para receber chamadas, ouça pelo fone de ouvido e pressione o botão **PTT** para responder.

2.6.1

Alcance da conversação

Acima 2: Alcance da conversação

Localização	Industrial (dentro de construções industriais de aço/concreto)	Vários níveis (Dentro de construções de vários níveis)
Unidade para unidade	Até 9.200 m ² (100.000 ft ²)	Até 10 andares
Com repetidor	Até 23.200 m ² (250.000 ft ²)	Até 20 andares

2.7

Configuração do Menu

Procedimento:

- 1 Para navegar pelas configurações do menu, pressione o botão **Menu**.
- 2 Para sair do menu, pressione brevemente o botão **PTT** ou aguarde três segundos.

2.7.1

Operações usando as configurações de menu

Esta seção explica as operações usando as configurações de menu.



OBSERVAÇÃO:

Não é necessário aguardar a conclusão da mensagem de voz antes de prosseguir com o pressionamento do botão para avançar.

Se você estiver no modo de menu, pressione brevemente o botão **PTT** ou aguarde três segundos para sair do menu.

Procedimento:

- 1 Trocar canal:
 - a Pressione o botão **Menu** para navegar para **Canal**.
 - b Pressione o botão **+** ou **-** para trocar de canal.
- 2 Entrar no Modo de Monitor:
 - a Pressione o botão **Menu** para navegar para **Monitor**.
 - b Pressione o botão **+** para ativar ou o botão **-** para desativar o monitor.
- 3 Entrar no Modo de varredura:
 - a Pressione o botão **Menu** para navegar para **Varredura**.
 - b Pressione o botão **+** para ativar ou o botão **-** para desativar a varredura.
- 4 Enviando tom de chamada:

Ativado pelo Software de programação do cliente (CPS).

 - a Pressione o botão **Menu** para navegar para **Tom de Chamada**.
 - b Pressione o botão **+** ou o botão **-** para enviar o tom de chamada.

2.8

Selecionar canais

Procedimento:







- 1 Pressione o botão **Menu**.
 Você ouvirá um aviso de voz para trocar de canal pressionando o botão **+** ou **-**.
- 2 Selecione o canal desejado.
 O LED indica a cor do novo canal.
- 3 Pressione o botão **PTT** para confirmar, ou o canal será ativado após três segundos de tempo de desconexão.




2.8.1

Configurações de canal padrão para CPS

A tabela descreve as configurações de canal padrão para o Software de programação do cliente (CPS).

Acima 3: Configurações de canal para CPS

Modelos de canal único CLP1010e e CLP1013e			Modelos multicanal CLP1080e e CLP1083e		
Canal	Status do LED	Cor	Canal	Status do LED	Cor
1		Vermelho	1		Vermelho
			2		Verde
			3		Amarelo
			4		Azul
			5		Roxo

Modelos de canal único CLP1010e e CLP1013e			Modelos multicanal CLP1080e e CLP1083e		
Canal	Status do LED	Cor	Canal	Status do LED	Cor
			6		Branco
			7		Aqua
			8		Laranja

2.8.2

Indicadores de LED

Recurso	Indicador de LED
Modo de monitor	Cor sólida por canal.
Tom de chamada	Cor sólida momentânea por canal.
Varredura	Percorre no sentido horário com um LED acendendo uma vez. A cor do LED muda no slot superior quando cada ciclo é concluído.
Ligar ou desligar	Vermelho superior e o LED branco restante se acende rapidamente.
Configuração do rádio avançada	Verde piscando.

2.8.2.1

Volume LED

Quando o volume é aumentado, o LED do Anel Brilhante de Status Inteligente se acende no sentido horário a partir do canto inferior esquerdo até o canto inferior direito do anel de LED.

A seguir estão os três níveis de brilho do LED para cada LED quando o volume é aumentado:

- Brlh
- Médio
- Brilho máximo

2.9

Monitorar canais

Esse recurso permite garantir que haja um canal livre antes de fazer a transmissão. Quando ativado, o rádio desconsidera todas as configurações de código programadas e permite que o receptor ouça em qualquer frequência. Em uma frequência clara, você pode ouvir um chiado. Se uma frequência estiver em uso, você poderá ouvir a transmissão.

Procedimento:

- 1 Para ativar o modo de seleção de monitor, pressione o botão **Menu** e navegue até **Seleção de monitor**.
Se o monitor estiver desativado, você ouvirá um aviso de voz para ativar o modo de monitor pressionando o botão **+** ou **-**.
- 2 Pressione o botão **+** ou **-** para ativar ou desativar o modo de monitor.
Quando o monitor está ligado, será possível ouvir o ruído estático se não houver atividade ou áudio, se a atividade do canal estiver presente.
- 3 Para acionar o modo de monitor, habilite o monitor pelo menu e deixe o tempo limite do menu expirar.
- 4 Para sair do **Modo de Monitor**, pressione o botão **PTT**.

2.10

Varredura

Você pode verificar até oito canais nos modelos CLP1080e e CLP1083e.

Quando o rádio detecta atividade, ele interrompe a varredura e fica no canal ativo. Isso permite que você escute e fale com a pessoa transmitindo sem trocar os canais.

2.10.1

Verificação dos canais de rádio

Procedimento:

- 1 Para navegar para o Modo de varredura, pressione o botão **Menu**.
Se a varredura estiver desativada, você ouvirá um aviso de voz para ativar a Varredura pressionando o botão **+** ou **-**.
- 2 Para ativar a varredura, pressione o botão **+** ou **-**.
Quando a varredura estiver ativada, você ouvirá um aviso de voz para desativar a varredura pressionando o botão **+** ou **-**.
- 3 Para desativar a varredura, pressione o botão **+** ou **-**.

2.11

Varredura dinâmica de Talkaround

Esse recurso maximiza a cobertura da comunicação para um repetidor no site habilitado em sistemas de rádio bidirecional.

A Varredura dinâmica de Talkaround é ativada em um canal de repetidor pelo Software de programação do cliente (CPS). O recurso dá ao rádio a capacidade de verificar as frequências de transmissão e recepção de um canal repetidor.



OBSERVAÇÃO:

O recurso tem prioridade mais alta do que o modo de varredura. Se Varredura dinâmica de Talkaround e Varredura estiverem ativadas no canal inicial, o rádio poderá suportar somente Varredura dinâmica de Talkaround.

2.12

Envio de tons de chamada

Procedimento:

- 1 Para navegar para **Tom de Chamada**, pressione o botão **Menu**.
- 2 Para transmitir um tom de chamada selecionado, pressione **+** ou **-**.



OBSERVAÇÃO:

Seis tons de chamada estão disponíveis.

Esse recurso é habilitado pelo Software de programação do cliente (CPS).

2.13

Como silenciar o rádio

A função Silenciar desliga o alto-falante do rádio.

Procedimento:

- 1 Para abaixar ou silenciar o volume, mantenha pressionado o botão **+** ou **-**.
Você ouvirá um aviso de voz "Silenciar" no rádio.
- 2 Para desativar o som do volume, pressione qualquer botão.
Você ouvirá um aviso de voz "Cancelar mudo" no rádio.

2.14

Escalonar chamada

O recurso Escalonar chamada permite alternar para Escalonar canal de chamada e enviar o tom em Escalonar canal de chamada.

Para habilitar o recurso Escalonar chamada, Escalonar canal de chamada deve ser configurado no CPS (Customer Programming Software, software de programação de cliente). O pressionamento longo do botão de menu ativa a função Escalonar chamada e envia automaticamente o Tom de escalonar chamada em Escalonar canal de chamada. Escalonar tempo de espera de chamada começa após o fim de cada chamada. O rádio permanecerá em Escalonar tempo de espera de chamada por um período predefinido. Escalonar chamada termina quando o tempo de espera expira e o rádio retorna para o canal anterior. O tempo de espera é configurado pelo CPS.

Pressionar o botão **PTT** durante Escalonar tempo de espera de chamada permite que você fale no canal. Escalonar tempo de espera de chamada reinicia após a chamada de voz ser encerrada e você pode receber chamadas de outros rádios em Escalonar canal de chamada.

O rádio segue o comportamento do canal selecionado, exceto o tom de chamada, e não há nenhum anúncio de canal após alternar para Escalonar canal de chamada. O tom de chamada é configurado pelo CPS selecionando um dos seis tons de chamada.

Para sair de Escalonar canal de chamada antes que o tempo de espera termine, pressione brevemente o botão **Ativar**, **Desativar** ou **Menu** ou faça um pressionamento longo do botão **Menu**.

Capítulo 3

Bateria e Carregador

Este capítulo descreve a bateria e a função de carregador do rádio.

3.1

Especificações da bateria

O rádio vem com uma bateria de íons de lítio recarregável. Para garantir o máximo de capacidade e desempenho, a bateria deve ser carregada antes do primeiro uso.

A duração da bateria é determinada por diversos fatores. Os fatores mais importantes são: sobrecarga de bateria e a profundidade média de descarga de cada ciclo. Quanto maior a sobrecarga e mais profunda a descarga média, menos ciclos a bateria dura. Uma bateria que é sobrecarregada e descarregada 100% diversas vezes ao dia dura menos ciclos que uma bateria que recebe menos sobrecarga e é descarregada para 50% por dia. Uma bateria com um mínimo de sobrecarga e média de 25% de descarga dura mais tempo.

As baterias da Motorola Solutions foram criadas especificamente para serem usadas com um carregador da Motorola Solutions e vice-versa. Carregar baterias com equipamentos que não são da Motorola Solutions pode danificar a bateria e anular a garantia. Sempre que possível, mantenha a temperatura da bateria em 25 °C (77 °F, temperatura ambiente). Carregar uma bateria fria (menos de 10 °C [50 °F]) pode resultar em vazamento de eletrólito, danificando a bateria. Carregar uma bateria quente (acima de 35 °C [95 °F]) resulta em capacidade de descarga reduzida, afetando o desempenho do rádio. Os carregadores de bateria de carga rápida da Motorola Solutions contêm um circuito sensor de temperatura para garantir que as baterias estejam dentro dos limites de temperatura.

3.2

Vida útil da bateria

A duração da bateria estimada é de 18 horas com base 5% de transmissão, 5% de recepção e 90% em espera (ciclo de trabalho padrão).

3.3

Reciclar e descartar a bateria

Baterias recarregáveis de íons de lítio podem ser recicladas. No entanto, instalações de reciclagem podem não estar disponíveis em todas as áreas. Conforme várias leis estaduais dos EUA e leis de vários outros países, as baterias devem ser recicladas e não podem ser descartadas em aterros ou incineradores. Entre em contato com a agência local de gerenciamento de resíduos para obter informações e requisitos específicos em sua área. A Motorola Solutions endossa e incentiva totalmente a reciclagem de baterias de íons de lítio.

Nos EUA e no Canadá, a Motorola Solutions participa do programa nacional Call2Recycle para a coleta e reciclagem de baterias. Muitas lojas e revendedores participam desse programa. Para saber o local de coleta mais próximo de você, acesse o site do Call2Recycle em <https://www.call2recycle.org/>, ou ligue para 1-800-8-BATTERY. O site na Internet e o número de telefone oferecem informações úteis relativas às opções de reciclagem para consumidores, empresas e agências do governo.

3.4

Remover a bateria de íons de lítio

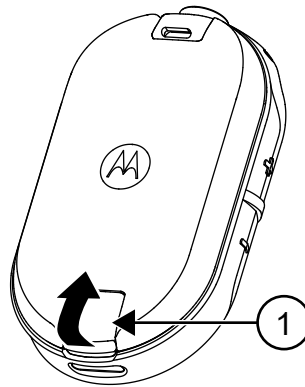
Pré-requisitos:

Certifique-se de que o rádio esteja desligado.

Procedimento:

- 1 Na parte inferior da porta da bateria, levante a trava para cima e remova a porta da bateria do rádio.
- 2 Puxe a bateria para fora do rádio.

Figura 5: Remoção da bateria



Número do item	Descrição
1	Trava da bateria

3.5

Fonte de Alimentação, Adaptador e Carregador de Encaixe

O rádio é embalado com um Carregador de Encaixe com um transformador.

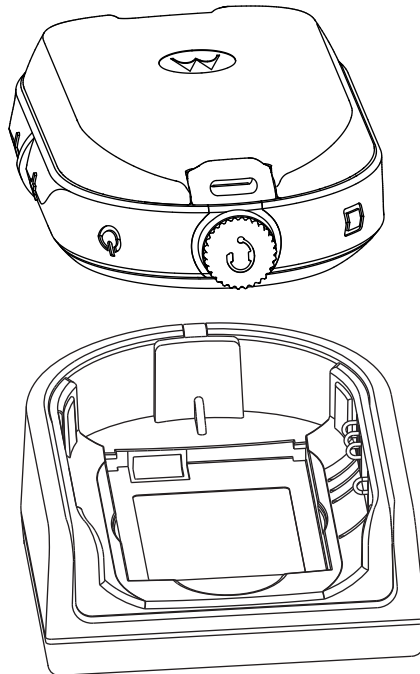


OBSERVAÇÃO:

Aplicável somente a modelos que não são em massa.

Para obter informações sobre acessórios, consulte [Acessórios na página 53](#).

Figura 6: Fonte de Alimentação, Adaptador e Carregador de Encaixe



3.6

Bateria autônoma

A bateria pode ser carregada como uma bateria autônoma.

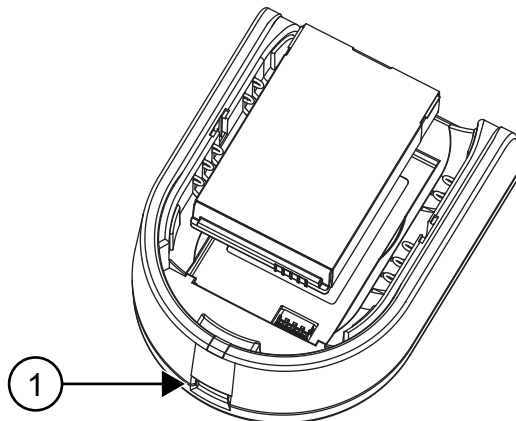
A bateria é carregada usando SUC (Single Unit Charger, carregador para uma unidade) ou um MUC (Multi-Unit Charger, carregador multiunidades).



OBSERVAÇÃO:

Quando adquirir carregadores ou fontes de alimentação adicionais, certifique-se de que você tenha conjuntos de carregadores de bandeja de encaixe e fontes de alimentação similares. Para obter informações sobre acessórios, consulte [Acessórios na página 53](#).

Figura 7: Bateria autônoma



Número do item	Descrição
1	Porta Micro USB

3.6.1

Carregamento de uma bateria autônoma com o SUC de bandeja de encaixe

Procedimento:

- 1 Para carregar a bateria, insira o conector da fonte de alimentação na porta micro USB (Universal Serial Bus, barramento serial universal) na parte da frente do carregador de encaixe.
- 2 Conecte a fonte de alimentação a uma tomada AC adequada.
- 3 Insira a bateria no carregador, com a superfície interna voltada para a frente do carregador. Consulte [Bateria autônoma na página 28](#).
- 4 Certifique-se de que os contatos da bateria estejam encaixados corretamente no carregador.

3.6.2

Carregamento de uma bateria autônoma com o MUC de bandeja de encaixe - Acessório opcional

Procedimento:

- 1 Posicione o carregador em uma superfície plana ou monte-o na parede.
- 2 Insira o conector do cabo de alimentação na entrada do MUC.
- 3 Conecte o cabo a uma tomada AC e, em seguida, ao carregador.
- 4 Insira a bateria no compartimento de carregamento com a superfície interna voltada para a frente do carregador.
- 5 Certifique-se de que os contatos da bateria estejam encaixados corretamente no carregador.

3.6.3

Tempo de carregamento estimado

As tabelas a seguir fornecem o tempo de carga estimado da bateria.

Acima 4: Tempo de carregamento estimado

Solução de carregamento	Bateria de íons de lítio de alta capacidade
Carregador para uma unidade	5,5 horas
Carregador multiunidades	4 horas

3.7

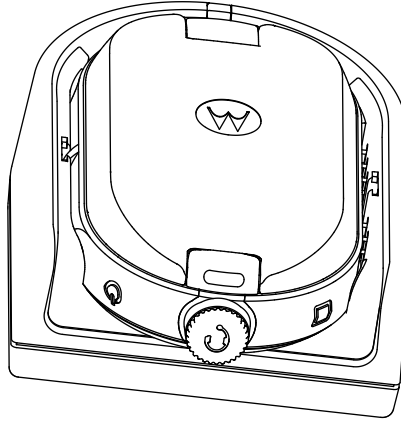
Carregamento de Rádio com o SUC de Bandeja de Encaixe

Procedimento:

- 1 Posicione o SUC (Single Unit Charger, carregador para uma unidade) de Bandeja de encaixe em uma superfície plana.
- 2 Insira o conector da fonte de alimentação na porta Micro USB na localizada na frente do carregador com bandeja de encaixe.

- 3 Conecte a fonte de alimentação correta a uma tomada AC adequada.
- 4 Insira o rádio com a bateria instalada na bandeja, voltado para baixo e verificando se os contatos de carregamento no carregador estão alinhados com os contatos no rádio.

Figura 8: Carregamento do Rádio



OBSERVAÇÃO:

Ao carregar uma bateria acoplada ao rádio, certifique-se de que o rádio esteja desligado. Você pode habilitar ou desabilitar o rádio para desligar automaticamente quando o rádio está inserido na função de carregador pelo CPS (Customer Programming Software, software de programação de cliente).

3.8

Carregamento com o acessório MUC opcional de bandeja de encaixe

O MUC (Multi-Unit Charger, carregador multiunidades) permite o carregamento de até seis rádios. Cada um dos seis compartimentos de carregamento pode receber um rádio com uma bateria instalada. O MUC fornece compartimentos para armazenamento de fone de ouvido.

Procedimento:

- 1 Posicione o carregador em uma superfície plana ou monte-o na parede.
- 2 Insira o conector do cabo de alimentação na entrada do MUC.
- 3 Conecte o cabo a uma tomada AC e, em seguida, ao carregador.
- 4 Desligue o rádio.



OBSERVAÇÃO:

Ao carregar uma bateria conectada ao rádio, verifique se o rádio está desligado. Você pode habilitar ou desabilitar o rádio para desligar automaticamente quando o rádio está inserido na função de carregador pelo Software de programação do cliente (CPS).

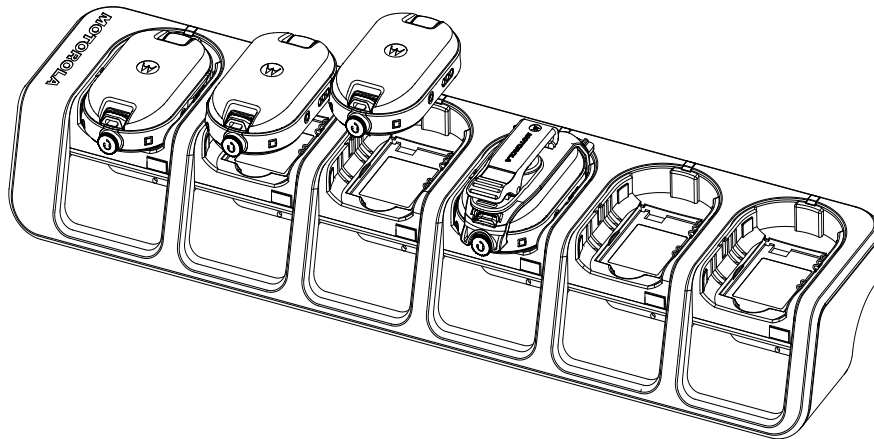
- 5 Insira o rádio voltado para baixo com a bateria instalada no compartimento do carregador, garantindo que os contatos do rádio estejam alinhados com os contatos do MUC.



OBSERVAÇÃO:

A bateria carrega sozinha usando o slot na superfície plana do compartimento de carregamento.

Figura 9: Carregamento de rádios



3.9

Indicadores de LED do carregador

No carregador de encaixe, o compartimento de carregamento de rádio possui um Carregador de LED.

No MUC (Multi-Unit Charger, carregador multiunidades), cada um dos seis encaixes de carregamento tem um LED. Os LEDs são agrupados em pares para indicar quais compartimentos de carregamento estão emparelhados.







OBSERVAÇÃO:

Você pode clonar até dois rádios de origem e dois rádios de destino usando MUC. Para obter mais informações sobre clonagem, consulte [Clonagem de rádio na página 36](#).

Para obter detalhes sobre o número de peça, consulte [Acessórios na página 53](#).

Acima 5: Indicador de LED do carregador

Status	Indicador de LED	
A bateria está carregando	Vermelho estático	
A bateria está totalmente carregada	Verde estático	
Falha de bateria ³	Vermelho piscando	
 OBSERVAÇÃO: O LED fica vermelho quando a bateria está sendo carregada. Ele fica verde quando a bateria está totalmente carregada.		

³ Recoloque o conjunto da bateria para corrigir esse problema.

3.10





Verificar o status da bateria

Procedimento:

Pressione e solte o botão **Alimentação e Bateria**.

Os recursos Anel brilhante de status inteligente e Operação assistida por voz mostram o status da bateria do rádio.

Acima 6: Status da bateria

Nível da bateria	Indicador de LED	Cor
Alto (50 – 100%)		Verde
Médio (20 – 50%)		Amarelo
Baixo (3 – 20%)		Vermelho
Crítico (0 – 3%)		Vermelho piscando

O rádio retorna à cor do canal atual após indicar o status da bateria.

Capítulo 4

Programação de rádio por CPS

Você pode programar ou alterar recursos nos rádios usando o Software de programação do cliente (CPS) e o Cabo de Programação CPS.

O CPS está disponível gratuitamente como software para download baseado na Web em <http://www.motorolasolutions.com/CLP>.

4.1

Programação do rádio

Pré-requisitos:

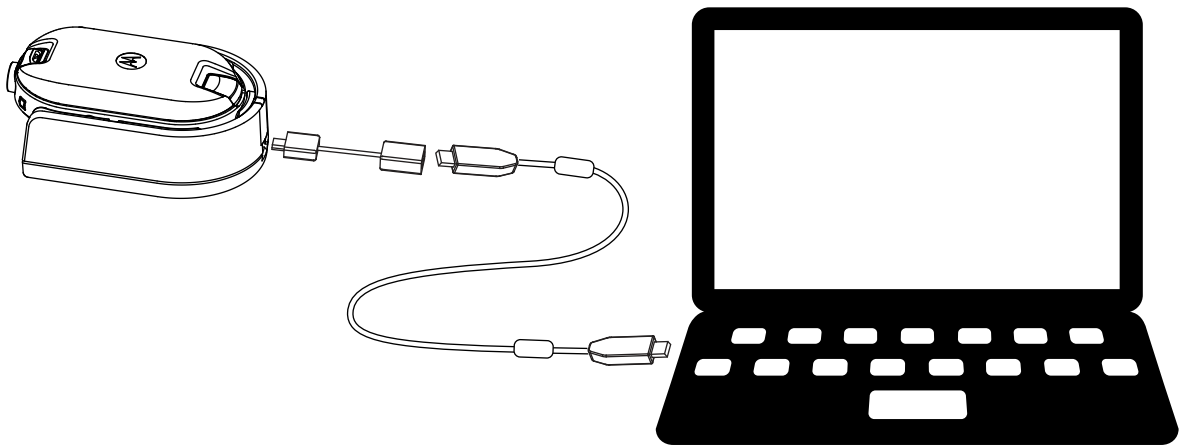
Instale o Software de programação do cliente (CPS).

Verifique se o rádio está ligado.

Procedimento:

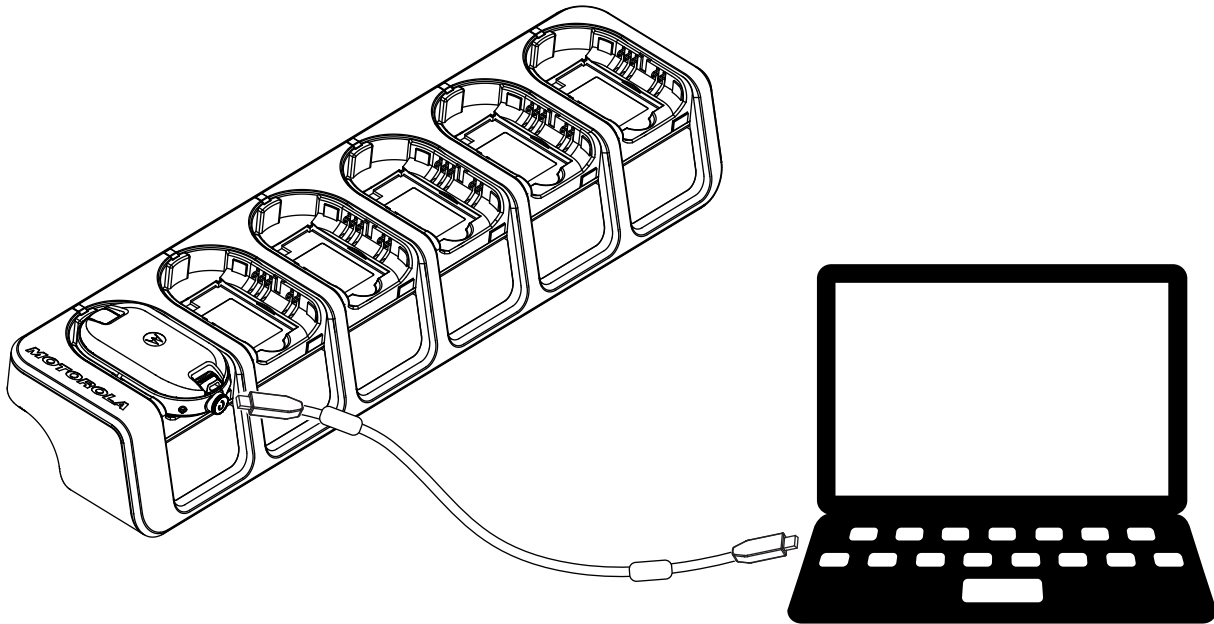
- 1 Conecte o rádio usando o carregador de encaixe ou o compartimento de carregamento com a etiqueta **PROG** no Carregador multiunidades e o Cabo de programação CPS⁴.

Figura 10: Programação do rádio por um carregador para uma unidade



⁴ O Cabo de programação CPS (P/N HKKN4027_) é um acessório vendido separadamente. Entre em contato com seu Ponto de Venda da Motorola Solutions para obter mais informações.

Figura 11: Programação do rádio por um carregador multiunidades



- 2 Defina o interruptor do cabo para analógico.
- 3 Depois que o rádio estiver conectado, abra o CPS e selecione **Ler** na barra de ferramentas para obter o perfil de rádio.

Você pode alterar as configurações gerais, de áudio, de menu, de canais, de lista de varredura, personalizar as configurações de PL/DPL e selecionar frequências e códigos de PL/DPL em cada canal.

- 4 Para salvar as configurações, selecione **Gravar no rádio** na barra de ferramentas.



OBSERVAÇÃO:

Para obter mais informações sobre o CPS, consulte o menu **Ajuda** no CPS.

4.2

Definições padrão de fábrica

O rádio é programado na fábrica com as seguintes configurações.

Acima 7: Configurações padrão de rádio CLP1010e 1W UHF 1 Canal-BRUS

Número do canal	Nº da frequência	Configurações de frequência (MHz)	Valor do código (Hz)	Largura de banda (kHz)
1	2	464.5500	67,0	12,5

Acima 8: Configurações padrão de rádios CLP1080e 1W UHF 8 Canais-BRUS

Número do canal	Configurações de frequência (MHz)	Valor do código (Hz)	Largura de banda (kHz)
1	464.5500	67,0	12,5
2	467,9250	67,0	12,5
3	467.8500	67,0	12,5
4	467,8750	67,0	12,5
5	461.0625	67,0	12,5
6	461.1125	67,0	12,5
7	461.1625	67,0	12,5
8	461.2125	67,0	12,5

Acima 9: Configurações padrão de rádios CLP1013e 1W UHF 1 Canal-BRCAN

Número do canal	Nº da frequência	Configurações de frequência (MHz)	Valor do código (Hz)	Largura de banda (kHz)
1	2	458.6625	67,0	12,5

Acima 10: Configurações padrão de rádios CLP1083e 1W UHF 8 Canais-BRCAN

Número do canal	Configurações de frequência (MHz)	Código PL/DPL (Hz)	Largura de banda (kHz)
1	458.6625	67,0	12,5
2	469.2625	67,9	12,5
3	458.6625	71,9	12,5
4	469.2625	71,9	12,5
5	458.6625	74,4	12,5
6	469.2625	74,4	12,5
7	458.6625	77,0	12,5
8	469.2625	77,0	12,5

Capítulo 5

Clonagem de rádio

Este recurso permite a você clonar configurações do rádio de um rádio para outro.

5.1

Clonagem de configurações do rádio

Você pode copiar as configurações do rádio da origem para outro rádio.

Você pode usar um dos seguintes carregadores de unidade e cabos para clonagem:

- Número de peça do kit do SUC (Single Unit Charger, carregador para uma unidade) Série CLP HKPN4008_⁵ e número de peça do kit do cabo de clonagem Série CLP HKKN4028_ (acessório opcional).
- Número de peça do kit MUC (Multi-Unit Charger, carregador para várias unidades) HKPN4007_ (acessório opcional)

O MUC não precisa estar conectado para a clonagem, mas ambos os rádios requerem baterias carregadas.

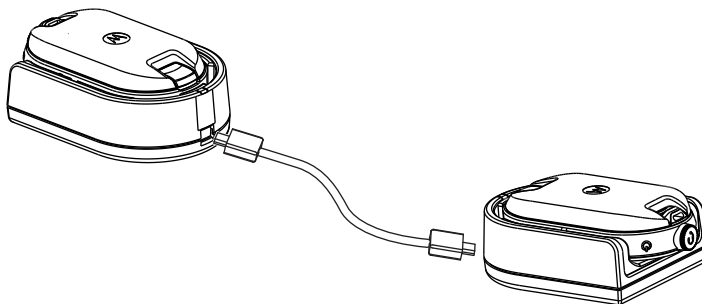
5.2

Clonagem de rádios usando o cabo de clonagem

Pré-requisitos:

- Uma bateria completamente carregada em cada rádio.
- Dois Kits SUC (Single-Unit Charger, carregador para uma unidade).
- Todos os rádios estão desligados.
- Rádio de origem: rádio a ser clonado.
- Rádio de destino: o rádio para o qual a configuração do rádio de origem deve ser copiada.

Figura 12: Clonagem do rádio por um carregador para uma unidade



Procedimento:

- 1 Desconecte quaisquer cabos, como fonte de alimentação ou cabos micro USB, do SUC.

⁵ Revisão C em diante

- 2 Conecte um lado cabo de clonagem micro USB de clonagem a um SUC e o outro lado no segundo SUC.



OBSERVAÇÃO:

Certifique-se de que o switch no cabo de clonagem esteja definido como **Legado**.

Durante o processo de clonagem, nenhuma energia é aplicada ao SUC. As baterias não podem ser carregadas. Uma comunicação de dados é estabelecida entre os dois rádios.

- 3 Ligue o rádio de destino e coloque-o em um dos SUCs.
- 4 Para ligar o rádio de origem, pressione e mantenha pressionado o botão **PTT** e o botão - simultaneamente enquanto liga o rádio, até ouvir o tom de clonagem.
- 5 Para iniciar o processo de clonagem, coloque o rádio de origem no SUC com um acessório de áudio e, em seguida, pressione e libere o botão **Menu**.

Se for bem-sucedido, o rádio de origem emitirá um tom de apito de tecla correta.

Se não tiver sucesso, o rádio de origem emitirá um tom de recusa.

O tom é emitido por no máximo cinco segundos.

- 6 Desative os rádios e reative-os para o modo do usuário saindo do modo clone quando o processo de clonagem for concluído.



OBSERVAÇÃO:

Quando o rádio estiver em modo clone, o recurso **Desligamento automático** não será aplicável.

5.3

Clonagem de rádios usando o carregador multiunidades

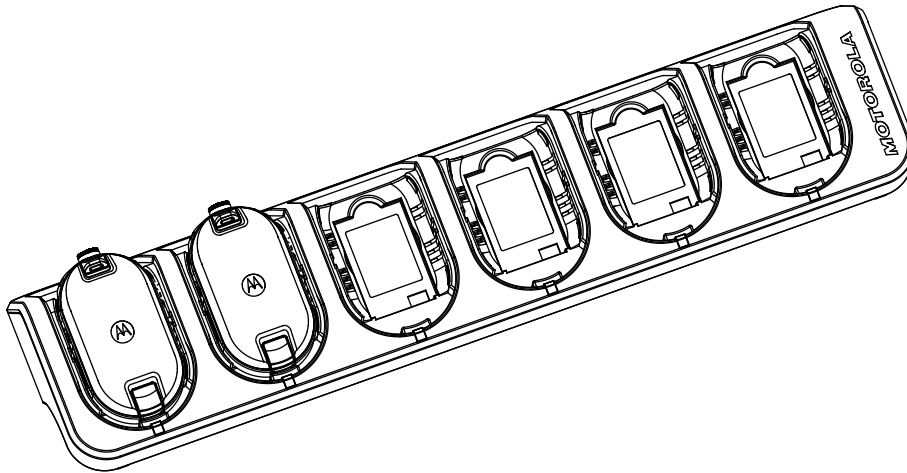
Pré-requisitos:

- Uma bateria completamente carregada em cada rádio.
- MUC (Multi-Unit Charger, carregador multiunidades) Série CLP.
- Todos os rádios estão desligados.
- Rádio de origem: rádio a ser clonado.
- Rádio de destino: o rádio para o qual a configuração do rádio de origem deve ser copiada.

Procedimento:

- 1 Para colocar o rádio de origem em modo clone, pressione e mantenha pressionado o botão **PTT** e - simultaneamente enquanto liga o rádio, até ouvir o tom de clonagem.
- 2 Coloque o rádio de origem em um dos compartimentos de carregamento com a etiqueta **CLONE**.
- 3 Ligue o rádio de destino e coloque-o no compartimento de carregamento de emparelhamento com a etiqueta **CLONE** e inicie o processo de clonagem.
- 4 Para iniciar o processo de clonagem, pressione o botão **Menu** no rádio de origem.
O rádio de origem gera o tom de início de clonagem.
- 5 Para ativar o rádio, desligue e ligue os rádios quando o processo de clonagem estiver concluído.
- 6 Para clonar outro rádio, repita de [etapa 3](#) a [etapa 5](#).
- 7 Para sair do modo clone no rádio de origem, desligue o rádio.

Figura 13: Clonagem do rádio por um carregador multiunidades



5.4

Solução de problemas no modo de clonagem

Quando e onde usar:

A voz audível do rádio anuncia “Bonk”, indicando que o processo de clonagem falhou. Se a clonagem falhar, realize cada uma das etapas a seguir antes de tentar iniciar o processo de clonagem novamente.

Procedimento:

- 1 As baterias em ambos os rádios devem estar totalmente carregadas e corretamente encaixadas.
- 2 Verifique a conexão do cabo de clonagem em ambos os SUCs (Single-Unit Chargers, carregadores para uma unidade).
- 3 Não pode haver detritos na bandeja de carregamento ou nos contatos do rádio, e o contato do rádio deve encostar no contato do SUC/MUC (Multi-Unit Charger, carregador multiunidades) com firmeza.
- 4 Certifique-se de que o rádio de destino esteja ligado.
- 5 Certifique-se de que o rádio de origem esteja no modo de clonagem.
- 6 Os dois rádios devem estar na mesma banda de frequência, na mesma região e ter a mesma potência de transmissão.



OBSERVAÇÃO:

O cabo de clonagem foi projetado para operar apenas com SUCs compatíveis da Motorola Solutions.

Ao encomendar o kit de cabos de clonagem, solicite o kit de cabos de clonagem com o código de peça HKKN4028_. Para obter mais informações sobre os acessórios, consulte [Acessórios na página 53](#).

Capítulo 6

Configuração do rádio avançada

O recurso de Configuração do rádio avançada permite a definição das configurações de uma lista pré-programada sem usar um computador.

O Modo de configuração avançada permite personalizar as seguintes configurações:

- Canais
- Frequências
- Códigos (CTCC/DPL)

Frequências permite selecionar frequências para cada canal. **Códigos** ajuda a minimizar interferências ao fornecer a você uma escolha de combinação de códigos que filtram a estática, o ruído e mensagens indesejadas.

6.1

Entrada no modo de configuração do rádio avançada

Pré-requisitos:

Desligue o rádio.

Procedimento:

- 1 Pressione o botão **PTT**, **+** e **Alimentação** simultaneamente e mantenha pressionado por 3 a 5 segundos até ouvir um som e o aviso de voz *Modo de programação*.
O LED pisca em verde.
- 2 Para selecionar as configurações que deseja alterar, pressione o botão **Menu**.
A seguir estão as configurações que você pode alterar:
 - Canal (para modelo de vários canais)
 - Frequência
 - CódigoOs anúncios de voz indicam itens de menu e suas configurações atuais.
- 3 Para alterar as configurações, pressione o botão **+** ou **-**.
- 4 Para acessar o próximo item de menu, pressione o botão **Menu**.
- 5 Para sair do modo **Configuração de rádio avançada**, mantenha pressionado o botão **PTT** até ouvir um som.

Capítulo 7

Diagnóstico e solução de problemas


A tabela a seguir explica as maneiras de solucionar problemas se o sintoma ocorrer.


7.1

Sintoma e soluções

Procedimento:

1

Se...	Então...
Sem energia	Recarregar ou substituir a bateria de íon de lítio.  OBSERVAÇÃO: Temperaturas operacionais extremas podem afetar a duração da bateria. Consulte Especificações da bateria na página 26 .
Ouvir outros ruídos ou conversações em um canal	A Frequência ou o Código Eliminator de Interferência pode estar em uso. Execute uma das seguintes ações: <ul style="list-style-type: none">• Confirme se o Código Eliminator de Interferência está definido.• Altere as frequências ou as configurações de códigos em todos os rádios.• Certifique-se de que o rádio esteja na frequência e no código certos ao transmitir.
Mensagem embaralhada	O Código de Embaralhamento pode estar ativado ou a configuração não corresponde às outras configurações do rádio. Altere as configurações pelo Software de programação do cliente (CPS).
A qualidade de áudio não é boa o suficiente	As configurações do rádio podem não estar coincidindo corretamente. Verifique as frequências, os códigos e as larguras de banda para garantir que as configurações sejam as mesmas em todos os rádios.
Alcance limitado da conversação	Execute uma das seguintes ações:

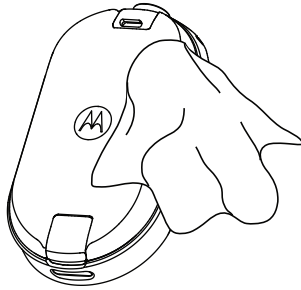
Se...	Então...
	<ul style="list-style-type: none"> • Verifique se há uma linha de visão limpa para melhorar a transmissão. Evite ficar perto de estruturas de aço ou de concreto, vegetação densa, construções ou veículos. • Altere o local do rádio. • Para aumentar o alcance e cobertura, você pode reduzir obstruções ou aumentar a potência. Os rádios UHF fornecem maior cobertura em construções industriais e comerciais. O aumento da potência fornece maior alcance do sinal e mais penetração pelas obstruções.
Mensagem não transmitida ou recebida	<p>Execute uma das seguintes ações:</p> <ul style="list-style-type: none"> • Certifique-se de que o botão PTT esteja completamente pressionado ao transmitir. • Confirme se os rádios têm as mesmas configurações de Canal, Frequência, Código eliminador de interferência e Código de embaralhamento. Consulte Transmissão e recepção na página 19. • Recarregue, substitua ou reposicione as baterias. Consulte Especificações da bateria na página 26. • Altere o posicionamento do rádio. Obstruções e operação em ambiente interno ou em veículos podem interferir. • Verifique se o rádio não está no Modo de Varredura. Consulte Verificação dos canais de rádio na página 23.
Som estático ou interferência	<p>Os rádios estão muito próximos. Verifique se os rádios transmissores e receptores estão a pelo menos 1,5 m (5 pés) de distância.</p> <p>Os rádios estão muito longe ou obstáculos estão interferindo com a transmissão.</p>
Baterias fracas	<p>Recarregar ou substituir a bateria de íon de lítio.</p> <p> OBSERVAÇÃO: Temperaturas operacionais extremas afetam a duração da bateria.</p> <p>Consulte Especificações da bateria na página 26.</p>

Se...	Então...
A luz LED do carregador de encaixe não pisca	<p>Execute uma das seguintes ações:</p> <ul style="list-style-type: none">• Verifique se o rádio e a bateria estão inseridos corretamente.• Verifique se os contatos da bateria e do carregador estão limpos e se o pino de carregamento foi inserido corretamente. <p>Consulte Carregamento de uma bateria autônoma com o SUC de bandeja de encaixe na página 29 e Indicadores de LED do carregador na página 31.</p>
A bateria não carrega, embora tenha sido colocada no carregador de encaixe há um tempo	<p>Execute uma das seguintes ações:</p> <ul style="list-style-type: none">• Verifique se o carregador de encaixe está conectado corretamente e corresponde a uma fonte de alimentação compatível. Consulte Carregamento de uma bateria autônoma com o SUC de bandeja de encaixe na página 29.• Verifique os indicadores de LEDs do carregador para ver se a bateria está com um problema. Consulte Indicadores de LED do carregador na página 31.

Capítulo 8

Uso e cuidados

Este capítulo explica a manutenção do rádio.



Use um pano macio para limpar a parte externa

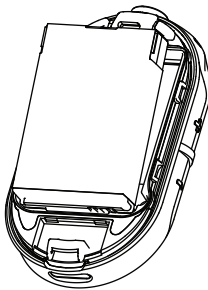


Não mergulhe na água

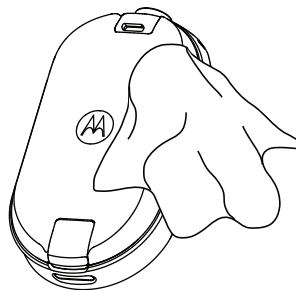


Não use álcool ou soluções de limpeza

Se o rádio estiver submerso em água:



Desligue o rádio e remova as baterias



Seque com um pano macio



Não use o rádio até ele secar completamente.



OBSERVAÇÃO:

O rádio é IP54 somente quando a tampa de proteção contra poeira ou o acessório de áudio está conectado ao conector.

Capítulo 9

Frequência de rádio e gráfico de código

As tabelas a seguir mostram as informações de frequência e são úteis quando usar rádios bidirecionais Motorola Solutions Série CLP com outros rádios comerciais.

As posições de frequência são, em sua maioria, as mesmas posições de frequência das Séries M, GT, S, XTN, RDX e CLS, as larguras de banda são diferentes.

9.1

Lista de Frequência e Largura de Banda do Canadá

Acima 11: Lista de Frequência e Largura de Banda

Freq nº	Configurações de Frequência (MHz)	Largura de banda (kHz)
1	458.6625	12,5
2	469.2625	12,5

9.2

Frequências CLP

Acima 12: Frequências CLP UHF

Freq nº	Freq (MHz)	Largura de banda (kHz)	Freq nº	Freq (MHz)	Largura de banda (kHz)
1	464.5000	12,5	46	466.3375	12,5
2	464.5500	12,5	47	466.3625	12,5
3	467.7625	12,5	48	467.7875	12,5
4	467.8125	12,5	49	467.8375	12,5
5	467.8500	12,5	50	467.8625	12,5
6	467.8750	12,5	51	467.8875	12,5
7	467.9000	12,5	52	467.9125	12,5
8	467.9250	12,5	53	469.4875	12,5
9	461.0375	12,5	54	469.5125	12,5
10	461.0625	12,5	55	469.5375	12,5
11	461.0875	12,5	56	469.5625	12,5
12	461.1125	12,5	57	462.1875	12,5
13	461.1375	12,5	58	462.4625	12,5
14	461.1625	12,5	59	462.4875	12,5

Freq nº	Freq (MHz)	Largura de banda (kHz)	Freq nº	Freq (MHz)	Largura de banda (kHz)
15	461.1875	12,5	60	462.5125	12,5
16	461.2125	12,5	61	467.1875	12,5
17	461.2375	12,5	62	467.4625	12,5
18	461.2625	12,5	63	467.4875	12,5
19	461.2875	12,5	64	467.5125	12,5
20	461.3125	12,5	65	451.1875	12,5
21	461.3375	12,5	66	451.2375	12,5
22	461.3625	12,5	67	451.2875	12,5
23	462.7625	12,5	68	451.3375	12,5
24	462.7875	12,5	69	451.4375	12,5
25	462.8125	12,5	70	451.5375	12,5
26	462.8375	12,5	71	451.6375	12,5
27	462.8625	12,5	72	452.3125	12,5
28	462.8875	12,5	73	452.5375	12,5
29	462.9125	12,5	74	452.4125	12,5
30	464.4875	12,5	75	452.5125	12,5
31	464.5125	12,5	76	452.7625	12,5
32	464.5375	12,5	77	452.8625	12,5
33	464.5625	12,5	78	456.1875	12,5
34	466.0375	12,5	79	456.2375	12,5
35	466.0625	12,5	80	456.2875	12,5
36	466.0875	12,5	81	468.2125	12,5
37	466.1125	12,5	82	468.2625	12,5
38	466.1375	12,5	83	468.3125	12,5
39	466.1625	12,5	84	468.3625	12,5
40	466.1875	12,5	85	468.4125	12,5
41	466.2125	12,5	86	468.4625	12,5
42	466.2375	12,5	87	468.5125	12,5
43	466.2625	12,5	88	468.5625	12,5
44	466.2875	12,5	89	468.6125	12,5
45	466.3125	12,5	90	468.6625	12,5

9.3

Códigos Eliminadores de Interferência CTCSS/DPL

Acima 13: Códigos Eliminadores de Interferência CTCSS/DPL

CTCSS	Código	CTCSS/ DPL	Códi go	DPL	Códi go	DPL	Códi go	DPL	Códi go
0	Desabilita do	24	151,4	47	54	71	243	95	445
1	67,0	25	156,7	48	65	72	244	96	464
2	71,9	26	162,2	49	71	73	245	97	465
3	74,4	27	167,9	50	72	74	251	98	466
4	77,0	28	173,8	51	73	75	261	99	503
5	79,7	29	179,9	52	74	76	263	100	506
6	82,5	30	186,2	53	114	77	265	101	516
7	85,4	31	192,8	54	115	78	271	102	532
8	88,5	32	203,5	55	116	79	306	103	546
9	91,5	33	210,7	56	125	80	311	104	565
10	94,8	34	218,1	57	131	81	315	105	606
11	97,4	35	225,7	58	132	82	331	106	612
12	100,0	36	233,6	59	134	83	343	107	624
13	103,5	37	241,8	60	143	84	346	108	627
14	107,2	38	250,3	61	152	85	351	109	631
15	110,9	122	69,3	62	155	86	364	110	632
16	114,8	39	23,0	63	156	87	365	111	654
17	118,8	40	25,0	64	162	88	371	112	662
18	123,0	41	26,0	65	165	89	411	113	664
19	127,3	42	31,0	66	172	90	412	114	703
20	131,8	43	32,0	67	174	91	413	115	712
21	136,5	44	43,0	68	205	92	423	116	723
22	141,3	45	47,0	69	223	93	431	117	731
23	146,2	46	51,0	70	226	94	432	118	732
								119	734

Acima 14: Códigos Eliminadores de Interferência CTCSS/DPL (Continuação)

DPL	Código	DPL	Código	DPL	Código	DPL	Código
120	743	146	DPL 55 invertida	171	DPL 80 invertida	195	DPL 104 invertida
121	754	147	DPL 56 invertida	172	DPL 81 invertida	196	DPL 105 invertida

DPL	Código	DPL	Código	DPL	Código	DPL	Código
123	645	148	DPL 57 invertida	173	DPL 82 invertida	197	DPL 106 invertida
124	PL persona lizado	149	DPL 58 invertida	174	DPL 83 invertida	198	DPL 107 invertida
125	PL persona lizado	150	DPL 59 invertida	175	DPL 84 invertida	199	DPL 108 invertida
126	PL persona lizado	151	DPL 60 invertida	176	DPL 85 invertida	200	DPL 109 invertida
127	PL persona lizado	152	DPL 61 invertida	177	DPL 86 invertida	201	DPL 110 invertida
128	PL persona lizado	153	DPL 62 invertida	178	DPL 87 invertida	202	DPL 111 invertida
129	PL persona lizado	154	DPL 63 invertida	179	DPL 88 invertida	203	DPL 112 invertida
130	DPL 39 invertid a	155	DPL 64 invertida	180	DPL 89 invertida	204	DPL 113 invertida
131	DPL 40 invertid a	156	DPL 65 invertida	181	DPL 90 invertida	205	DPL 114 invertida
132	DPL 41 invertid a	157	DPL 66 invertida	181	DPL 90 invertida	206	DPL 115 invertida
133	DPL 42 invertid a	158	DPL 67 invertida	182	DPL 91 invertida	207	DPL 116 invertida
134	DPL 43 invertid a	159	DPL 68 invertida	183	DPL 92 invertida	208	DPL 117 invertida
135	DPL 44 invertid a	160	DPL 69 invertida	184	DPL 93 invertida	209	DPL 118 invertida
136	DPL 45 invertid a	161	DPL 70 invertida	185	DPL 94 invertida	210	DPL 119 invertida
137	DPL 46 invertid a	162	DPL 71 invertida	186	DPL 95 invertida	211	DPL 120 invertida

DPL	Código	DPL	Código	DPL	Código	DPL	Código
138	DPL 47 invertida	163	DPL 72 invertida	187	DPL 96 invertida	212	DPL 121 invertida
139	DPL 48 invertida	164	DPL 73 invertida	188	DPL 97 invertida	213	DPL 123 invertida
140	DPL 49 invertida	165	DPL 74 invertida	189	DPL 98 invertida	214	DPL personalizado
141	DPL 50 invertida	166	DPL 75 invertida	190	DPL 99 invertida	215	DPL personalizado
142	DPL 51 invertida	167	DPL 76 invertida	191	DPL 100 invertida	216	DPL personalizado
143	DPL 52 invertida	168	DPL 77 invertida	192	DPL 101 invertida	217	DPL personalizado
144	DPL 53 invertida	169	DPL 78 invertida	193	DPL 102 invertida	218	DPL personalizado
145	DPL 54 invertida	170	DPL 79 invertida	194	DPL 103 invertida	219	DPL personalizado

Capítulo 10

Garantia Limitada da Motorola Solutions para os Estados Unidos e o Canadá

10.1

Garantia

Sujeita às exclusões contidas abaixo, a Motorola Solutions, Inc. garante que seus rádios bidirecionais estejam livres de defeitos de materiais e fabricação sob uso normal do consumidor durante o(s) período(s) descrito(s).

Esta garantia limitada é o único recurso do cliente e se aplica aos novos Produtos, Acessórios e Software Motorola Solutions adquiridos pelos clientes nos países da América Latina e que incluem esta garantia por escrito.

10.2

Produtos e acessórios

A tabela mostra a duração da cobertura de produtos e acessórios.

Acima 15: Produtos e acessórios

Produtos cobertos	Duração da garantia
Produtos e acessórios conforme definido acima, salvo indicação contrária para o seguinte	Um (1) ano a partir da data da compra pelo primeiro comprador que adquiriu o produto, a menos que especificado de outro modo a seguir.
Acessórios e capas decorativas. Capas e tampas decorativas, capas e estojos PhoneWrap™	Garantia vitalícia limitada pela duração da propriedade do primeiro comprador do produto.
Acessórios de rádio bidirecional comercial	Um (1) ano a partir da data da compra pelo primeiro comprador do produto.
Produtos e acessórios que são consertados ou substituídos	O remanescente da garantia original ou de 90 dias a partir da data de retorno ao consumidor, o que for maior.
Rádio bidirecional	Dois (2) anos a partir da data da compra pelo primeiro comprador do produto.

10.3

Exclusões

Desgaste normal

A manutenção periódica, o reparo e a substituição de peças devido ao desgaste normal estão excluídos da cobertura.

Baterias

Somente baterias cuja capacidade de carga total esteja abaixo de 80% da capacidade nominal e baterias com vazamentos são cobertas por esta garantia limitada.

Uso abusivo e indevido

Defeitos ou danos resultantes de:

- operação inadequada, armazenamento, uso abusivo ou indevido, acidente ou negligência, como danos físicos (rachaduras, arranhões etc.) na superfície do produto resultantes de uso indevido
- contato com líquido, água, chuva, umidade extrema ou transpiração intensa, areia, sujidade ou semelhantes, calor extremo ou alimentos
- uso dos produtos ou acessórios para fins comerciais ou submeter o produto ou acessório a uso ou condições anormais
- outros atos que não são culpa da Motorola Solutions estão excluídos da cobertura.

Uso de produtos e acessórios que não sejam originais da Motorola Solutions

Defeitos ou danos resultantes do uso de produtos, acessórios ou software ou outros equipamentos periféricos não certificados ou sem a marca original Motorola Solutions estão excluídos da cobertura.

Serviço ou modificação não autorizados

Defeitos ou danos resultantes de serviços, testes, ajustes, instalações, manutenções, alterações ou modificações de qualquer tipo não efetuados pela Motorola Solutions ou pelos centros de serviço autorizados Motorola estão excluídos da garantia.

Produtos alterados

Produtos ou acessórios com:

- números de série ou etiquetas de data que foram removidas, alteradas ou suprimidas
- selos quebrados ou que mostram evidências de adulteração
- números de série da placa não correspondem
- caixas, ou peças não conformes ou que não sejam da Motorola Solutions estão excluídas da cobertura

Serviços de comunicação

Defeitos, danos ou falhas em produtos, acessórios ou software devido a algum serviço de comunicação ou sinal que você possa ter assinado ou possa usar com os produtos, acessórios ou software estão excluídos da garantia.

10.4

Software**Acima 16: Tabela de garantia de software**

Produtos cobertos	Duração da garantia
Software Aplica-se somente a defeitos físicos na mídia que inclui a cópia do software.	90 dias a partir da data da compra.

Exclusões**Software incorporado à mídia física**

A garantia não assegura que o software atenderá aos seus requisitos ou funcionará corretamente com quaisquer aplicativos de hardware ou software fornecidos por terceiros, que a operação

do software não apresentará interrupções ou erros ou que todos os defeitos do software serão corrigidos.

Software não incorporado à mídia física

O software não incluído na mídia física (por exemplo, software baixado da Internet) é fornecido “no estado em que se encontra” e sem garantia.

10.5

Cobertura da garantia

Esta garantia se estende somente ao primeiro comprador consumidor e não é transferível.

10.6

Garantia e Suporte de Serviço

A Motorola Solutions tem a opção de reparar ou substituir produtos ou softwares que não estejam em conformidade com a garantia ou reembolsar o preço dos produtos adquiridos sem custo.

Podemos usar Produtos ou peças restaurados/reformados/novos/usados funcionalmente equivalentes. Não são fornecidas atualizações de software.

10.7

Guarde o Comprovante de Compra Original

A Motorola Solutions enviará os Produtos reparados ou substituídos, com custos de frete e seguro por nossa conta, mas custos referentes a quaisquer obrigações por sua conta.

Se forem necessárias mais informações, entre em contato com seu ponto de compra Motorola Solutions.

10.8

Como obter o serviço de garantia ou outras informações

Entre em contato com o seu ponto de compras da Motorola Solutions.

- 1-800-448-6686 nos EUA
- 1-800-461-4575 no Canadá
- 1-866-522-5210 no seu TTY (teletexto)

Você deve nos enviar os Produtos com frete, encargos e seguro pré-pagos. Juntamente com os Produtos, você deve incluir:

- uma cópia do recibo, fatura de venda ou outro comprovante de compra equivalente
- uma descrição por escrito do problema
- o nome do prestador do serviço (se o produto precisar de serviço de rádio)
- o nome e o local de instalação (se aplicável) e, o mais importante
- seu endereço e número de telefone. Se for solicitado, será necessário devolver todas as partes que podem ser desconectadas como antenas, baterias e carregadores.

10.9

Aviso de Direitos Autorais do Software

Os produtos da Motorola Solutions descritos neste manual podem incluir programas de computador da Motorola Solutions protegidos por direitos autorais, armazenados em memórias de semicondutores ou em outras mídias. As leis dos Estados Unidos e de outros países reservam à Motorola Solutions determinados direitos exclusivos sobre programas de computador protegidos por direitos autorais,

incluindo, entre outros, o direito exclusivo de copiar ou reproduzir, de qualquer forma, o programa protegido por direitos autorais. Conseqüentemente, nenhum programa de computador da Motorola Solutions protegido por direitos autorais contido nos produtos da Motorola Solutions descritos neste manual pode ser copiado, reproduzido, modificado, alvo de engenharia reversa ou distribuído sob qualquer forma, sem o consentimento expresso, por escrito, da Motorola Solutions.

Além disso, a compra de produtos Motorola Solutions não confere, direta ou implicitamente, por preclusão ou qualquer outra forma, licenças sob direitos autorais, patentes ou aplicativos patenteados pela Motorola Solutions, exceto a licença normal, não exclusiva para utilização lícita decorrente da venda do produto conforme determina a lei.

10.10

Aviso de patente

Este produto está protegido por uma ou mais das seguintes patentes dos Estados Unidos.

5896277 5894292 5864752 5699006 5742484 D408396 D399821 D387758 D389158 5894592
5893027 5789098 5734975 5861850 D395882 D383745 D389827 D389139 5929825 5926514
5953640 6071640 D413022 D416252 D416893 D433001

10.11

Garantias da lei de exportação

Este produto é controlado de acordo com os regulamentos de exportação dos Estados Unidos da América. O governo dos Estados Unidos da América pode restringir a exportação ou reexportação deste produto para determinados destinos.

Para obter mais informações, entre em contato com o Departamento de Comércio dos EUA.

Capítulo 11

Acessórios

Acima 17: Acessórios de áudio

Nº de peça	Descrição
PMLN8077_	Fone intra-auricular sobre a orelha, pino único
PMLN8125_	Fone intra-auricular sobre a orelha, pino único, fio curto
PMLN8190_	Fone intra-auricular para vigilância, pino único

Acima 18: Baterias

Nº de peça	Descrição
HKNN4013_	Bateria de íons de lítio de alta capacidade
PMLN8066_	Tampa da bateria de íons de lítio de alta capacidade CLPe

Acima 19: Acessórios de transporte

Nº de peça	Descrição
PMLN8064_	Estojo magnético série CLPe
PMLN8065_	Capa do clipe giratório para cinto série CLP

Acima 20: Carregadores

Nº de peça	Descrição
HKPN4007_	Kit do carregador para várias unidades (MUC) série CLP
HKPN4008_ ⁶	Kit do carregador para uma unidade (SUC) série CLP
PMPN4020_	Kit do carregador para várias unidades (MUC) série CLP

Acima 21: Cabos de programação

Nº de peça	Descrição
HKKN4027_	Cabo CPS Série CLP
HKKN4028_	Cabo de clonagem série CLP

Contatos

Para dúvidas relacionadas ao produto, entre em contato com:

⁶ Revisão C em diante

- 1-800-448-6686 nos EUA
- 1-800-461-4575 no Canadá
- 1-866-522-5210 no seu TTY (teletexto)